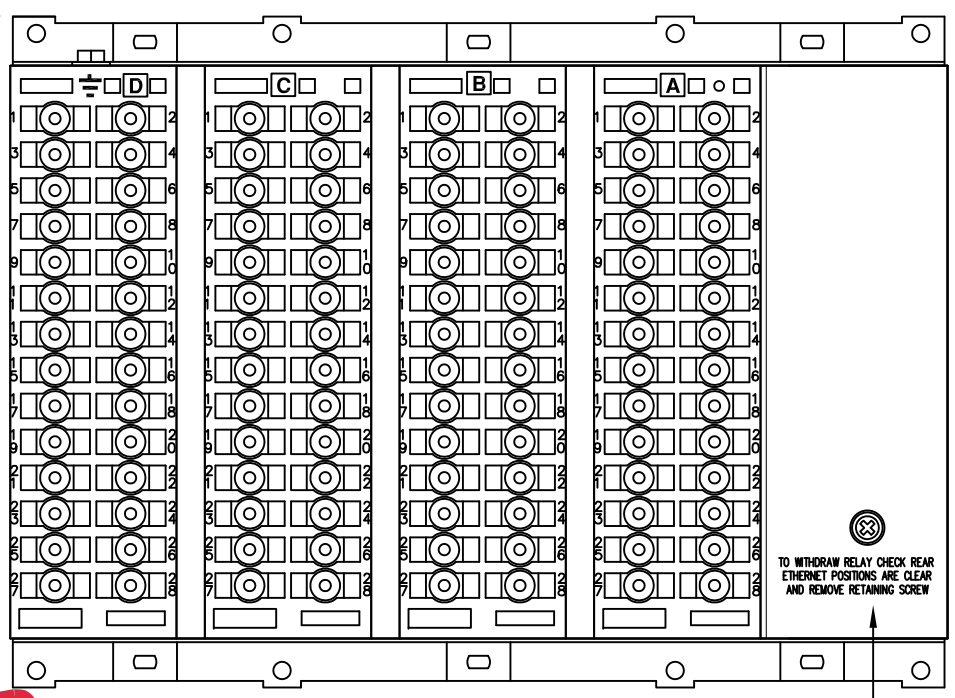
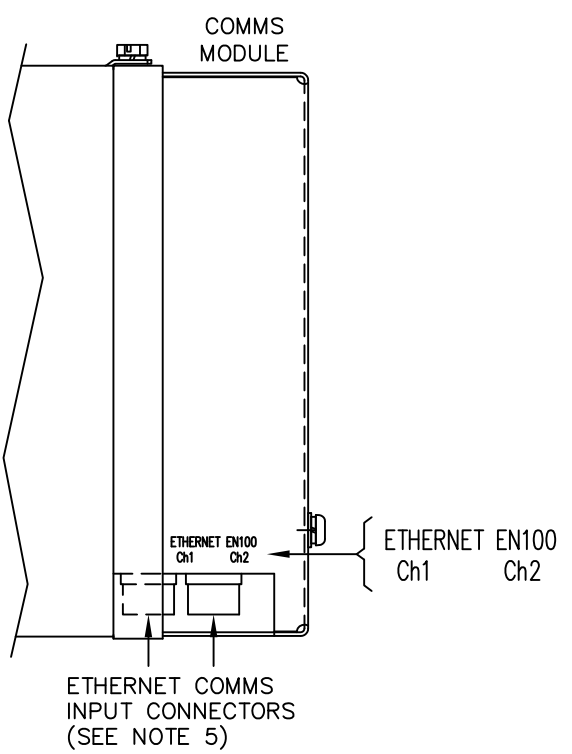


IF IN DOUBT ASK
DO NOT SCALE



RELAY VIEWED FROM REAR

TO WITHDRAW RELAY CHECK REAR
ETHERNET POSITIONS ARE CLEAR
AND REMOVE RETAINING SCREW



PART SIDE VIEW ON ARROW 'A'

NOTES

- TERMINALS RECOMMENDED ARE PRE-INSULATED & MUST BE CRIMPED USING APPROVED TOOLING. AMP PIDG OR PLASTI GRIP FUNNEL ENTRY (RING TONGUE) FOR M4 FIXING STUD.
- FOR OUTLINE & PANEL DRILLING, SEE 2995X10021 (A4).
- CONNECTIONS TO THIS COMMUNICATIONS FACILITY IS BY SCREENED, TWISTED PAIR CABLE, ON SITE. WHEN WIRING OTHER FACILITIES ENSURE THAT THESE TERMINALS ARE NOT OBSCURED BY OTHER WIRE RUNS.
- CONTACTS SHOWN THUS ARE INTERNAL RELAY CASE ASSEMBLY AND CLOSE WHEN THE RELAY CHASSIS IS WITHDRAWN FROM THE CASE.
- THE ETHERNET PORTS CAN BE EITHER - 2xFIBRE OPTIC, DUPLEX CONNECTORS OR 2xELECTRICAL, RJ45 CONNECTORS.

SUPPLIER	PART NUMBER	CABLE SIZE
AMP	342103	0.25-1.6mm ²
AMP	342143	1.0-2.6mm ²

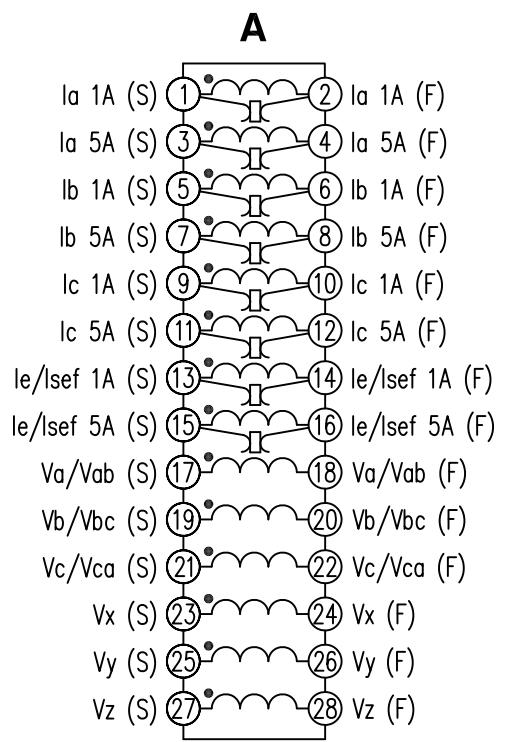
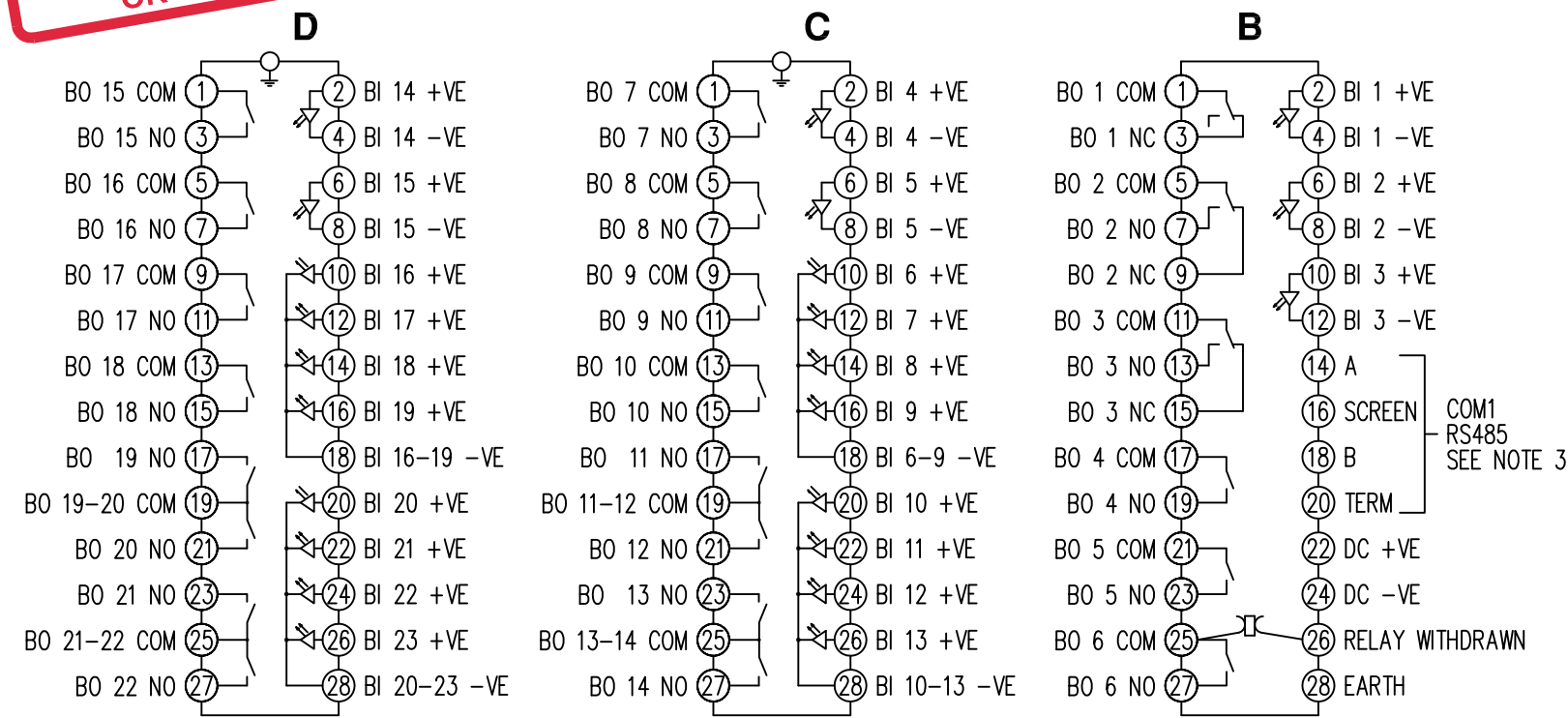
OR ANY OTHER MANUFACTURERS EQUIVALENT TERMINAL.

**NOT SUBJECT TO UPDATE
ONCE COPIED / PRINTED
OR DOWNLOADED**

ABBREVIATIONS	
I-	CURRENT INPUTS
V-	VOLTAGE INPUTS
BI-	BINARY INPUTS
BO-	BINARY OUTPUTS
CO-	CHANGE OVER BINARY OUTPUT CONTACTS
NO-	NORMALLY OPEN BINARY OUTPUT CONTACTS
NC-	NORMALLY CLOSED BINARY OUTPUT CONTACTS

SERIAL PORT IDENTIFICATION	
COM1	RS485 (ON BLOCK 'B' TERMINALS 14,16,18 & 20)
COM2	USB TYPE 'B' PORT (ON RELAY FRONT LABEL)

ETHERNET PORT IDENTIFICATION	
Ch1	ETHERNET PORT (ON REAR COMMS MODULE)
Ch2	ETHERNET PORT (ON REAR COMMS MODULE)



MATERIAL:

Dimensions in millimetres : Surface texture in micrometres.
Machine where marked ✓
For explanation of dimensions, tolerances, notes etc. see B.S.308.
Limit on untoleranced unmachined dimensions ± _____
Limits on untoleranced machined dimensions to B.S.4500;
i.e. up to 6±0.1; over 30 to 120±0.3; over 315±0.8;
over 6 to 30±0.2; over 120 to 315±0.5;
General unmachined angular tolerance ± _____

Finish: _____
Treatment: _____

Title:
7SR224 E10 TERMINAL ID & WIRING DIAGRAM
4I,6V,23BI,2CO,19NO,1NC, RS485 & ETHERNET(X2) COMMS

SIEMENS PROTECTION DEVICES LTD.

Original Scale:
NTS

First used on: _____
Similar Articles: _____
Supersedes: _____
Drg. No.
2435W40038

2 RDW	25/07/11	61850 COMMS ADDED MN3444 KB 3J1139
1	19/05/09	3J0629
ISSUE	DATE	CHANGE NOTED