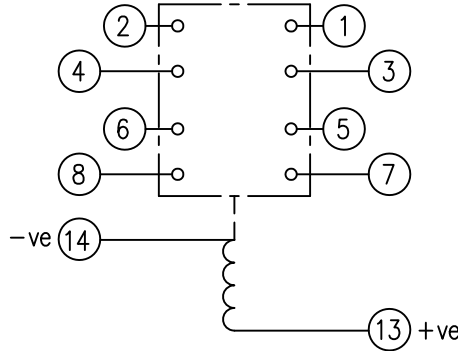


LOOKING ON FRONT OF RELAY

2112W50027



**NOT SUBJECT TO UPDATE  
ONCE COPIED / PRINTED  
OR DOWNLOADED**

**NOTE:**

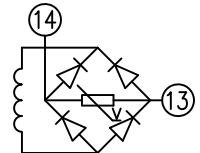
1. HEAVY DUTY CONTACTS ARE FITTED WITH BLOWOUT MAGNETS AND ARE POLARITY CONSCIOUS. SEE TABLE BELOW FOR +VE TERMINAL.

**KEY**

- make contact
- break contact
- c/o contact
- ext. conn
- plug bridge - shorting
- metering point
- 5Kv barrier
- test socket - shorting
- plug & socket

CONTACT CONFIG.	OUTPUT CONTACT PAIR / TERMINAL No.					
	1-3	2-4	5-7	6-8	9-11	10-12
4M	M	M	M	M		
3M 1B	M	B	M	M		
2M 2B	B	B	M	M		
1M 3B	B	B	M	B		
4B	B	B	B	B		
1M(HD) 2M(STD) 1B(STD)	M+	M	M	B		
1M(HD) 1M(STD) 2B(STD)	B	B	M+	M		
3M(HD) 1B(HD)	M+	M+	M+	+B		
4M(HD)	M+	M+	M+	M+		

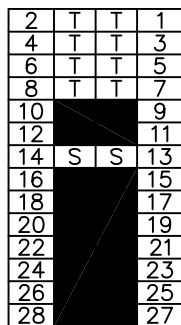
NOTE: WHEN RECTIFIER IS SPECIFIED COIL CONNS. ARE AS SHOWN.



**FRAME REFERENCE: E2FAQQ.**

**FRAME TERMINAL BLOCK ASSY: -**

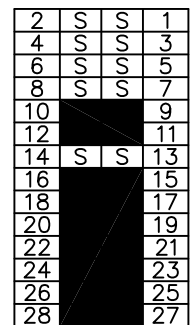
ASSEMBLY INSTRUCTIONS: -  
TYPICAL ASSEMBLY DRAWING 2995G10032.  
AT INDICATED POSITIONS FIT AS FOLLOWS:  
T - FIT TRIP ISOLATION CONTACT 2995B10053  
S - FIT STANDARD CONTACT 2995B10054  
SECURE CONTACTS USING FIXING SCREW 2109F99009.  
POSITIONS SHOWN BLANK ARE UNUSED



VIEW FROM NUMBERED SIDE OF BLOCK

**OUTER TERMINAL BLOCK ASSY: -**

ASSEMBLY INSTRUCTIONS: -  
TYPICAL ASSEMBLY DRAWING 2995G10029.  
AT INDICATED POSITIONS FIT AS FOLLOWS:  
S - FIT STANDARD CONTACT 2995B10051  
HC - FIT 'HEAVY CURRENT' KIT 2995G10030  
WHERE IS SHOWN FIT CT SHORTING  
KIT 2995G10031  
POSITIONS SHOWN BLANK ARE UNUSED.  
ALL POSITIONS FIT SCREW 2106F12506.



VIEW FROM INSIDE FACE

Title: T.B. AND W.D. FOR AR1-1/1-2 4 CONT. RELAYS IN EPSILON E2 CASE.			First used on:	
5 RDW 21/11/07 112/2909 4 RDW 16/08/07 112/2889 3 RDW 25/5/5 112/2709 2 RDW 8/7/4 112/2650 1 17/03/99			Similar Articles:	
ISSUE DATE MOD.No.			Supersedes:	
<b>Reyrolle Protection Hebburn.</b>			Drg.No. 2112W50027	
DRAWN: A.LAW.			Copyright © 1998 Reyrolle Ltd.	
CHECKED:		APPROVED: R.D.WATSON		DATE: 16/07/02