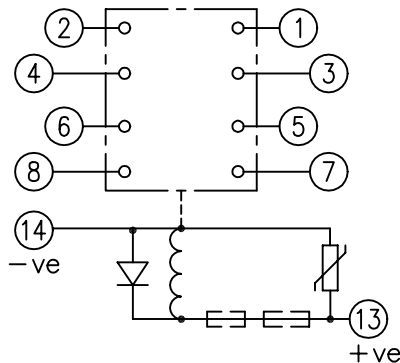


LOOKING ON FRONT OF RELAY

2112W50129



NOTE:

- RESISTORS ARE NOT REQUIRED ON OTHER VOLTAGE VARIATIONS.
- * THE AR141T2 125VDC & 240VDC VERSIONS MUST HAVE RESISTOR 2101C21471 FITTED INSTEAD OF THE ONE SPECIFIED ON CHART. SEE RELEVANT B.O.M.
- HEAVY DUTY CONTACTS ARE FITTED WITH BLOWOUT MAGNETS AND ARE POLARITY CONSCIOUS, SEE TABLE BELOW FOR +VE TERMINAL.

KEY	125	* 2101C21102 ONLY.	NIL.	SEE NOTE 2 *	
make contact	240	* 2101C21102 +EXT. RES.	EXT. RES. ONLY	SEE NOTE 2 *	
break contact	VDC	RES.(T1,T2,T3,T6).	RES.(T4).	REMARKS	
c/o contact	CONTACT CONFIG.	OUTPUT CONTACT PAIR / TERMINAL No.			
ext. conn	4M	M	M	M	M
plug bridge - shorting	3M 1B	M	B	M	M
metering point	2M 2B	B	B	M	M
5Kv barrier	1M 3B	B	B	M	B
test socket - shorting	4B	B	B	B	B
plug & socket	4M(HD)	M+	M+	M+	M+
	3M(HD) 1B(HD)	M+	M+	M+	+B
	2M(HD) 2M(STD)	M+	M+	M	M
	2M(HD) 2B(STD)	M+	M+	B	B

**NOT SUBJECT TO UPDATE
ONCE COPIED / PRINTED
OR DOWNLOADED**

FRAME REFERENCE: E2FAQQ.

FRAME TERMINAL BLOCK ASSY: -

ASSEMBLY INSTRUCTIONS: -

TYPICAL ASSEMBLY DRAWING 2995G10032.

AT INDICATED POSITIONS FIT AS FOLLOWS:

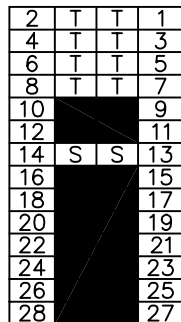
T - FIT TRIP ISOLATION CONTACT 2995B10053

S - FIT STANDARD CONTACT 2995B10054

SECURE CONTACTS USING FIXING SCREW

2109F99009.

POSITIONS SHOWN BLANK ARE UNUSED



VIEW FROM NUMBERED SIDE OF BLOCK

OUTER TERMINAL BLOCK ASSY: -

ASSEMBLY INSTRUCTIONS: -

TYPICAL ASSEMBLY DRAWING 2995G10029.

AT INDICATED POSITIONS FIT AS FOLLOWS:

S - FIT STANDARD CONTACT 2995B10051

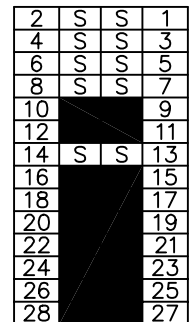
HC - FIT 'HEAVY CURRENT' KIT 2995G10030

WHERE IS SHOWN FIT CT SHORTING

KIT 2995G10031

POSITIONS SHOWN BLANK ARE UNUSED.

ALL POSITIONS FIT SCREW 2106F12506.



VIEW FROM INSIDE FACE

Copyright © 2002 VATECH REYROLLE ACP Ltd. Hebburn

1	15/04/02	MOD.No.	Title: TERMINAL BLOCK & WIRING DIAGRAM FOR AR1-1T-D 4C RELAYS IN E2 CASE.	First used on:
				Similar Articles:
ISSUE	DATE	MOD.No.	VATECH REYROLLE AUTOMATION, CONTROL & PROTECTION	Supersedes:
DRAWN: A.LAW.	CHECKED:	APPROVED: R.D.WATSON		DATE: 17/07/02
			Original Scale:	Drg.No. 2112W50129
				OPS: