

IF IN DOUBT ASK  
DO NOT SCALE

A

B

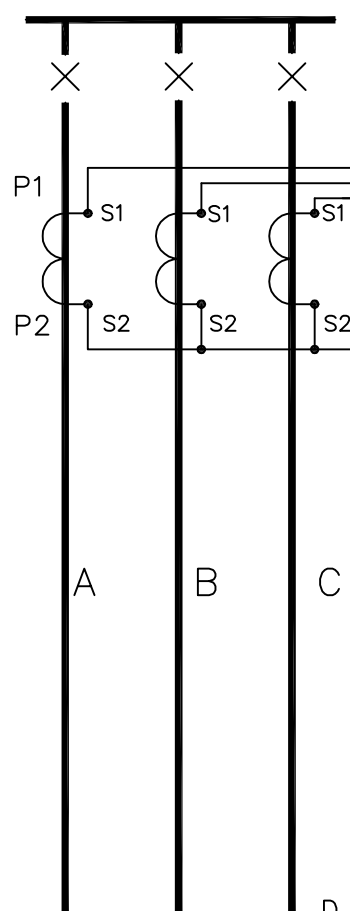
C

D

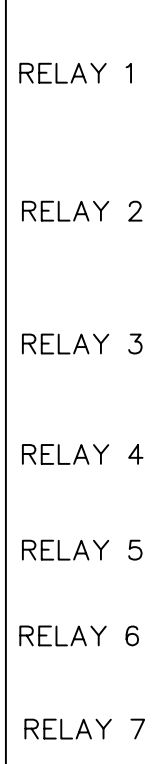
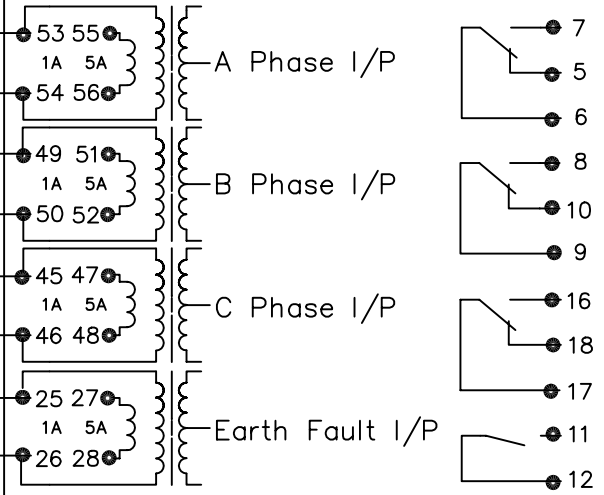
E

F

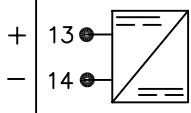
BUSBARS



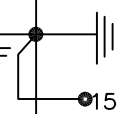
RHO3 E6/R6 Case Size



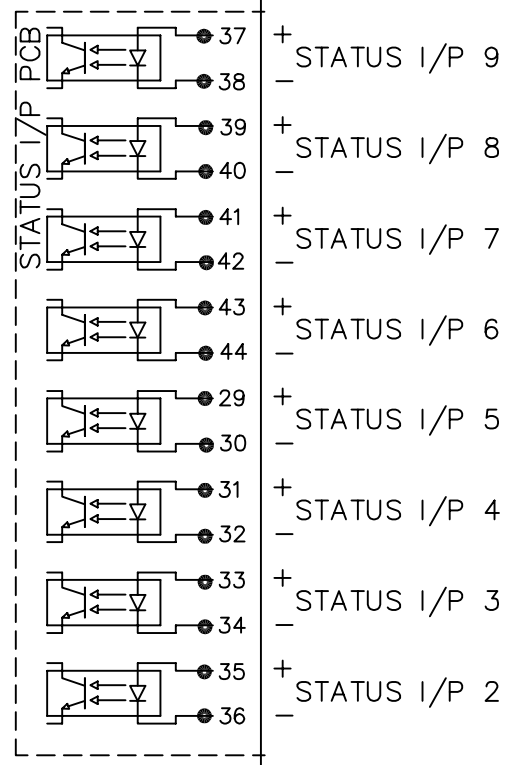
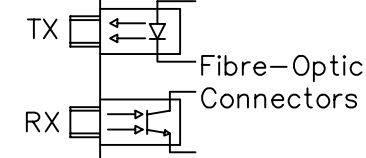
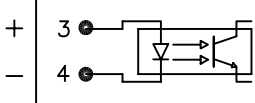
D.C Auxilliary Input Volts



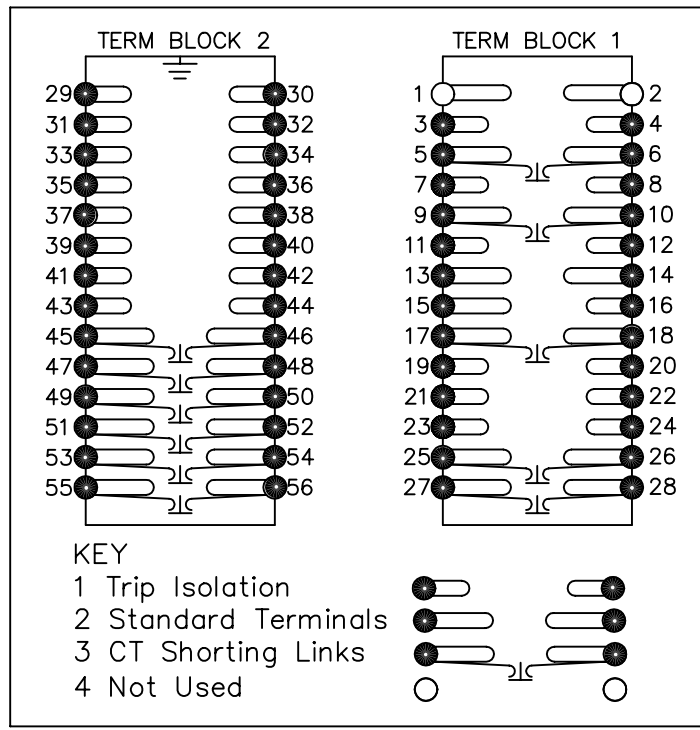
Earth Case Earth



STATUS I/P 1



TERMINAL BLOCKS VIEWED FROM REAR



**NOT SUBJECT TO UPDATE  
ONCE COPIED / PRINTED  
OR DOWNLOADED**

NOTES

- 1 CT CIRCUITS ARE SHOWN CONNECTED TO RELAY 1 AMP TAP. USE ALTERNATIVE TAP FOR 5AMP RATED CTs.
- 2 CT & EARTH CONNECTIONS ARE TYPICAL ONLY.
- 3 FOR TERMINAL IDENTIFICATION & WIRING DIAGRAM SEE 2681W20001 (A3) (REYMOs)  
TERMINAL IDENTIFICATION & WIRING DIAGRAM SEE 2681W50001 (A3) (EPSILON)

MATERIAL:

Dimensions in millimetres : Surface texture in micrometres.  
Machine where marked ✓  
For explanation of dimensions, tolerances, notes etc. see B.S.308.  
Limit on untoleranced unmachined dimensions ± \_\_\_\_\_  
Limits on untoleranced machined dimensions to B.S.4500;  
i.e. up to 6±0.1; over 30 to 120±0.3; over 315±0.8;  
over 6 to 30±0.2; over 120 to 315±0.5;  
General unmachined angular tolerance ± \_\_\_\_\_

Finish: \_\_\_\_\_  
Treatment: \_\_\_\_\_

Title:  
TYPICAL SCHEMATIC DIAGRAM FOR RHO 3 MOTOR PROTECTION  
(LINE CTs ONLY) E6/R6 CASE

**Reyrolle Protection  
Hebburn.**

Original Scale.  
NTS

First used on: \_\_\_\_\_  
Similar Articles: \_\_\_\_\_  
Supersedes: \_\_\_\_\_  
Drg. No.  
**2681W10001**

3	19/4/02	MN434/2292
2	26/11/99	MN434/150
1	21/7/99	CHANGE NOTED
ISSUE	DATE	NOTED

Copyright © 1999 Reyrolle Ltd.