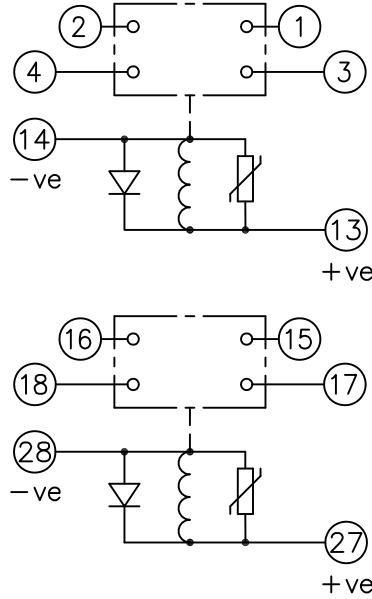


LOOKING ON FRONT OF RELAY



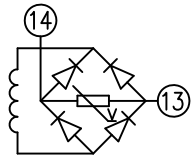
NOT SUBJECT TO UPDATE  
ONCE COPIED / PRINTED  
OR DOWNLOADED

**KEY**

- make contact
- break contact
- c/o contact
- ext. conn
- plug bridge - shorting
- metering point
- 5Kv barrier
- test socket - shorting
- plug & socket

CONTACT CONFIG.	OUTPUT CONTACT PAIR / TERMINAL No.					
TOP →	1-3	2-4	5-7	6-8	9-11	10-12
BOT. →	15-17	16-18	19-21	20-22	23-25	24-26
2M	M	M				
1M 1B	M	B				
2B	B	B				

NOTE: WHEN RECTIFIER IS SPECIFIED COIL CONNS. ARE AS SHOWN.



FRAME REFERENCE: E2FAQQ.  
 FRAME TERMINAL BLOCK ASSY: -  
 ASSEMBLY INSTRUCTIONS: -  
 TYPICAL ASSEMBLY DRAWING 2995G10032.  
 AT INDICATED POSITIONS FIT AS FOLLOWS:  
 T - FIT TRIP ISOLATION CONTACT 2995B10053  
 S - FIT STANDARD CONTACT 2995B10054  
 SECURE CONTACTS USING FIXING SCREW 2109F99009.  
 POSITIONS SHOWN BLANK ARE UNUSED

2	T	T	1
4	T	T	3
6			5
8			7
10			9
12			11
14	S	S	13
16	T	T	15
18	T	T	17
20			19
22			21
24			23
26			25
28	S	S	27

VIEW FROM NUMBERED SIDE OF BLOCK

OUTER TERMINAL BLOCK ASSY: -  
 ASSEMBLY INSTRUCTIONS: -  
 TYPICAL ASSEMBLY DRAWING 2995G10029.  
 AT INDICATED POSITIONS FIT AS FOLLOWS:  
 S - FIT STANDARD CONTACT 2995B10051  
 HC - FIT 'HEAVY CURRENT' KIT 2995G10030  
 WHERE IS SHOWN FIT CT SHORTING KIT 2995G10031  
 POSITIONS SHOWN BLANK ARE UNUSED.  
 ALL POSITIONS FIT SCREW 2106F12506.

2	S	S	1
4	S	S	3
6			5
8			7
10			9
12			11
14	S	S	13
16	S	S	15
18	S	S	17
20			19
22			21
24			23
26			25
28	S	S	27

VIEW FROM INSIDE FACE

			Title. T.B. AND W.D. FOR AR201D/211D 2 CONT. RELAYS IN EPSILON E2 CASE.	First used on:	
				Similar Articles:	
				Supersedes:	
2 RDW 1	20/05/08 27/04/99	MN112/2956 AL	<b>Reyrolle Protection Hebburn.</b>	Original Scale. 	Drg.No. <span style="font-size: 2em;">2112W50111</span>
DRAWN: A.LAW.	CHECKED:	APPROVED: R.D.WATSON	DATE: 17/07/02	Copyright © 1999	Reyrolle Ltd.