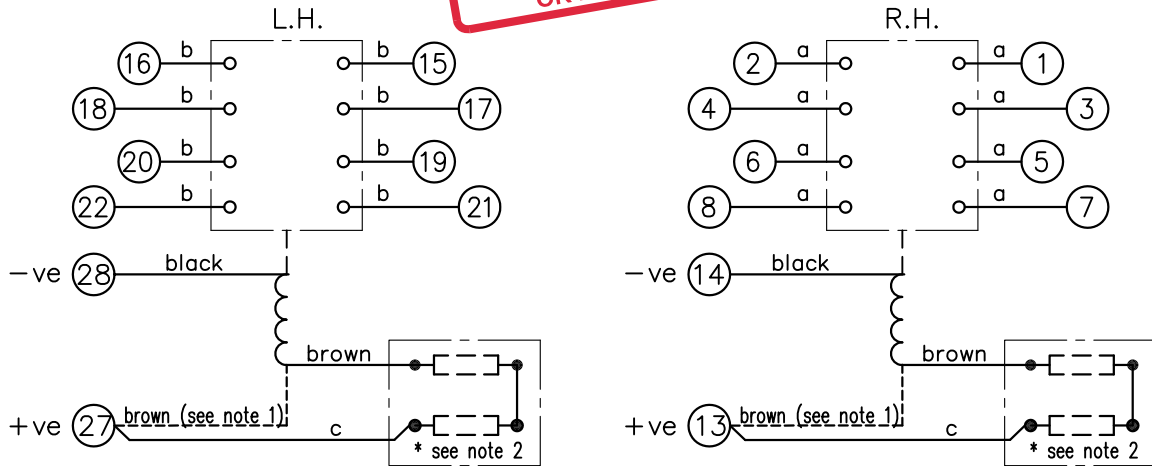


NOT SUBJECT TO UPDATE
ONCE COPIED / PRINTED
OR DOWNLOADED

2112W50099



LOOKING ON FRONT OF RELAY

NOTE:

1. RESISTORS ARE NOT REQUIRED ON OTHER VOLTAGE VARIATIONS, DASHED LINE ---- SHOWS CONNECTIONS WHEN RESISTORS ARE NOT FITTED.
- * 2. THE AR141T2 125VDC & 240VDC VERSIONS MUST HAVE RESISTOR 2101C21471 FITTED INSTEAD OF THE ONE SPECIFIED ON CHART. SEE RELEVANT B.O.M.
3. HEAVY DUTY CONTACTS ARE FITTED WITH BLOWOUT MAGNETS AND ARE POLARITY CONSCIOUS, SEE TABLE FOR +VE TERMINAL.

ASSEMBLY WIRES USED	
a	2107B10002 8 OFF
b	2107B10003 8 OFF
c	2107D10164 2 OFF

KEY	125	* 2101C21102 ONLY.	NIL.	SEE NOTE 2 *	2112G20328			
	oo	240	* 2101C21102 +EXT. RES.	EXT. RES. ONLY	SEE NOTE 2 *	2112G20328		
oo	VDC	RES.(T1,T2,T3,T6).	RES.(T4).	REMARKS	COIL			
oo	CONTACT CONFIG.	OUTPUT CONTACT PAIR / TERMINAL No.						
oo		R.H. →	1-3	2-4	5-7	6-8	9-11	10-12
⓪		L.H. →	15-17	16-18	19-21	20-22	23-25	24-26
⓪	4M	M	M	M	M			
⓪	3M 1B	M	B	M	M			
⓪	2M 2B	B	B	M	M			
⓪	1M 3B	B	B	M	B			
⓪	4B	B	B	B	B			
⓪	4M(HD)	M+	M+	M+	M+			
⓪	3M(HD) 1B(HD)	M+	M+	M+	+B			
⓪	2M(HD) 2M(STD)	M+	M+	M	M			
⓪	2M(HD) 2B(STD)	M+	M+	B	B			

NOTE: WHEN RECTIFIER IS SPECIFIED COIL CONNS. ARE AS SHOWN.

FRAME REFERENCE: E4FE02.

FRAME TERMINAL BLOCK ASSY: -

ASSEMBLY INSTRUCTIONS: -
TYPICAL ASSEMBLY DRAWING 2995G10032.
AT INDICATED POSITIONS FIT AS FOLLOWS:
T - FIT TRIP ISOLATION CONTACT 2995B10053
S - FIT STANDARD CONTACT 2995B10054
SECURE CONTACTS USING FIXING SCREW 2109F99009.
POSITIONS SHOWN BLANK ARE UNUSED

2	T	T	1
4	T	T	3
6	T	T	5
8	T	T	7
10			9
12			11
14	S	S	13
16	T	T	15
18	T	T	17
20	T	T	19
22	T	T	21
24			23
26			25
28	S	S	27

VIEW FROM NUMBERED SIDE OF BLOCK

OUTER TERMINAL BLOCK ASSY: -

ASSEMBLY INSTRUCTIONS: -
TYPICAL ASSEMBLY DRAWING 2995G10029.
AT INDICATED POSITIONS FIT AS FOLLOWS:
S - FIT STANDARD CONTACT 2995B10051
HC - FIT 'HEAVY CURRENT' KIT 2995G10030
WHERE ⓪ IS SHOWN FIT CT SHORTING KIT 2995G10031
POSITIONS SHOWN BLANK ARE UNUSED.
ALL POSITIONS FIT SCREW 2106F12506.

2	S	S	1
4	S	S	3
6	S	S	5
8	S	S	7
10			9
12			11
14	S	S	13
16	S	S	15
18	S	S	17
20	S	S	19
22	S	S	21
24			23
26			25
28	S	S	27

VIEW FROM INSIDE FACE

Title: T.B. AND W.D. FOR AR2-1T- 4 CONTACT RELAYS IN EPSILON E4 CASE.			First used on:	
Similar Articles:			Supersedes:	
Drg.No. 2112W50099			Original Scale:	
2 RDW 10/07/12 MN11C/3479 1 29/04/99	Reyrolle Protection Hebburn.		Copyright © 1999 Reyrolle Ltd.	
DRAWN: A.LAW.	CHECKED:	APPROVED: R.D.WATSON	DATE: 17/07/02	Drg.No.