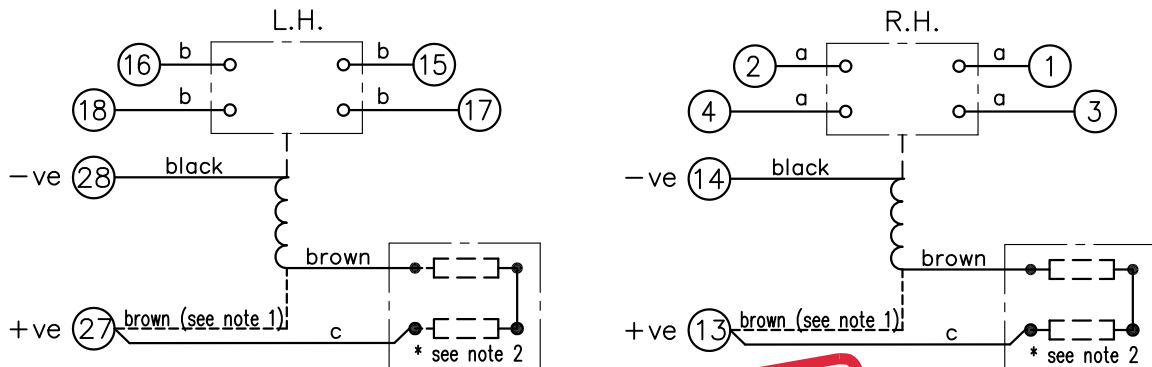


LOOKING ON FRONT OF RELAY



NOT SUBJECT TO UPDATE
ONCE COPIED / PRINTED
OR DOWNLOADED

NOTE:

1. RESISTORS ARE NOT REQUIRED ON OTHER VOLTAGE VARIATIONS, DASHED LINE --- SHOWS CONNECTIONS WHEN RESISTORS ARE NOT FITTED.
- * 2. THE AR141T2 125VDC & 240VDC VERSIONS MUST HAVE RESISTOR 2101C21471 FITTED INSTEAD OF THE ONE SPECIFIED ON CHART. SEE RELEVANT B.O.M.

KEY

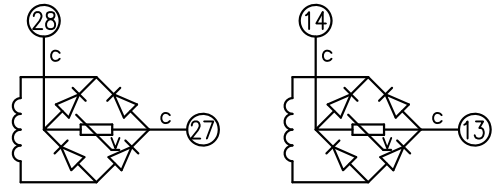
- make contact
- break contact
- c/o contact
- ext. conn
- plug bridge - shorting
- metering point
- 5Kv barrier
- test socket - shorting
- plug & socket

125	* 2101C21102 ONLY.	NIL.	SEE NOTE 2 *	2112G20328
240	* 2101C21102 +EXT. RES.	EXT. RES. ONLY	SEE NOTE 2 *	2112G20328
VDC	RES.(T1,T2,T3,T6).	RES.(T4).	REMARKS	COIL

ASSEMBLY WIRES USED		
a	2107B10002	4 OFF
b	2107B10003	4 OFF
c	2107D10164	2 OFF

CONTACT CONFIG.	OUTPUT CONTACT PAIR / TERMINAL No.						
	R.H. →	1-3	2-4	5-7	6-8	9-11	10-12
L.H. →	15-17	16-18	19-21	20-22	23-25	24-26	
2M	M	M					
1M	1B	M	B				
	2B	B	B				

NOTE: WHEN RECTIFIER IS SPECIFIED COIL CONNS. ARE AS SHOWN.



FRAME REFERENCE: E4FE02.

FRAME TERMINAL BLOCK ASSY: -

ASSEMBLY INSTRUCTIONS: -
TYPICAL ASSEMBLY DRAWING 2995G10032.
AT INDICATED POSITIONS FIT AS FOLLOWS:
T - FIT TRIP ISOLATION CONTACT 2995B10053
S - FIT STANDARD CONTACT 2995B10054
SECURE CONTACTS USING FIXING SCREW 2109F99009.
POSITIONS SHOWN BLANK ARE UNUSED

2	T	T	1
4	T	T	3
6			5
8			7
10			9
12			11
14	S	S	13
16	T	T	15
18	T	T	17
20			19
22			21
24			23
26			25
28	S	S	27

VIEW FROM NUMBERED
SIDE OF BLOCK

OUTER TERMINAL BLOCK ASSY: -

ASSEMBLY INSTRUCTIONS: -
TYPICAL ASSEMBLY DRAWING 2995G10029.
AT INDICATED POSITIONS FIT AS FOLLOWS:
S - FIT STANDARD CONTACT 2995B10051
HC - FIT 'HEAVY CURRENT' KIT 2995G10030
WHERE IS SHOWN FIT CT SHORTING
KIT 2995G10031
POSITIONS SHOWN BLANK ARE UNUSED.
ALL POSITIONS FIT SCREW 2106F12506.

2	S	S	1
4	S	S	3
6			5
8			7
10			9
12			11
14	S	S	13
16	S	S	15
18	S	S	17
20			19
22			21
24			23
26			25
28	S	S	27

VIEW FROM INSIDE
FACE

			Title. T.B. AND W.D. FOR AR2-1T- 2 CONTACT RELAYS IN EPSILON E4 CASE.	First used on:		
				Similar Articles:		
				Supersedes:		
2 RDW	10/07/12	MN111C/3479	Reyrolle Protection Hebburn.	Original Scale.	2112W50098	
1	29/04/99					Drq.No.
ISSUE	DATE	MOD.No.				
DRAWN: A.LAW.	CHECKED:	APPROVED: R.D.WATSON	DATE: 17/07/02	Copyright © 1999	Reyrolle Ltd.	