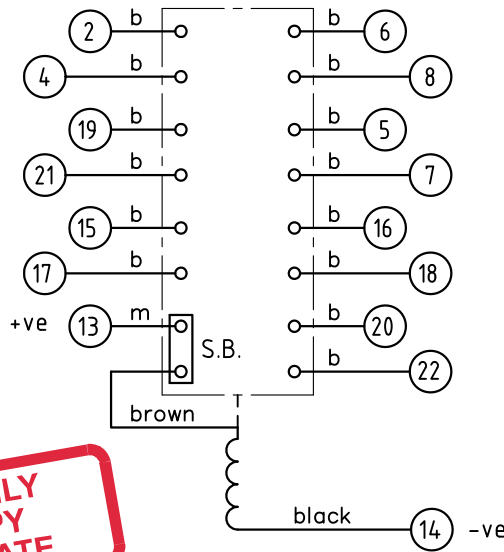


LOOKING ON FRONT OF RELAY



FOR INTERNAL USE ONLY
UNCONTROLLED COPY
NOT SUBJECT TO UPDATE

KEY

- make contact
- break contact
- c/o contact
- ext. conn
- plug bridge - shorting
- metering point
- 5Kv barrier
- test socket - shorting
- plug & socket

COIL		ASSEMBLY WIRES USED									
		b	2107B10001	14	OFF	m	2107D10181	1	OFF		
Vdc		24	30	50	60	125	240				
CONTACT CONFIG.	1-3	OUTPUT CONTACT PAIR / TERMINAL No.									
7M 1SB		M	M	M			M	M	M	M	
6M 1B 1SB		M	M	M			M	B	M	M	
5M 2B 1SB		B	M	M			M	B	M	M	
4M 3B 1SB		B	M	M			B	B	M	M	
3M 4B 1SB		B	M	M			B	B	M	B	
2M 5B 1SB		B	M	B			B	B	M	B	
1M 6B 1SB		B	M	B			B	B	B	B	
7B 1SB		B	B	B			B	B	B	B	

NOTE: WHEN RECTIFIER IS SPECIFIED COIL CONNS AND ADDITIONAL WIRES ARE AS SHOWN.

FRAME REFERENCE: E2FAQM.
 FRAME TERMINAL BLOCK ASSY: -
 ASSEMBLY INSTRUCTIONS: -
 TYPICAL ASSEMBLY DRAWING 2995G10032.
 AT INDICATED POSITIONS FIT AS FOLLOWS:
 T - FIT TRIP ISOLATION CONTACT 2995B10053
 S - FIT STANDARD CONTACT 2995B10054
 SECURE CONTACTS USING FIXING SCREW 2109F99009.
 POSITIONS SHOWN BLANK ARE UNUSED

2	T		1
4	T		3
6	T	T	5
8	T	T	7
10			9
12			11
14	S	S	13
16	T	T	15
18	T	T	17
20	T	T	19
22	T	T	21
24			23
26			25
28			27

VIEW FROM NUMBERED SIDE OF BLOCK

OUTER TERMINAL BLOCK ASSY: -
 ASSEMBLY INSTRUCTIONS: -
 TYPICAL ASSEMBLY DRAWING 2995G10029.
 AT INDICATED POSITIONS FIT AS FOLLOWS:
 S - FIT STANDARD CONTACT 2995B10051
 HC - FIT 'HEAVY CURRENT' KIT 2995G10030
 WHERE IS SHOWN FIT CT SHORTING KIT 2995G10031
 POSITIONS SHOWN BLANK ARE UNUSED.
 ALL POSITIONS FIT SCREW 2106F12506.

2	S		1
4	S		3
6	S	S	5
8	S	S	7
10			9
12			11
14	S	S	13
16	S	S	15
18	S	S	17
20	S	S	19
22	S	S	21
24			23
26			25
28			27

VIEW FROM INSIDE FACE

			Title. T.B. AND W.D. FOR AR112SB 8 CONTACT RELAYS IN EPSILON E2 CASE.	First used on:
5 N.C	19/06/15	MN112/3882 LD		Similar Articles:
4 RDW	09/10/12	MN112/3556 JB		Supersedes:
3 RDW	05/12/05	MN112/2755		Original Scale.
2 RDW	16/01/04	MN112/2606		2112W50085
1	27/04/99			Copyright © 2015 Reyrolle Ltd.
ISSUE	DATE	MOD.No.	Reyrolle Protection Hebburn.	
DRAWN: A.LAW.	CHECKED:	APPROVED: R.D.WATSON	DATE: 17/07/02	