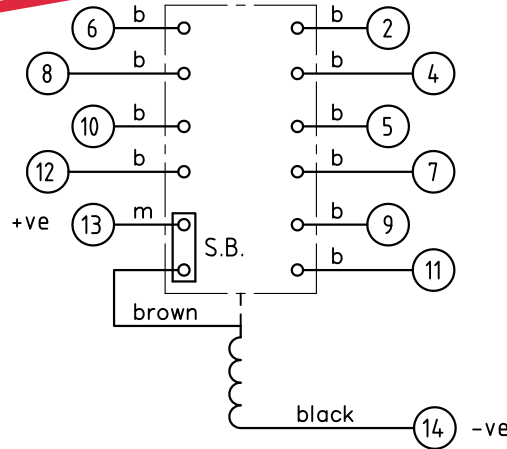


LOOKING ON FRONT OF RELAY

**FOR INTERNAL USE ONLY
UNCONTROLLED COPY
NOT SUBJECT TO UPDATE**



KEY

- make contact
- break contact
- c/o contact
- ext. conn
- plug bridge - shorting
- metering point
- 5Kv barrier
- test socket - shorting
- plug & socket

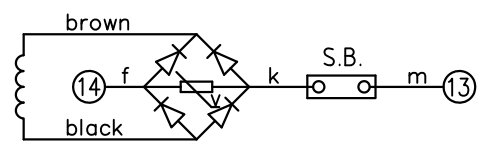
ASSEMBLY WIRES USED

b	2107B10001	10 OFF
m	2107D10181	1 OFF

COIL	2112G20019	2112G20020	2112G20022	2112G20023	2112G20026	2112G20029
Vdc	24	30	50	60	125	240

CONTACT CONFIG.	OUTPUT CONTACT PAIR / TERMINAL No.	1-3	2-4	5-7	6-8	9-11	10-12
5M 1SB		M	M	M	M	M	M
4M 1B 1SB		B	M	M	M	M	M
3M 2B 1SB		B	M	B	M	M	M
2M 3B 1SB		B	B	B	M	M	M
1M 4B 1SB		B	B	B	M	B	B
5B 1SB		B	B	B	B	B	B

NOTE: WHEN RECTIFIER IS SPECIFIED COIL CONNS AND ADDITIONAL WIRES ARE AS SHOWN.



FRAME REFERENCE: E2FAQM.

FRAME TERMINAL BLOCK ASSY: -

ASSEMBLY INSTRUCTIONS: -
TYPICAL ASSEMBLY DRAWING 2995G10032.
AT INDICATED POSITIONS FIT AS FOLLOWS:
T - FIT TRIP ISOLATION CONTACT 2995B10053
S - FIT STANDARD CONTACT 2995B10054
SECURE CONTACTS USING FIXING SCREW 2109F99009.
POSITIONS SHOWN BLANK ARE UNUSED

2	T		1
4	T		3
6	T	T	5
8	T	T	7
10	T	T	9
12	T	T	11
14	S	S	13
16			15
18			17
20			19
22			21
24			23
26			25
28			27

VIEW FROM NUMBERED SIDE OF BLOCK

OUTER TERMINAL BLOCK ASSY: -

ASSEMBLY INSTRUCTIONS: -
TYPICAL ASSEMBLY DRAWING 2995G10029.
AT INDICATED POSITIONS FIT AS FOLLOWS:
S - FIT STANDARD CONTACT 2995B10051
HC - FIT 'HEAVY CURRENT' KIT 2995G10030
WHERE IS SHOWN FIT CT SHORTING KIT 2995G10031
POSITIONS SHOWN BLANK ARE UNUSED.
ALL POSITIONS FIT SCREW 2106F12506.

2	S		1
4	S		3
6	S	S	5
8	S	S	7
10	S	S	9
12	S	S	11
14	S	S	13
16			15
18			17
20			19
22			21
24			23
26			25
28			27

VIEW FROM INSIDE FACE

4 N.C 19/06/15 MN112/3882 LD 3 RDW 09/10/12 MN112/3556 JB 2 RDW 16/01/04 MN112/2606 1 27/04/99	Title: T.B. AND W.D. FOR AR112SB 6 CONTACT RELAYS IN EPSILON E2 CASE.		First used on:	
	Reyrolle Protection Hebburn.		Similar Articles:	
	Original Scale:		Supersedes:	
	Drg.No. 2112W50084		Drg.No. 2112W50084	
DRAWN: A.LAW.	CHECKED:	APPROVED: R.D.WATSON	DATE: 17/07/02	Copyright © 2015 Reyrolle Ltd.