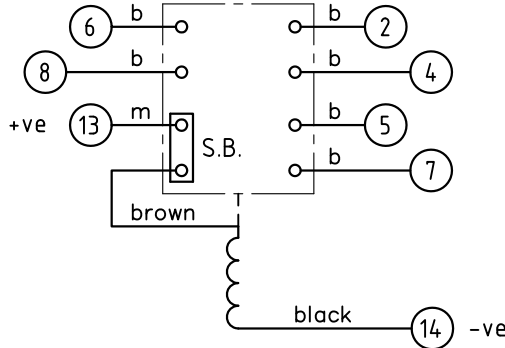


LOOKING ON FRONT OF RELAY

2112W50083

**FOR INTERNAL USE ONLY
UNCONTROLLED COPY
NOT SUBJECT TO UPDATE**



KEY

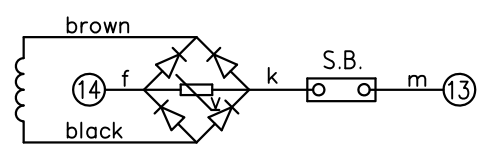
- make contact
- break contact
- c/o contact
- ext. conn
- plug bridge - shorting
- metering point
- 5Kv barrier
- test socket - shorting
- plug & socket

ASSEMBLY WIRES USED		
b	2107B10002	6 OFF
m	2107D10181	1 OFF

COIL	2112G20019	2112G20020	2112G20022	2112G20023	2112G20026	2112G20029
Vdc	24	30	50	60	125	240

CONTACT CONFIG.	OUTPUT CONTACT PAIR / TERMINAL No.					
	1-3	2-4	5-7	6-8	9-11	10-12
3M 1SB	/	M	M	M	/	/
2M 1B 1SB	/	B	M	M	/	/
1M 2B 1SB	/	B	M	B	/	/
3B 1SB	/	B	B	B	/	/

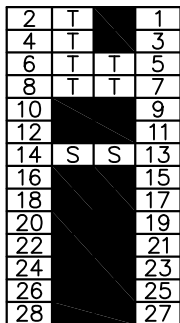
NOTE: WHEN RECTIFIER IS SPECIFIED COIL CONNS AND ADDITIONAL WIRES ARE AS SHOWN.



FRAME REFERENCE: E2FAQM.

FRAME TERMINAL BLOCK ASSY: -

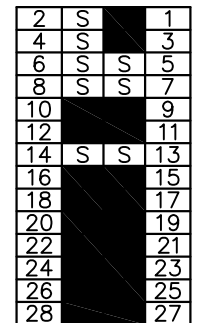
ASSEMBLY INSTRUCTIONS: -
TYPICAL ASSEMBLY DRAWING 2995G10032.
AT INDICATED POSITIONS FIT AS FOLLOWS:
T - FIT TRIP ISOLATION CONTACT 2995B10053
S - FIT STANDARD CONTACT 2995B10054
SECURE CONTACTS USING FIXING SCREW 2109F99009.
POSITIONS SHOWN BLANK ARE UNUSED



VIEW FROM NUMBERED SIDE OF BLOCK

OUTER TERMINAL BLOCK ASSY: -

ASSEMBLY INSTRUCTIONS: -
TYPICAL ASSEMBLY DRAWING 2995G10029.
AT INDICATED POSITIONS FIT AS FOLLOWS:
S - FIT STANDARD CONTACT 2995B10051
HC - FIT 'HEAVY CURRENT' KIT 2995G10030
WHERE IS SHOWN FIT CT SHORTING KIT 2995G10031
POSITIONS SHOWN BLANK ARE UNUSED.
ALL POSITIONS FIT SCREW 2106F12506.



VIEW FROM INSIDE FACE

Title: T.B. AND W.D. FOR AR112SB 4 CONTACT RELAYS IN EPSILON E2 CASE.			First used on:		
4 N.C 19/06/15 MN112/3882			Similar Articles:		
3 RDW 09/10/12 MN112/3556 JB			Supersedes:		
2 RDW 16/01/04 MN112/2606			Drg.No.		
1 27/04/99			2112W50083		
ISSUE DATE MOD.No.			Original Scale.		
DRAWN: A.LAW.		CHECKED:		APPROVED: R.D.WATSON	
DATE:		DATE: 17/07/02		Copyright © 2015 Reyrolle Ltd.	