

**IF IN DOUBT ASK  
DO NOT SCALE**

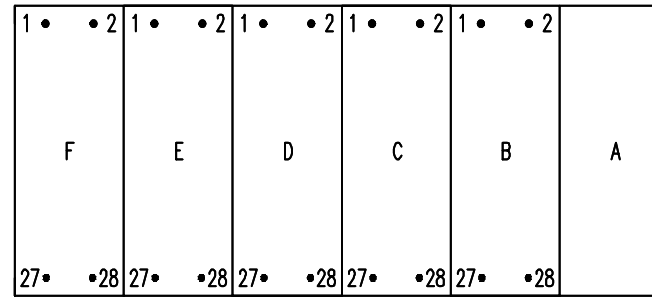
**EU EXPORT CONTROLS | ECCN: N | AL: N**  
**This document is not Export Controlled unless sending to Critical Countries.**

Relay Earthing

Terminal B28 of the PSU should be earthed by a direct connection to the device case earth stud (GND).

The device case earth stud should be solidly earthed by a direct connection to the panel earth.

Terminal contacts internal to case assembly close when device is withdrawn from case.



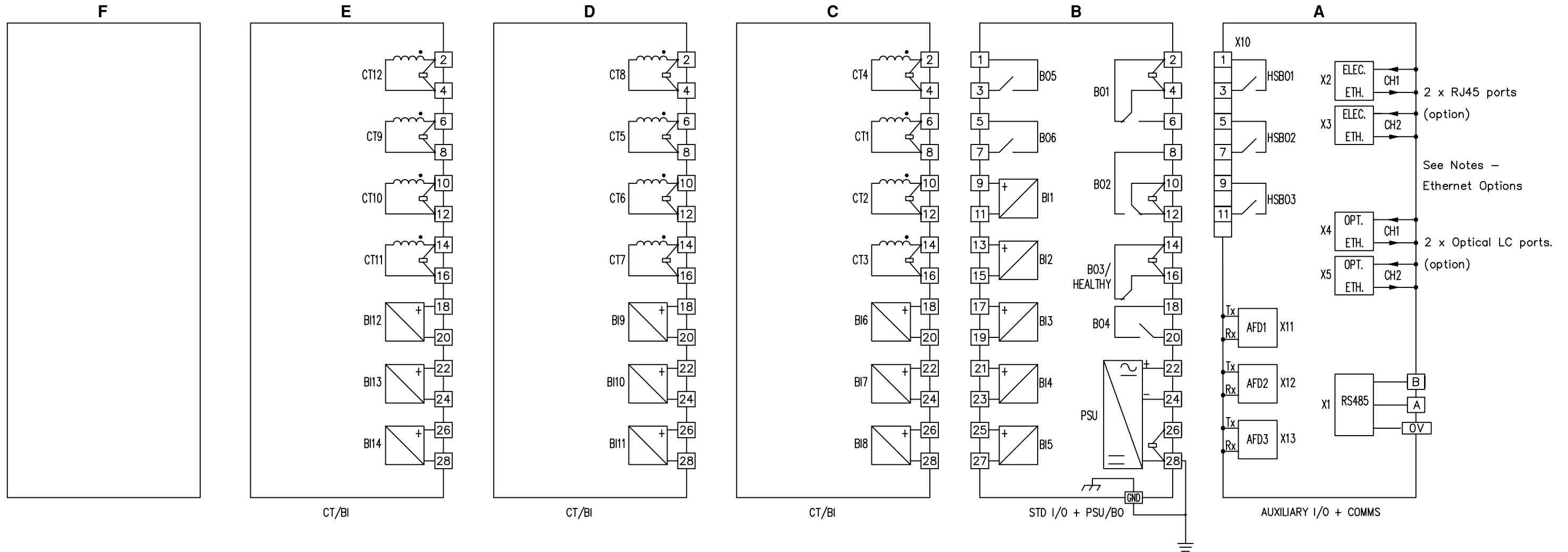
VIEWED FROM REAR

Warning – Eye Safety

Connectors X11–X13 are Laser class 1 (LED radiation only) products.

Notes – Ethernet Options

Device will be fitted with either 2 x electrical (RJ45) or 2 x optical (LC) ethernet ports.



ABBREVIATIONS	
AFD	ARC FLASH DETECTOR
BI	BINARY INPUT
BO	BINARY OUTPUT
COMMS	COMMUNICATIONS
CT	CURRENT TRANSFORMER
ELEC	ELECTRICAL
ETH	ETHERNET
GND	GROUND (CASE EARTH STUD)
HSBO	HIGH SPEED BINARY OUTPUT
OPT	OPTICAL
PSU	POWER SUPPLY UNIT (AUXILIARY)
STD I/O	STANDARD INPUT/OUTPUT

**NOT SUBJECT TO UPDATE  
ONCE COPIED / PRINTED  
OR DOWNLOADED**

2 NC	21/04/21	3Z2000249 JS
1	28/05/20	CHANGE NOTED
ISSUE	DATE	NOTED

Finish: —	Title: REAR TERMINAL CONNECTIONS – 7SR5430–1ADx6–0AA0 12CT, 14BI, 6BO, 3AFD, 3HSBO	First used on: —
Treatment: —	<b>SIEMENS PLC</b>	Similar Articles: —
Drawn: J SPOWART		Original Scale: NTS
Checked: K.H	Date: 10/06/20	Dwg No. 2518W50124
Approved: N CAMPBELL	Date: 10/06/20	Copyright © 2020 <b>A3</b> SIEMENS PLC. Hebburn