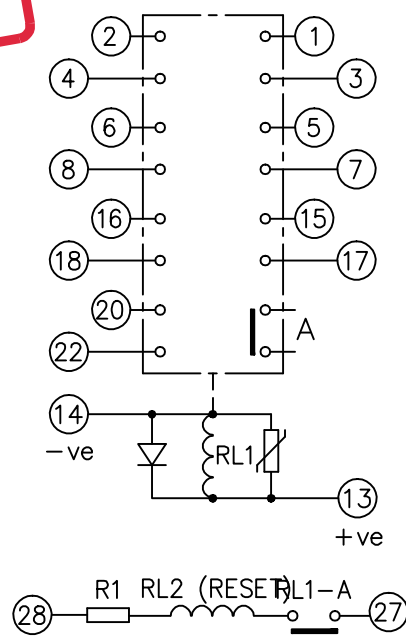


2112W50071

LOOKING ON FRONT OF RELAY

NOT SUBJECT TO UPDATE  
ONCE COPIED / PRINTED  
OR DOWNLOADED

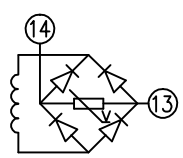


**KEY**

- ○ make contact
- break contact
- ○ c/o contact
- ② ext. conn plug bridge - shorting
- ⊙ metering point
- ⎓ 5Kv barrier
- test socket - shorting
- ⊙ plug & socket

	R1	NIL	2102C15687	NIL	2102C15270	NIL	2102C15471	
Volts dc		24	30	48	60	125	240	
CONTACT CONFIG.		OUTPUT CONTACT PAIR / TERMINAL No.						
		1-3	2-4	5-7	6-8	15-17	16-18	20-22
7M	M	M	M	M	M	M	M	M
6M 1B	M	M	M	M	M	B	M	M
5M 2B	M	B	M	M	M	B	M	M
4M 3B	M	B	M	M	B	B	M	M
3M 4B	B	B	M	M	B	B	M	M
2M 5B	B	B	M	M	B	B	B	B
1M 6B	B	B	M	B	B	B	B	B
7B	B	B	B	B	B	B	B	B

NOTE: WHEN RECTIFIER IS SPECIFIED COIL CONNS. ARE AS SHOWN.



FRAME REFERENCE: E2FAQM.  
 FRAME TERMINAL BLOCK ASSY: -  
 ASSEMBLY INSTRUCTIONS: -  
 TYPICAL ASSEMBLY DRAWING 2995G10032.  
 AT INDICATED POSITIONS FIT AS FOLLOWS:  
 T - FIT TRIP ISOLATION CONTACT 2995B10053  
 S - FIT STANDARD CONTACT 2995B10054  
 SECURE CONTACTS USING FIXING SCREW 2109F99009.  
 POSITIONS SHOWN BLANK ARE UNUSED

2	T	T	1
4	T	T	3
6	T	T	5
8	T	T	7
10			9
12			11
14	S	S	13
16	T	T	15
18	T	T	17
20	T		19
22	T		21
24			23
26			25
28	S	S	27

VIEW FROM NUMBERED SIDE OF BLOCK

OUTER TERMINAL BLOCK ASSY: -  
 ASSEMBLY INSTRUCTIONS: -  
 TYPICAL ASSEMBLY DRAWING 2995G10029.  
 AT INDICATED POSITIONS FIT AS FOLLOWS:  
 S - FIT STANDARD CONTACT 2995B10051  
 HC - FIT 'HEAVY CURRENT' KIT 2995G10030  
 WHERE ⊙ IS SHOWN FIT CT SHORTING KIT 2995G10031  
 POSITIONS SHOWN BLANK ARE UNUSED.  
 ALL POSITIONS FIT SCREW 2106F12506.

2	S	S	1
4	S	S	3
6	S	S	5
8	S	S	7
10			9
12			11
14	S	S	13
16	S	S	15
18	S	S	17
20	S		19
22	S		21
24			23
26			25
28	S	S	27

VIEW FROM INSIDE FACE

Title: T.B. AND W.D. FOR AR133D 8 CONTACT RELAYS IN EPSILON E2 CASE.			First used on:		
Reyrolle Protection Hebburn.			Similar Articles:		
ISSUE DATE MOD.No.			Supersedes:		
2 RDW 10/06/09 MN112/3151			Drg.No.		
1 27/04/99			2112W50071		
DRAWN: A.LAW.		CHECKED:		APPROVED: R.D.WATSON	
				DATE: 17/07/02	
Copyright © 1999 Reyrolle Ltd.					