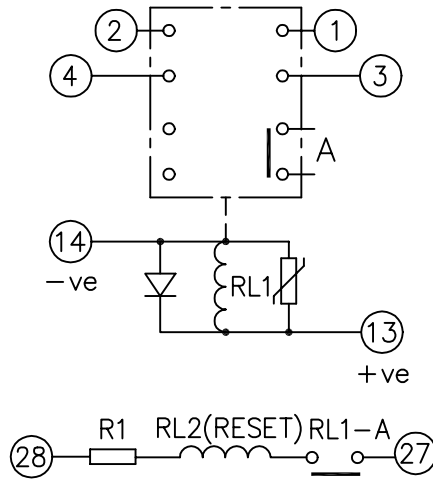


LOOKING ON FRONT OF RELAY



NOT SUBJECT TO UPDATE
ONCE COPIED / PRINTED
OR DOWNLOADED

KEY	
	make contact
	break contact
	c/o contact
	ext. conn
	plug bridge - shorting
	metering point
	5Kv barrier
	test socket - shorting
	plug & socket

R1	NIL	2102C15687	NIL	2102C15270	NIL	2102C15471
Volts dc	24	30	48	60	125	240
CONTACT CONFIG.	OUTPUT CONTACT PAIR / TERMINAL No.					
	1-3	2-4	5-7	6-8	9-11	10-12
2M	M	M				
1M 1B	M	B				
2B	B	B				

NOTE: WHEN RECTIFIER IS SPECIFIED COIL CONNS. ARE AS SHOWN.

FRAME REFERENCE: E2FAQQ.
 FRAME TERMINAL BLOCK ASSY: -
 ASSEMBLY INSTRUCTIONS: -
 TYPICAL ASSEMBLY DRAWING 2995G10032.
 AT INDICATED POSITIONS FIT AS FOLLOWS:
 T - FIT TRIP ISOLATION CONTACT 2995B10053
 S - FIT STANDARD CONTACT 2995B10054
 SECURE CONTACTS USING FIXING SCREW 2109F99009.
 POSITIONS SHOWN BLANK ARE UNUSED

2	T	T	1
4	T	T	3
6			5
8			7
10			9
12			11
14	S	S	13
16			15
18			17
20			19
22			21
24			23
26			25
28	S	S	27

VIEW FROM NUMBERED SIDE OF BLOCK

OUTER TERMINAL BLOCK ASSY: -
 ASSEMBLY INSTRUCTIONS: -
 TYPICAL ASSEMBLY DRAWING 2995G10029.
 AT INDICATED POSITIONS FIT AS FOLLOWS:
 S - FIT STANDARD CONTACT 2995B10051
 HC - FIT 'HEAVY CURRENT' KIT 2995G10030
 WHERE IS SHOWN FIT CT SHORTING KIT 2995G10031
 POSITIONS SHOWN BLANK ARE UNUSED.
 ALL POSITIONS FIT SCREW 2106F12506.

2	S	S	1
4	S	S	3
6			5
8			7
10			9
12			11
14	S	S	13
16			15
18			17
20			19
22			21
24			23
26			25
28	S	S	27

VIEW FROM INSIDE FACE

1	27/04/99	MOD.No.	Title. T.B. AND W.D. FOR AR133D 2 CONTACT RELAYS IN EPSILON E2 CASE.		First used on:
			Reyrolle Protection Hebburn. Original Scale.		Similar Articles:
		Supersedes:			
				Drg.No.	2112W50068
DRAWN:	A.LAW.	CHECKED:	APPROVED:	R.D.WATSON	DATE: 17/07/02
					Copyright © 1999 Reyrolle Ltd.