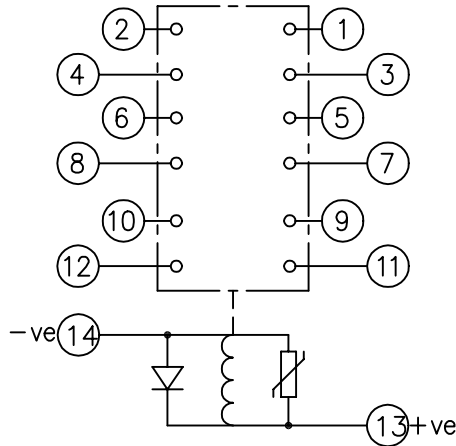


LOOKING ON FRONT OF RELAY



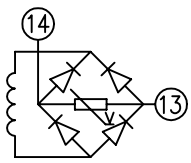
NOT SUBJECT TO UPDATE  
ONCE COPIED / PRINTED  
OR DOWNLOADED

**KEY**

- make contact
- break contact
- c/o contact
- ext. conn
- plug bridge - shorting
- metering point
- 5Kv barrier
- test socket - shorting
- plug & socket

| CONTACT CONFIG. | OUTPUT CONTACT PAIR / TERMINAL No. |     |     |     |      |       |
|-----------------|------------------------------------|-----|-----|-----|------|-------|
|                 | 1-3                                | 2-4 | 5-7 | 6-8 | 9-11 | 10-12 |
| 6M              | M                                  | M   | M   | M   | M    | M     |
| 5M 1B           | M                                  | B   | M   | M   | M    | M     |
| 4M 2B           | B                                  | B   | M   | M   | M    | M     |
| 3M 3B           | B                                  | B   | M   | B   | M    | M     |
| 2M 4B           | B                                  | B   | B   | B   | M    | M     |
| 1M 5B           | B                                  | B   | B   | B   | M    | B     |
| 6B              | B                                  | B   | B   | B   | B    | B     |

NOTE: WHEN RECTIFIER IS SPECIFIED COIL CONNS. ARE AS SHOWN.



FRAME REFERENCE: E2FAQQ.

FRAME TERMINAL BLOCK ASSY: -

ASSEMBLY INSTRUCTIONS: -  
TYPICAL ASSEMBLY DRAWING 2995G10032.  
AT INDICATED POSITIONS FIT AS FOLLOWS:  
T - FIT TRIP ISOLATION CONTACT 2995B10053  
S - FIT STANDARD CONTACT 2995B10054  
SECURE CONTACTS USING FIXING SCREW 2109F99009.  
POSITIONS SHOWN BLANK ARE UNUSED

|    |   |   |    |
|----|---|---|----|
| 2  | T | T | 1  |
| 4  | T | T | 3  |
| 6  | T | T | 5  |
| 8  | T | T | 7  |
| 10 | T | T | 9  |
| 12 | T | T | 11 |
| 14 | S | S | 13 |
| 16 |   |   | 15 |
| 18 |   |   | 17 |
| 20 |   |   | 19 |
| 22 |   |   | 21 |
| 24 |   |   | 23 |
| 26 |   |   | 25 |
| 28 |   |   | 27 |

VIEW FROM NUMBERED SIDE OF BLOCK

OUTER TERMINAL BLOCK ASSY: -

ASSEMBLY INSTRUCTIONS: -  
TYPICAL ASSEMBLY DRAWING 2995G10029.  
AT INDICATED POSITIONS FIT AS FOLLOWS:  
S - FIT STANDARD CONTACT 2995B10051  
HC - FIT 'HEAVY CURRENT' KIT 2995G10030  
WHERE IS SHOWN FIT CT SHORTING KIT 2995G10031  
POSITIONS SHOWN BLANK ARE UNUSED.  
ALL POSITIONS FIT SCREW 2106F12506.

|    |   |   |    |
|----|---|---|----|
| 2  | S | S | 1  |
| 4  | S | S | 3  |
| 6  | S | S | 5  |
| 8  | S | S | 7  |
| 10 | S | S | 9  |
| 12 | S | S | 11 |
| 14 | S | S | 13 |
| 16 |   |   | 15 |
| 18 |   |   | 17 |
| 20 |   |   | 19 |
| 22 |   |   | 21 |
| 24 |   |   | 23 |
| 26 |   |   | 25 |
| 28 |   |   | 27 |

VIEW FROM INSIDE FACE

|               |          |                      |   |                                |                   |
|---------------|----------|----------------------|---|--------------------------------|-------------------|
| 1             | 16/04/99 | MOD.No.              | Title.<br>T.B. AND W.D. FOR AR1-1D/1-2D 6 CONT. RELAYS IN EPSILON E2 CASE.  |                                | First used on:    |
|               |          |                      | <div style="display: flex; justify-content: space-between;"> <div style="font-size: 1.2em; font-weight: bold;">Reyrolle Protection Hebburn.</div> <div style="text-align: center;">Original Scale.</div> </div> |                                | Similar Articles: |
|               |          | Supersedes:          |   |                                | 2112W50045        |
|               |          | Drg.No.              |   |                                |                   |
| DRAWN: A.LAW. | CHECKED: | APPROVED: R.D.WATSON | DATE: 16/07/02  | Copyright © 1998 Reyrolle Ltd. |                   |