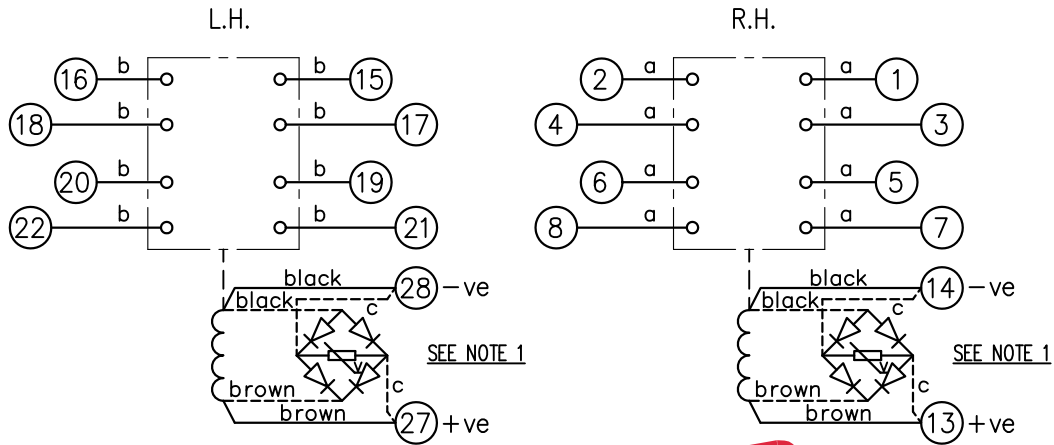


LOOKING ON FRONT OF RELAY



NOT SUBJECT TO UPDATE
ONCE COPIED / PRINTED
OR DOWNLOADED

- KEY**
- make contact
 - break contact
 - c/o contact
 - ext. conn
 - plug bridge - shorting
 - metering point
 - 5Kv barrier
 - test socket - shorting
 - plug & socket

CONTACT CONFIG.	OUTPUT CONTACT PAIR / TERMINAL No.						
	R.H. →	1-3	2-4	5-7	6-8	9-11	10-12
L.H. →	15-17	16-18	19-21	20-22	23-25	24-26	
4M	M	M	M	M			
3M 1B	M	B	M	M			
2M 2B	B	B	M	M			
1M 3B	B	B	M	B			
4B	B	B	B	B			
4M(HD)	M+	M+	M+	M+			
3M(HD) 1B(HD)	M+	M+	M+	+B			
2M(HD) 2B(HD)	M+	M+	+B	+B			
1M(HD) 3B(HD)	M+	+B	+B	+B			
4B(HD)	+B	+B	+B	+B			
2M(HD)2M(STD)	M+	M+	M	M			
2M(HD)2B(STD)	M+	M+	B	B			

ASSEMBLY WIRES USED

a	2107B10002	8 OFF
b	2107B10003	8 OFF
c	2107D10164	4 OFF

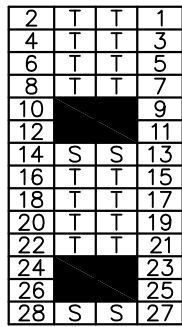
F.R. COILS SEE BOMS AND CUSTOMER ORDERS FOR SETTINGS.

V	A.R. COILS ONLY
24	2112G20019
30	2112G20020
50	2112G20022
60	2112G20023
125	2112G20026
240	2112G20029

NOTE:
1. DASHED LINE --- SHOWS CONNECTIONS WHEN RECTIFIERS ARE FITTED, (AC APPLICATIONS ONLY).

FRAME REFERENCE: E4FS05.
FRAME TERMINAL BLOCK ASSY: -

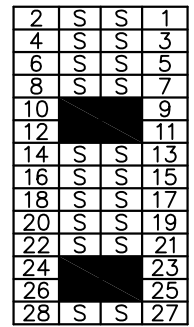
ASSEMBLY INSTRUCTIONS: -
TYPICAL ASSEMBLY DRAWING 2995G10032.
AT INDICATED POSITIONS FIT AS FOLLOWS:
T - FIT TRIP ISOLATION CONTACT 2995B10053
S - FIT STANDARD CONTACT 2995B10054
SECURE CONTACTS USING FIXING SCREW 2109F99009.
POSITIONS SHOWN BLANK ARE UNUSED



VIEW FROM NUMBERED SIDE OF BLOCK

OUTER TERMINAL BLOCK ASSY: -

ASSEMBLY INSTRUCTIONS: -
TYPICAL ASSEMBLY DRAWING 2995G10029.
AT INDICATED POSITIONS FIT AS FOLLOWS:
S - FIT STANDARD CONTACT 2995B10051
HC - FIT 'HEAVY CURRENT' KIT 2995G10030
WHERE IS SHOWN FIT CT SHORTING KIT 2995G10031
POSITIONS SHOWN BLANK ARE UNUSED.
ALL POSITIONS FIT SCREW 2106F12506.



VIEW FROM INSIDE FACE

Copyright © 2000 VA TECH Reyrolle Ltd. Hebburn

Title: T.B. AND W.D. FOR AR OR FR2-1/2-2 4 CONT. RELAYS IN EPSILON E4 CASE.			First used on:		
4 RDW 10/07/12 MN11C/3479			Similar Articles:		
3 RDW 29/6/4 112/2648			Supersedes:		
2 12/04/00 MN995/09			Drg.No. 2112W50024		
ISSUE DATE MOD.No.			Original Scale:		
DRAWN: A.LAW. CHECKED:			APPROVED: R.D.WATSON DATE: 16/07/02 IE: OPS:		
VA TECH Reyrolle AUTOMATION, CONTROL & PROTECTION					