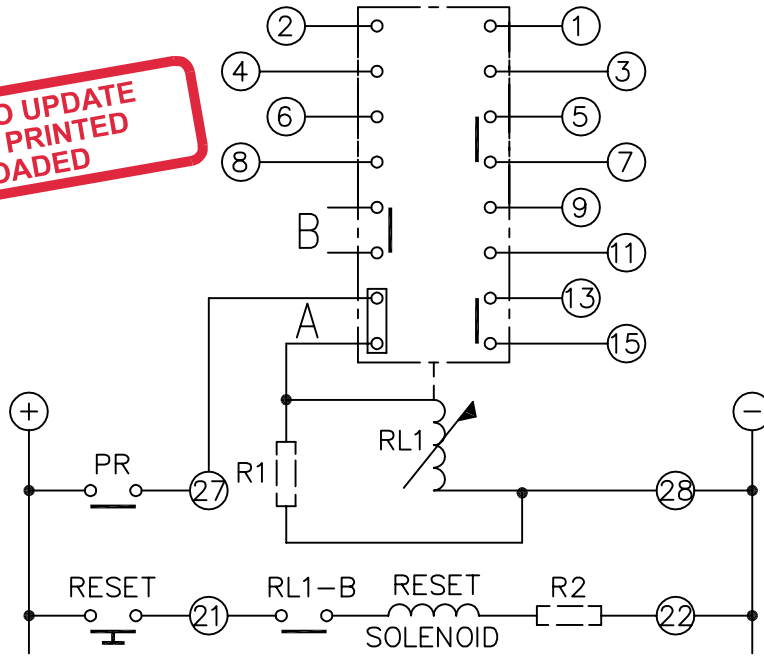


LOOKING ON FRONT OF RELAY

2112W50121

**NOT SUBJECT TO UPDATE  
ONCE COPIED / PRINTED  
OR DOWNLOADED**



220&240 1x470R 2102C45471 1x470R 2102C15471

KEY	220&240	1x470R 2102C45471	1x470R 2102C15471
○ ○	125	2x100R in series 2102C41101	NIL
⊠	50	1x390R 2102C35391	NIL
⊠ ⊠	30	NIL	1x6R8 2102C15687
⊠ ⊠ ⊠	24	NIL	NIL
⊠ ⊠ ⊠ ⊠	VDC	R1	R2

CONTACT CONFIG.	OUTPUT CONTACT PAIR / TERMINAL No.					
	1-3	2-4	5-7	6-8	9-11	13-15
6M	M	M	M	M	M	M
5M 1B	M	B	M	M	M	M
4M 2B	B	B	M	M	M	M
3M 3B	B	B	M	B	M	M
2M 4B	B	B	M	B	B	M

NOTE:  
 1. CONTACT CONFIGURATION ABOVE IS REQUIRED FOR RELAY OPERATION. FOR DETAILS OF VARIABLE CONTACT OPTIONS SEE TABLE OPPOSITE.  
 2. RESISTORS R1 & R2 ARE FITTED ONLY WHEN REQUIRED. SEE TABLE ABOVE.

FRAME REFERENCE: E2FAQM.

FRAME TERMINAL BLOCK ASSY: -

ASSEMBLY INSTRUCTIONS: -

TYPICAL ASSEMBLY DRAWING 2995G10032.

AT INDICATED POSITIONS FIT AS FOLLOWS:

T - FIT TRIP ISOLATION CONTACT 2995B10053

S - FIT STANDARD CONTACT 2995B10054

SECURE CONTACTS USING FIXING SCREW

2109F99009.

POSITIONS SHOWN BLANK ARE UNUSED

2	T	T	1
4	T	T	3
6	T	T	5
8	T	T	7
10		T	9
12		T	11
14		T	13
16		T	15
18			17
20			19
22	S	S	21
24			23
26			25
28	S	S	27

VIEW FROM NUMBERED  
SIDE OF BLOCK

OUTER TERMINAL BLOCK ASSY: -

ASSEMBLY INSTRUCTIONS: -

TYPICAL ASSEMBLY DRAWING 2995G10029.

AT INDICATED POSITIONS FIT AS FOLLOWS:

S - FIT STANDARD CONTACT 2995B10051

HC - FIT 'HEAVY CURRENT' KIT 2995G10030

WHERE ○ ○ IS SHOWN FIT CT SHORTING

KIT 2995G10031

POSITIONS SHOWN BLANK ARE UNUSED.

ALL POSITIONS FIT SCREW 2106F12506.

2	S	S	1
4	S	S	3
6	S	S	5
8	S	S	7
10		S	9
12		S	11
14		S	13
16		S	15
18			17
20			19
22	S	S	21
24			23
26			25
28	S	S	27

VIEW FROM INSIDE  
FACE

			Title. T.B. AND WIRING DIAG. FOR TR231-6 RELAY IN EPSILON E2 CASE		First used on:	
					Similar Articles:	
					Supersedes:	
3 RDW	15/09/06	MN112/2832	VA TECH Reyrolle AUTOMATION, CONTROL & PROTECTION		Original Scale. Drg.No. 2112W50121	
2 RDW	14/11/05	MN112/2744				
1	09/02/00					
ISSUE	DATE	MOD.No.	DRAWN: A.LAW.		CHECKED:	
			APPROVED: R.D.WATSON		DATE: 17/07/02	
			Copyright © 2000		VA TECH Reyrolle Ltd. Hebburn	