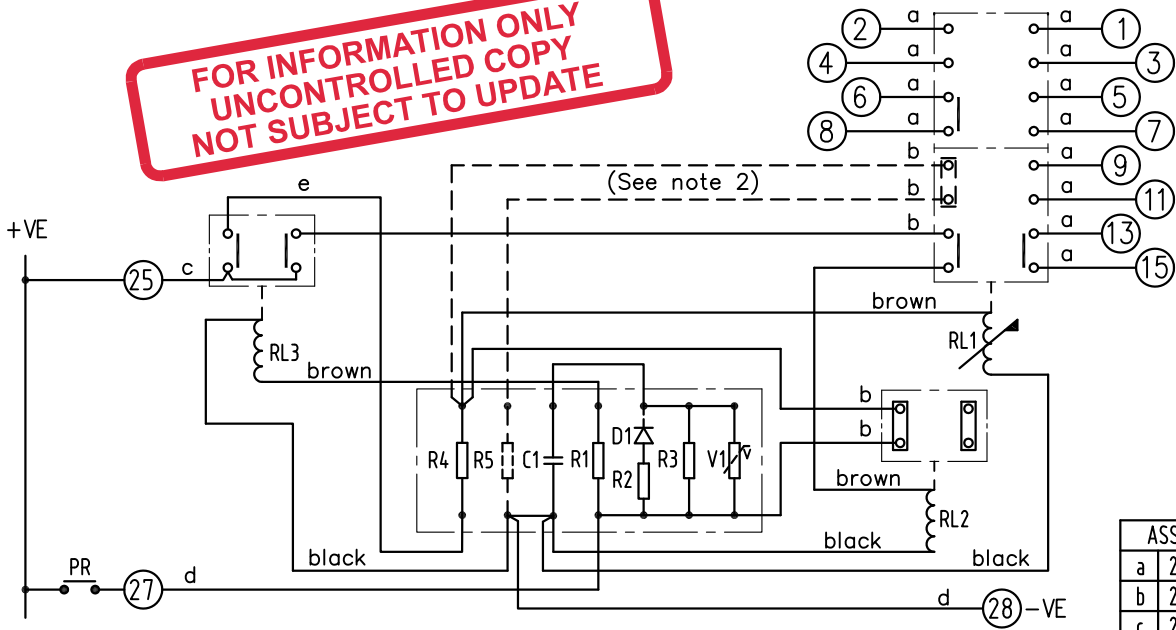


LOOKING ON FRONT OF RELAY

**FOR INFORMATION ONLY
UNCONTROLLED COPY
NOT SUBJECT TO UPDATE**

2112W50057



ASSEMBLY WIRES USED	
a	2107B10001 12 OFF
b	2107B10004 5 OFF
c	2107D10164 1 OFF
d	2107D10165 2 OFF
e	2107D10169 1 OFF

RL3 COIL	2112G20019	2112G20020	2112G20022	2112G20026
RL2 COIL	2112G20020	2112G20021	2112G20023	2112G20027
RL1 COIL	2112G20013	2112G20014	2112G20016	2112G20020
V1				Z15L681 2105C52681
R5			390R 2102C41391	2x100R IN SER. 2102C41101
R4	2x68R IN SER.2102C45680	2x68R IN SER. 2102C45680	2x820R IN // 2102C45821	2x3K9 IN // 2102C45392
R3	100R 2102C41101	100R 2102C41101	100R 2102C41101	1K5 2102C35152
R2				330R 2102C45331
R1	220R 2102C45221			560R 2102C35561
D1				1N4007 2105C11006
C1	2200 µF 2104C53222	2200 µF 2104C53222	2200 µF 2104C53222	100 µF 2104C56100
Vdc	24	30	48	60 125 240

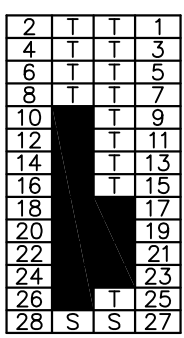
- KEY**
- make contact
 - break contact
 - c/o contact
 - ext. conn
 - plug bridge - shorting
 - metering point
 - 5Kv barrier
 - test socket - shorting
 - plug & socket

CONTACT CONFIG.	OUTPUT CONTACT PAIR / TERMINAL No.					
	1-3	2-4	5-7	6-8	9-11	13-15
6M	M	M	M	M	M	M
5M 1B	M	B	M	M	M	M
4M 2B	B	B	M	M	M	M
3M 3B	B	B	B	M	M	M
2M 4B	B	B	B	M	B	M

NOTE:

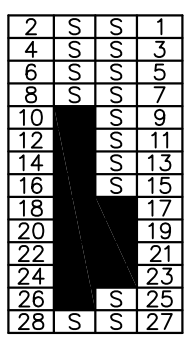
- CONTACT CONFIGURATION ABOVE IS REQD FOR RELAY OPERATION. FOR DETAILS OF VARIABLE CONTACT OPTIONS SEE TABLE OPPOSITE.
- COMPONENTS ARE FITTED ONLY WHEN REQD. SEE ABOVE TABLE.
- AREAS INDICATED THUS --- APPLY TO 48V AND 125V ONLY.

FRAME REFERENCE: E4FE02.
 FRAME TERMINAL BLOCK ASSY: -
 ASSEMBLY INSTRUCTIONS: -
 TYPICAL ASSEMBLY DRAWING 2995G10032.
 AT INDICATED POSITIONS FIT AS FOLLOWS:
 T - FIT TRIP ISOLATION CONTACT 2995B10053
 S - FIT STANDARD CONTACT 2995B10054
 SECURE CONTACTS USING FIXING SCREW 2109F99009.
 POSITIONS SHOWN BLANK ARE UNUSED



VIEW FROM NUMBERED SIDE OF BLOCK

OUTER TERMINAL BLOCK ASSY: -
 ASSEMBLY INSTRUCTIONS: -
 TYPICAL ASSEMBLY DRAWING 2995G10029.
 AT INDICATED POSITIONS FIT AS FOLLOWS:
 S - FIT STANDARD CONTACT 2995B10051
 HC - FIT 'HEAVY CURRENT' KIT 2995G10030
 WHERE IS SHOWN FIT CT SHORTING KIT 2995G10031
 POSITIONS SHOWN BLANK ARE UNUSED.
 ALL POSITIONS FIT SCREW 2106F12506.



VIEW FROM INSIDE FACE

5 N.C 24/04/14 MN112/3778 JB			Title: T. B. AND WIRING DIAG. FOR TR214-6 RELAY IN EPSILON E4 CASE.		First used on:	
4 RDW 12/02/12 MN112/3496 JB			Reyrolle Protection Hebburn.		Similar Articles:	
3 RDW 14/11/05 MN112/2744					Supersedes:	
2 27/02/01 MN112/266			Original Scale:		Drg.No. 2112W50057	
ISSUE DATE MOD.No.			APPROVED: R.D.WATSON		Copyright © 1999 Reyrolle Ltd.	
DRAWN: A.LAW.			CHECKED:		DATE: 16/07/02	