

IF IN DOUBT ASK
DO NOT SCALE

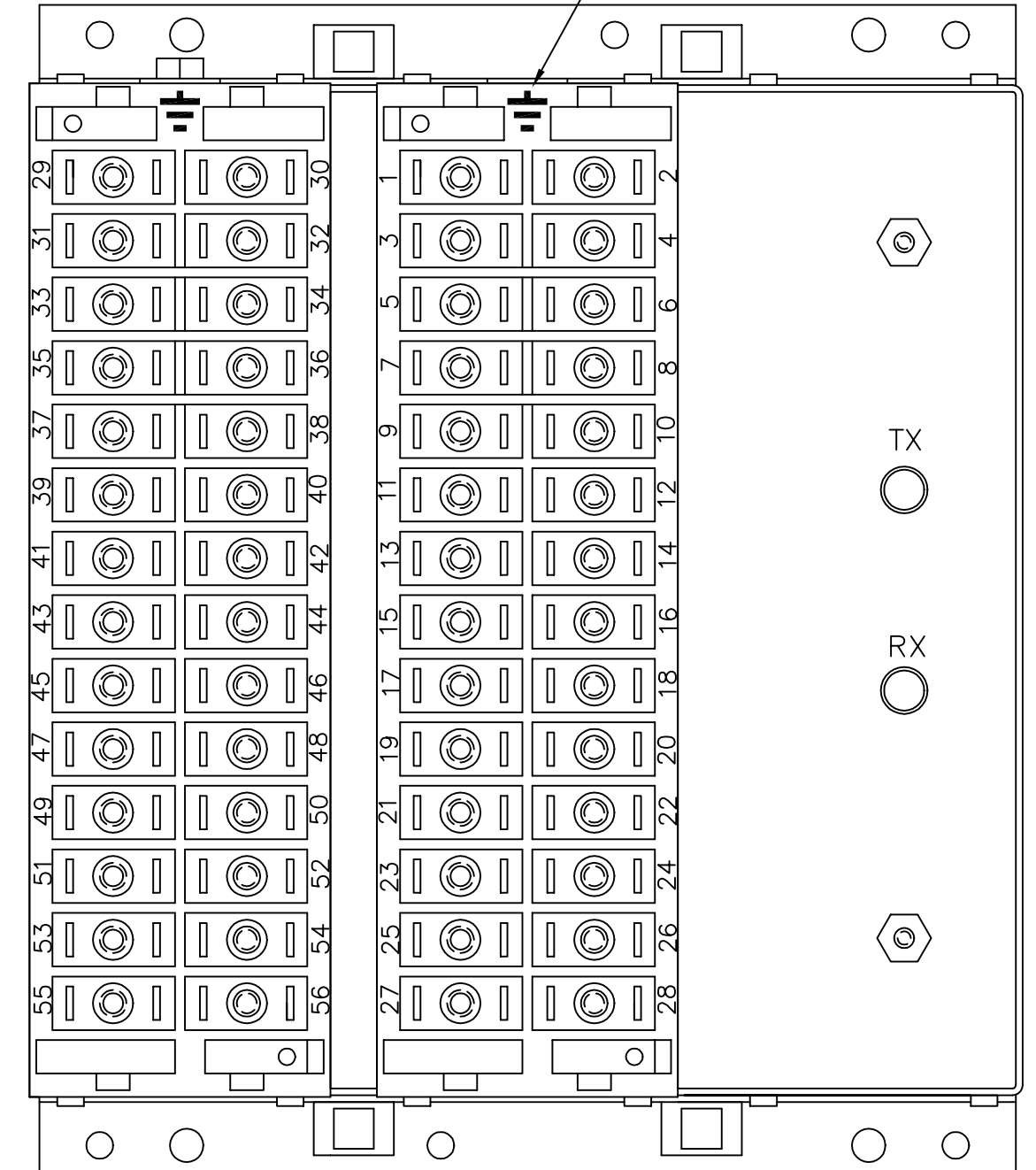
NOTES
 1 FOR R6 BOX ASSY SEE 2434H10002 (A1)
 2 TERMINALS RECOMMENDED ARE PRE INSULATED & MUST BE CRIMPED USING APPROVED TOOLING. AMP PIDG OR PLASTI GRIP FUNNEL ENTRY (RING TONGUE) FOR M4 FIXING STUD.

SUPPLIER	AMP	CABLE SIZE
AMP	342103	0.25-1.6 SQ MM
AMP	342143	1.0-2.6 SQ MM.

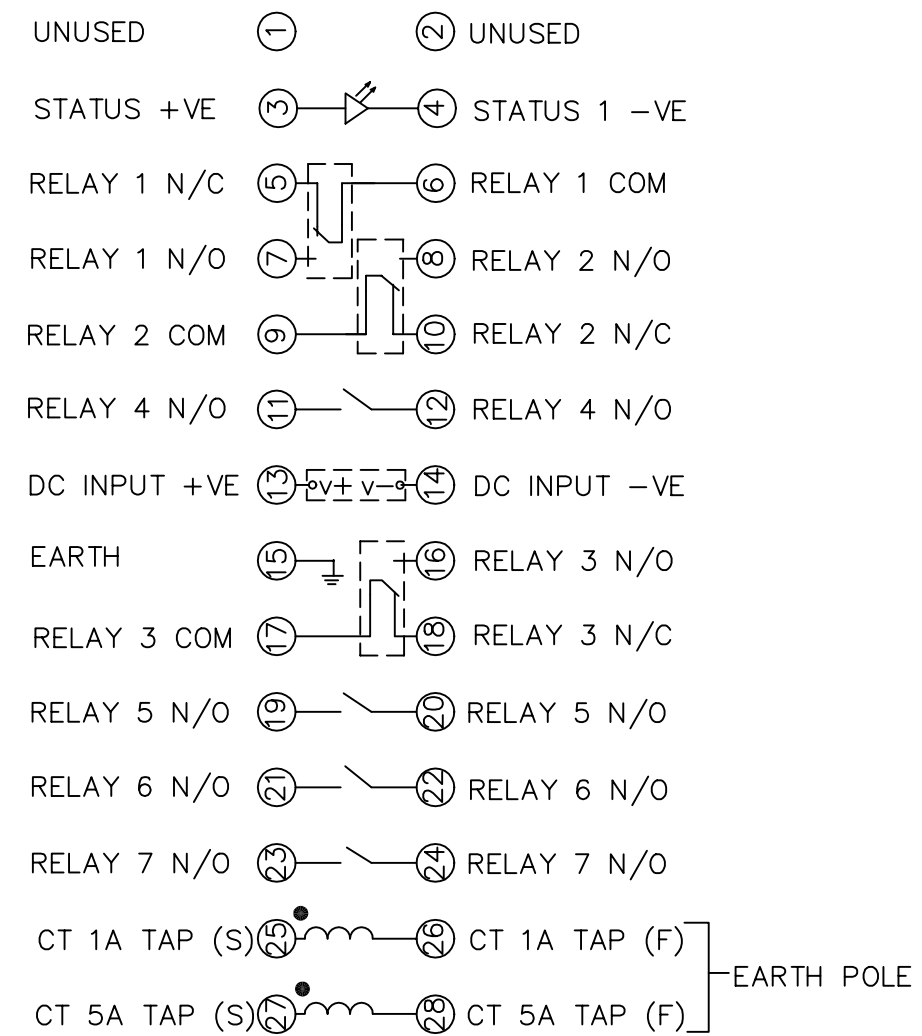
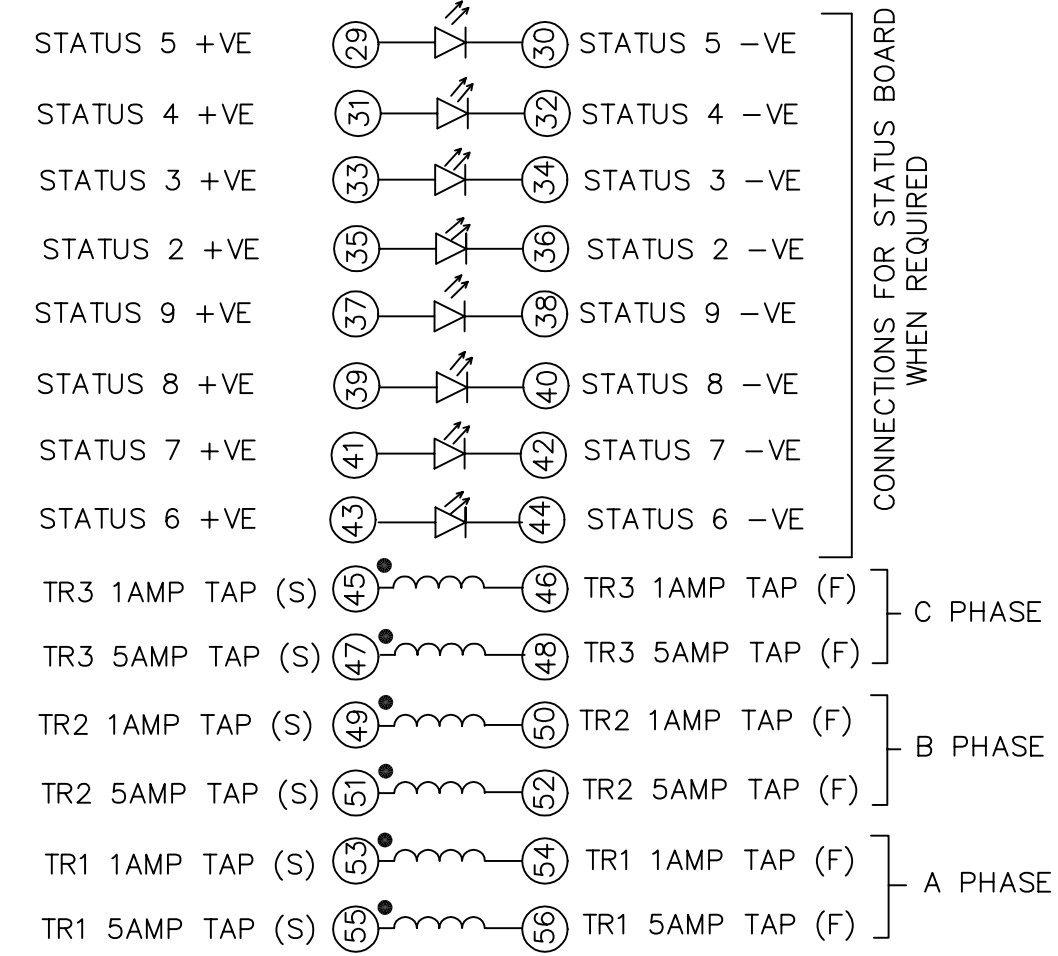
 OR ANY OTHER MANUFACTURERS EQUIVALENT TERMINAL.

3 FOR OUTLINE & DRILLING DRG SEE 2434X10001 (A4).
 4 EARTH SYMBOL TO BE BLANKED OUT ON CONNECTOR THAT DOES NOT HAVE EARTH SCREW FITTED

SEE NOTE 4



BOX VIEWED FROM REAR



**NOT SUBJECT TO UPDATE
ONCE COPIED / PRINTED
OR DOWNLOADED**

MATERIAL:		Finish:		Title:		First used on:	
Dimensions in millimetres ; Surface texture in micrometres. Machine where marked ✓ For explanation of dimensions, tolerances, notes etc. see B.S.308. Limit on untoleranced unmachined dimensions ± _____ Limits on untoleranced machined dimensions to B.S.4500; i.e. up to 6±0.1; over 30 to 120±0.3; over 315±0.8; over 6 to 30±0.2; over 120 to 315±0.5; General unmachined angular tolerance ± _____		Treatment:		TERMINAL IDENTIFICATION & RELAY WIRING DIAGRAM RH03 MOTOR PROTECTION RELAY (REYMOS R6 CASE)		Similar Articles: 2681W20002	
DRAWN M LEASK		CHECKED		APPROVED R.D.WATSON		Supersedes:	
DATE 23/07/02		IE		OPS		Original Scale. 1:1	
Purch.Spec. TQ		EAC		CE		Drg. No. 2681W20001	
STD		A2		CHANGE NOTED		1 26/7/99	

Copyright © 1999 Reyrolle Ltd.