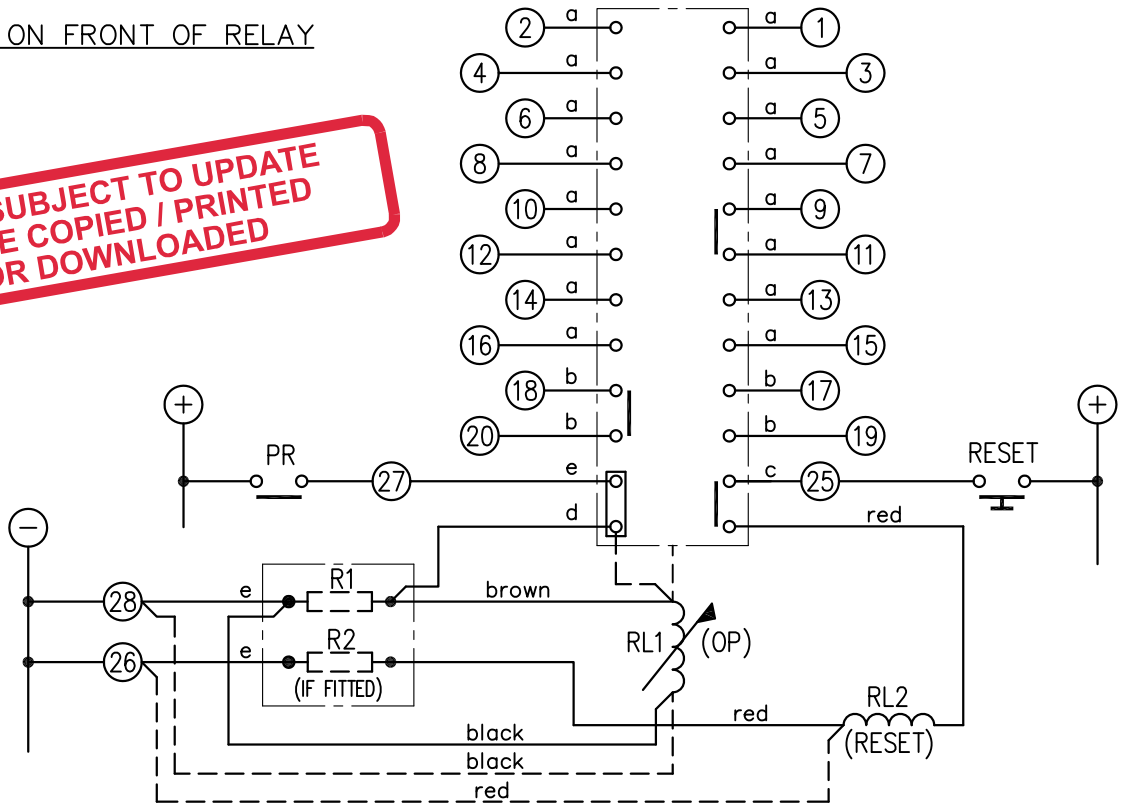


2112W50015

LOOKING ON FRONT OF RELAY

NOT SUBJECT TO UPDATE  
ONCE COPIED / PRINTED  
OR DOWNLOADED



220&240	1x470R	2102C45471	1x470R	2102C15471	2112G20023	SOLKIT: 36V	ASSEMBLY WIRES USED
125	2x100R in series	2102C41101	NIL	NIL	2112G20020	SOLKIT: 36V	a 2107B10001 16 OFF
50	1x390R	2102C35391	1x18R	2102C25180	2112G20016	SOLKIT: 6V	b 2107B10002 4 OFF
30	NIL	NIL	1x6R8	2102C15687	2112G20014	SOLKIT: 6V	c 2107B10003 1 OFF
24	NIL	NIL	NIL	NIL	2112G20013	SOLKIT: 6V	d 2107D10169 1 OFF
VDC	R1	R2	RL1 (OP) COIL	RL2 (RESET) KIT	e	2107D10164	3 OFF

- KEY**
- make contact
  - break contact
  - c/o contact
  - ext. conn
  - plug bridge - shorting
  - metering point
  - 5Kv barrier
  - test socket - shorting
  - plug & socket

CONTACT CONFIG.	OUTPUT CONTACT PAIR / TERMINAL No.										
	1-3	2-4	5-7	6-8	9-11	10-12	13-15	14-16	17-19	18-20	
10M	M	M	M	M	M	M	M	M	M	M	
9M 1B	M	B	M	M	M	M	M	M	M	M	
8M 2B	B	B	M	M	M	M	M	M	M	M	
7M 3B	B	B	M	B	M	M	M	M	M	M	
6M 4B	B	B	B	B	M	M	M	M	M	M	
5M 5B	B	B	B	B	M	B	M	M	M	M	
4M 6B	B	B	B	B	M	M	B	B	B	M	
3M 7B	B	B	B	B	M	M	B	B	B	M	
2M 8B	B	B	B	B	M	B	B	B	B	M	

**NOTE:**

- CONTACT CONFIGURATION ABOVE IS REQUIRED FOR RELAY OPERATION. FOR DETAILS OF VARIABLE CONTACT OPTIONS SEE TABLE OPPOSITE.
- RESISTORS R1 & R2 ARE FITTED ONLY WHEN REQUIRED. SEE TABLE ABOVE.
- DASHED LINE --- SHOWS CONNECTIONS WHEN RESISTORS ARE NOT FITTED.

FRAME REFERENCE: E2FAQM.  
FRAME TERMINAL BLOCK ASSY: -

ASSEMBLY INSTRUCTIONS: -  
TYPICAL ASSEMBLY DRAWING 2995G10032.  
AT INDICATED POSITIONS FIT AS FOLLOWS:  
T - FIT TRIP ISOLATION CONTACT 2995B10053  
S - FIT STANDARD CONTACT 2995B10054  
SECURE CONTACTS USING FIXING SCREW 2109F99009.  
POSITIONS SHOWN BLANK ARE UNUSED

2	T	T	1
4	T	T	3
6	T	T	5
8	T	T	7
10	T	T	9
12	T	T	11
14	T	T	13
16	T	T	15
18	T	T	17
20	T	T	19
22			21
24			23
26	S	S	25
28	S	S	27

VIEW FROM NUMBERED SIDE OF BLOCK

OUTER TERMINAL BLOCK ASSY: -

ASSEMBLY INSTRUCTIONS: -  
TYPICAL ASSEMBLY DRAWING 2995G10029.  
AT INDICATED POSITIONS FIT AS FOLLOWS:  
S - FIT STANDARD CONTACT 2995B10051  
HC - FIT 'HEAVY CURRENT' KIT 2995G10030  
WHERE IS SHOWN FIT CT SHORTING KIT 2995G10031  
POSITIONS SHOWN BLANK ARE UNUSED.  
ALL POSITIONS FIT SCREW 2106F12506.

2	S	S	1
4	S	S	3
6	S	S	5
8	S	S	7
10	S	S	9
12	S	S	11
14	S	S	13
16	S	S	15
18	S	S	17
20	S	S	19
22			21
24			23
26	S	S	25
28	S	S	27

VIEW FROM INSIDE FACE

6 RDW	13/07/12	MN1110/3479
5 RDW	31/05/11	MN112/3408
4 RDW	15/09/06	MN112/2832
3 RDW	14/11/05	MN112/2744
2	08/02/00	MN112/247
ISSUE	DATE	MOD.No.

Title.  
T.B. AND WIRING DIAG. FOR TR231-10/  
TR241-10 RELAYS IN EPSILON E2 CASE.

**Reyrolle Protection  
Hebburn.**

Original Scale.

First used on:  
Similar Articles:  
Supersedes:  
Drg.No.  
**2112W50015**