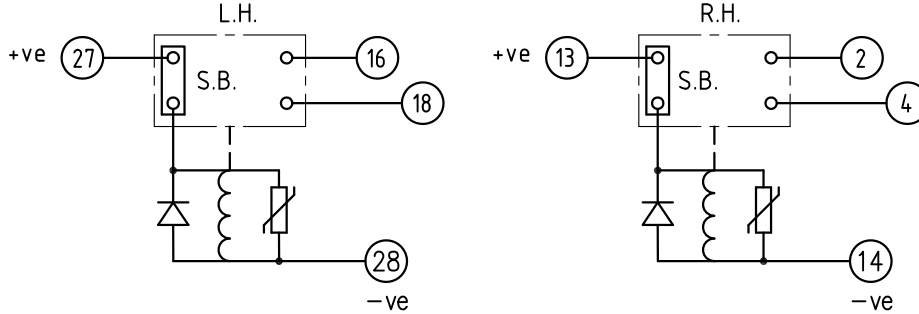


LOOKING ON FRONT OF RELAY

2112W50246

**NOT SUBJECT TO UPDATE
ONCE COPIED / PRINTED
OR DOWNLOADED**

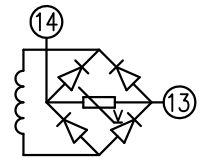


KEY

- make contact
- break contact
- c/o contact
- ext. conn
- plug bridge - shorting
- metering point
- 5Kv barrier
- test socket - shorting
- plug & socket

CONTACT CONFIG.	OUTPUT CONTACT PAIR / TERMINAL No.					
R.H. →	1-3	2-4	5-7	6-8	9-11	10-12
L.H. →	15-17	16-18	19-21	20-22	23-25	24-26
1M 1SB	/	M	/	/	/	/
1B 1SB	/	B	/	/	/	/

NOTE: WHEN RECTIFIER IS SPECIFIED COIL CONNS. ARE AS SHOWN.



FRAME REFERENCE: E4FS09.
 FRAME TERMINAL BLOCK ASSY: -
 ASSEMBLY INSTRUCTIONS: -
 TYPICAL ASSEMBLY DRAWING 2995G10032.
 AT INDICATED POSITIONS FIT AS FOLLOWS:
 T - FIT TRIP ISOLATION CONTACT 2995B10053
 S - FIT STANDARD CONTACT 2995B10054
 SECURE CONTACTS USING FIXING SCREW 2109F99009.
 POSITIONS SHOWN BLANK ARE UNUSED

2	T	1
4	T	3
6		5
8		7
10		9
12		11
14	S	S
16	T	15
18	T	17
20		19
22		21
24		23
26		25
28	S	S

VIEW FROM NUMBERED SIDE OF BLOCK

OUTER TERMINAL BLOCK ASSY: -
 ASSEMBLY INSTRUCTIONS: -
 TYPICAL ASSEMBLY DRAWING 2995G10029.
 AT INDICATED POSITIONS FIT AS FOLLOWS:
 S - FIT STANDARD CONTACT 2995B10051
 HC - FIT 'HEAVY CURRENT' KIT 2995G10030
 WHERE IS SHOWN FIT CT SHORTING KIT 2995G10031
 POSITIONS SHOWN BLANK ARE UNUSED.
 ALL POSITIONS FIT SCREW 2106F12506.

2	S	1
4	S	3
6		5
8		7
10		9
12		11
14	S	S
16	S	15
18	S	17
20		19
22		21
24		23
26		25
28	S	S

VIEW FROM INSIDE FACE

1	12/05/15	MOD.No.	Title: T.B. & W.D. FOR AR212SBD 2 CONTACT RELAYS IN E4 CASE		First used on:
			SIEMENS PROTECTION DEVICES LTD.		Similar Articles:
ISSUE	DATE	MOD.No.	Original Scale:	Drg.No. 2112W50246	
DRAWN: J. SPOWART	CHECKED:	APPROVED: N.C	DATE: 12-05-2015	IE:	OPS: