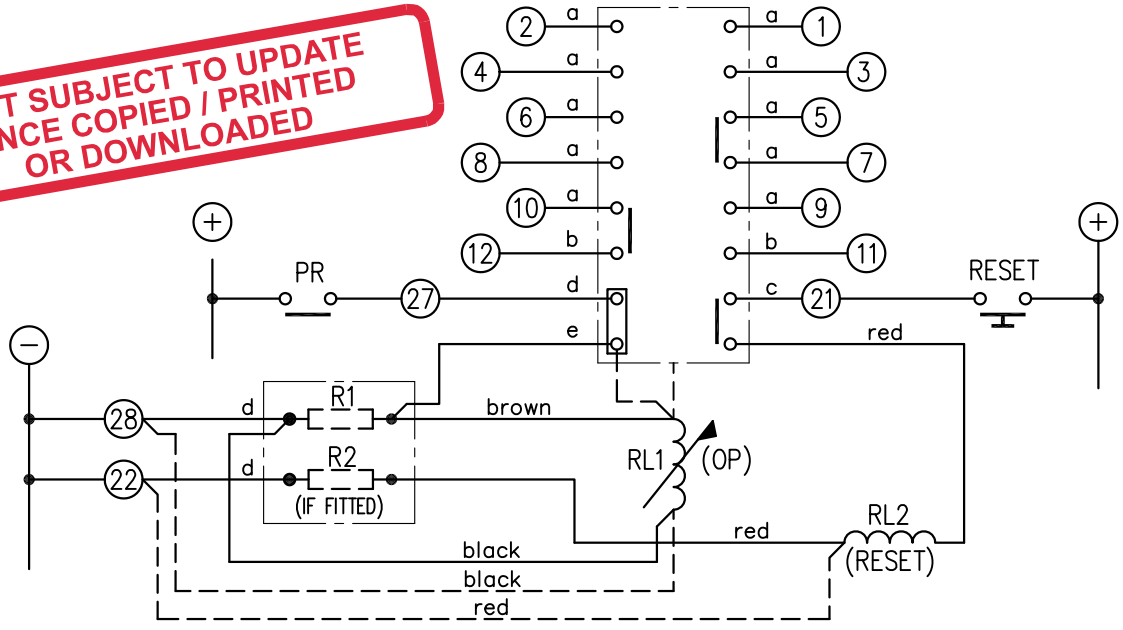


LOOKING ON FRONT OF RELAY

NOT SUBJECT TO UPDATE
ONCE COPIED / PRINTED
OR DOWNLOADED



220&240	1x470R 2102C45471	1x470R 2102C15471	2112G20023	SOLKIT: 36V	ASSEMBLY WIRES USED	
125	2x100R in series 2102C41101	NIL	2112G20020	SOLKIT: 36V	a	2107B10001 10 OFF
50	1x390R 2102C35391	1x18R 2102C25180	2112G20016	SOLKIT: 6V	b	2107B10002 2 OFF
30	NIL	1x6R8 2102C15687	2112G20014	SOLKIT: 6V	c	2107B10003 1 OFF
24	NIL	NIL	2112G20013	SOLKIT: 6V	d	2107D10164 3 OFF
VDC	R1	R2	RL1 (OP) COIL	RL2 (RESET) KIT	e	2107D10169 1 OFF

- KEY**
- make contact
 - break contact
 - c/o contact
 - ext. conn
 - plug bridge - shorting
 - metering point
 - 5Kv barrier
 - test socket - shorting
 - plug & socket

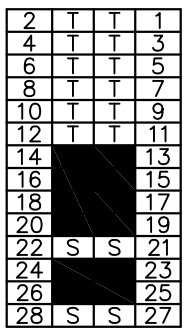
CONTACT CONFIG.	OUTPUT CONTACT PAIR / TERMINAL No.					
	1-3	2-4	5-7	6-8	9-11	10-12
6M	M	M	M	M	M	M
5M 1B	M	B	M	M	M	M
4M 2B	B	B	M	M	M	M
3M 3B	B	B	M	B	M	M
2M 4B	B	B	M	B	B	M

NOTE:

- CONTACT CONFIGURATION ABOVE IS REQUIRED FOR RELAY OPERATION. FOR DETAILS OF VARIABLE CONTACT OPTIONS SEE TABLE OPPOSITE.
- RESISTORS R1 & R2 ARE FITTED ONLY WHEN REQUIRED SEE TABLE ABOVE.
- DASHED LINE --- SHOWS CONNECTIONS WHEN RESISTORS ARE NOT FITTED.

FRAME REFERENCE: E2FAQM.
FRAME TERMINAL BLOCK ASSY: -

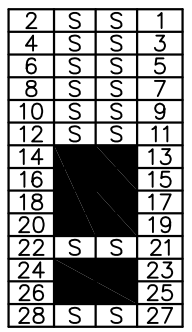
ASSEMBLY INSTRUCTIONS: -
TYPICAL ASSEMBLY DRAWING 2995G10032.
AT INDICATED POSITIONS FIT AS FOLLOWS:
T - FIT TRIP ISOLATION CONTACT 2995B10053
S - FIT STANDARD CONTACT 2995B10054
SECURE CONTACTS USING FIXING SCREW 2109F99009.
POSITIONS SHOWN BLANK ARE UNUSED



VIEW FROM NUMBERED SIDE OF BLOCK

OUTER TERMINAL BLOCK ASSY: -

ASSEMBLY INSTRUCTIONS: -
TYPICAL ASSEMBLY DRAWING 2995G10029.
AT INDICATED POSITIONS FIT AS FOLLOWS:
S - FIT STANDARD CONTACT 2995B10051
HC - FIT 'HEAVY CURRENT' KIT 2995G10030
WHERE IS SHOWN FIT CT SHORTING KIT 2995G10031
POSITIONS SHOWN BLANK ARE UNUSED.
ALL POSITIONS FIT SCREW 2106F12506.



VIEW FROM INSIDE FACE

6 RDW	13/07/12	MN110/3479
5 RDW	31/05/11	MN112/3408
4 RDW	15/09/06	MN112/2832
3 RDW	14/11/05	MN112/2744
2	09/02/00	MN112/247
ISSUE	DATE	MOD.No.

Title:
T.B. AND WIRING DIAG. FOR TR241-6
RELAYS IN EPSILON E2 CASE.

First used on:
Similar Articles:
Supersedes:

**Reyrolle Protection
Hebburn.**

Original Scale.

Drg.No.
2112W50013