

IF IN DOUBT ASK
DO NOT SCALE

A

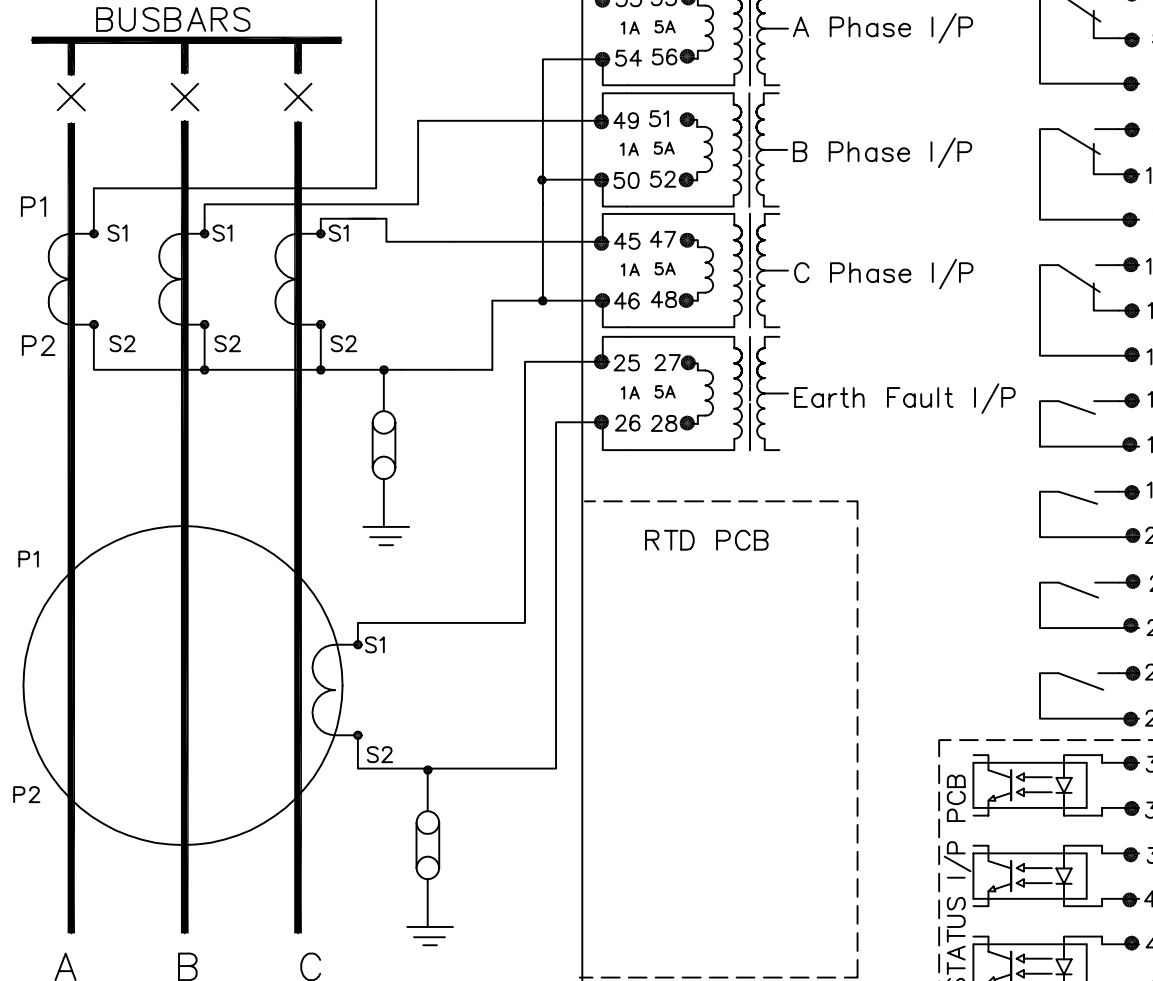
B

C

D

E

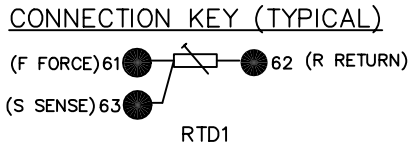
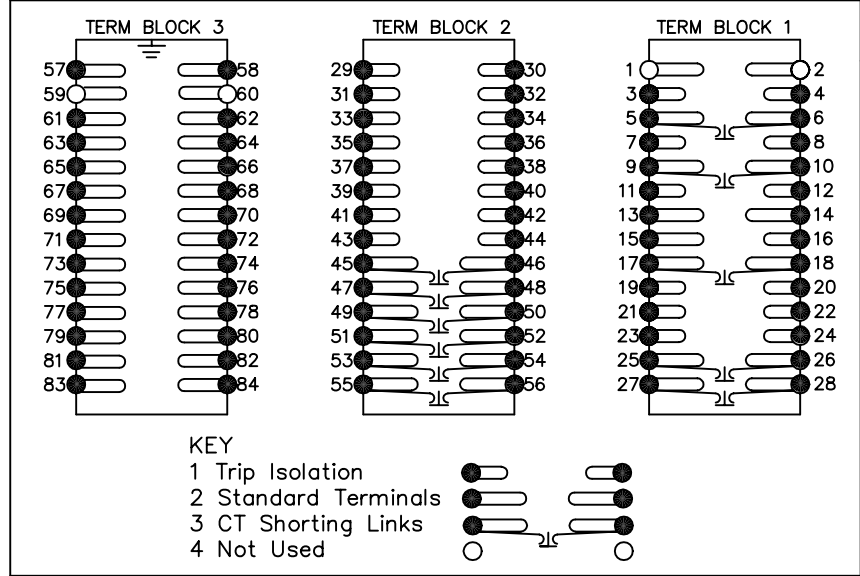
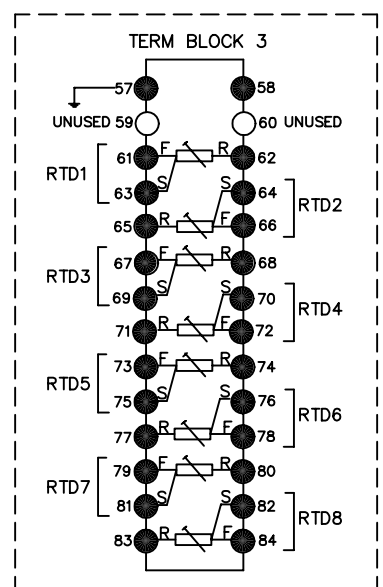
F



(RHO3 E8/R8 Case Size)

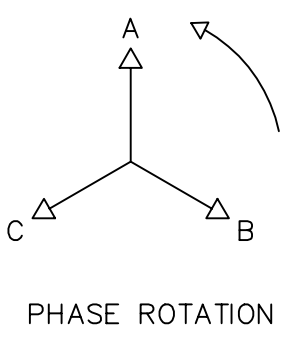
RESISTANCE TEMPERATURE DETECTOR (RTD)

TERMINAL BLOCKS VIEWED FROM REAR



**NOT SUBJECT TO UPDATE
ONCE COPIED / PRINTED
OR DOWNLOADED**

- NOTES
- 1 CT CIRCUITS ARE SHOWN CONNECTED TO RELAY 1 AMP TAP. USE ALTERNATIVE TAP FOR 5AMP RATED CTs.
 - 2 CT & EARTH CONNECTIONS ARE TYPICAL ONLY.
 - 3 FOR TERMINAL IDENTIFICATION & WIRING DIAGRAM. SEE 2681W20002 (A3) (REYMOs) FOR TERMINAL IDENTIFICATION & WIRING DIAGRAM. SEE 2681W50002 (A3) (EPSILON)



MATERIAL:

Dimensions in millimetres : Surface texture in micrometres. Machine where marked ✓ For explanation of dimensions, tolerances, notes etc. see B.S.308. Limit on untoleranced unmachined dimensions ± _____ Limits on untoleranced machined dimensions to B.S.4500; i.e. up to 6±0.1; over 30 to 120±0.3; over 315±0.8; over 6 to 30±0.2; over 120 to 315±0.5; General unmachined angular tolerance ± _____	Finish: _____ Treatment: _____	Title: TYPICAL SCHEMATIC DIAGRAM FOR RHO 3 MOTOR PROTECTION (SEPERATE CORE BALANCE CT) WITH RTD E8/R8 CASE	First used on: _____ Similar Articles: _____ Supersedes: _____
	Reyrolle Protection Hebburn.	Original Scale: NTS	Drg. No. 2681W10004
DRAWN M LEASK CHECKED _____ APPROVED R.D.WATSON	DATE 23/07/02 IE OPS PCP Purch.Spec. TQ EAC	CE STD A3	CHANGE NOTED

4	RDW	9/12/02	MN681/2443
3		19/4/02	MN434/2292
2		25/11/99	MN434/150
1		21/7/99	CHANGE
ISSUE		DATE	NOTED