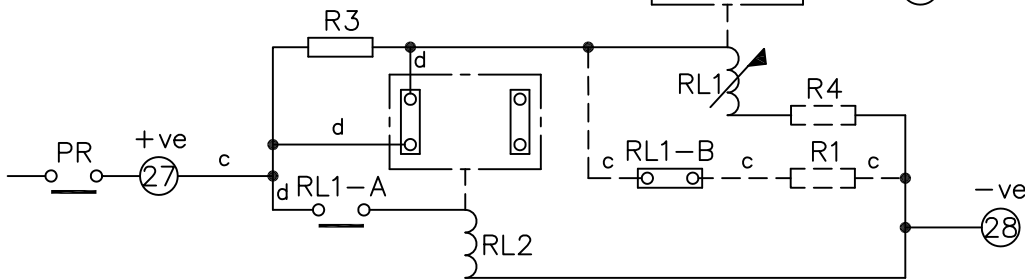
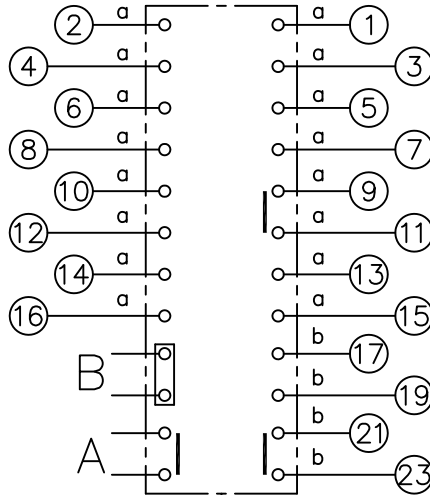


LOOKING ON FRONT OF RELAY

2112W50010

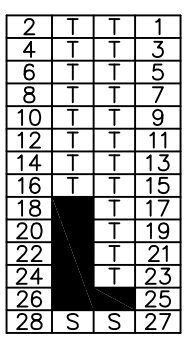
**FOR INTERNAL USE ONLY  
UNCONTROLLED COPY  
NOT SUBJECT TO UPDATE**



ASSEMBLY WIRES USED	
a	2107B10001 16 OFF
b	2107B10002 4 OFF
c	2107B10004 1 OR 4 OFF
d	2107D10166 3 OFF

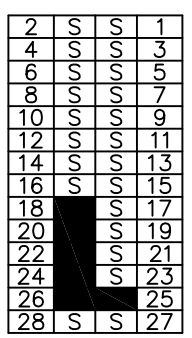
KEY	220&240		1x470R 2102C45471				1x6K8 2102C65682				NOT FITTED	
	○ ○	125	2x100R in series	2102C41101				2x3K9 in parallel				2102C45392
⊠	50	1x390R 2102C35391		2x820R in parallel				2102C45821				1x22R 2102C25220
○ ○ ○	30	NOT FITTED		2x68R in series				2102C45680				NOT FITTED
○ ○ ○ ○	24	NOT FITTED		2x180R in parallel				2102C45181				NOT FITTED
⊖	VDC	R1		R3				R4				
⊖	CONTACT CONFIG.	OUTPUT CONTACT PAIR / TERMINAL No.										NOTE: 1. CONTACT CONFIGURATION ABOVE IS REQUIRED FOR RELAY OPERATION. FOR DETAILS OF VARIABLE CONTACT OPTIONS SEE TABLE OPPOSITE. 2. AREAS INDICATED THUS --- APPLY TO 50V, 125V AND 220/240V ONLY.
⊖	10M	1-3	2-4	5-7	6-8	9-11	10-12	13-15	14-16	17-19	21-23	
⊖	9M 1B	M	M	M	M	M	M	M	M	M	M	
⊖	8M 2B	B	B	M	M	M	M	M	M	M	M	
⊖	7M 3B	B	B	M	B	M	M	M	M	M	M	
⊖	6M 4B	B	B	B	B	M	M	M	M	M	M	
⊖	5M 5B	B	B	B	B	M	B	M	M	M	M	
⊖	4M 6B	B	B	M	B	M	M	B	B	B	M	
⊖	3M 7B	B	B	B	B	M	M	B	B	B	M	
⊖	2M 8B	B	B	B	B	M	B	B	B	B	M	

FRAME REFERENCE: E4FE02.  
FRAME TERMINAL BLOCK ASSY: -  
ASSEMBLY INSTRUCTIONS: -  
TYPICAL ASSEMBLY DRAWING 2995G10032.  
AT INDICATED POSITIONS FIT AS FOLLOWS:  
T - FIT TRIP ISOLATION CONTACT 2995B10053  
S - FIT STANDARD CONTACT 2995B10054  
SECURE CONTACTS USING FIXING SCREW 2109F99009.  
POSITIONS SHOWN BLANK ARE UNUSED



VIEW FROM NUMBERED SIDE OF BLOCK

OUTER TERMINAL BLOCK ASSY: -  
ASSEMBLY INSTRUCTIONS: -  
TYPICAL ASSEMBLY DRAWING 2995G10029.  
AT INDICATED POSITIONS FIT AS FOLLOWS:  
S - FIT STANDARD CONTACT 2995B10051  
HC - FIT 'HEAVY CURRENT' KIT 2995G10030  
WHERE ⊖ ○ ○ IS SHOWN FIT CT SHORTING KIT 2995G10031  
POSITIONS SHOWN BLANK ARE UNUSED.  
ALL POSITIONS FIT SCREW 2106F12506.



VIEW FROM INSIDE FACE

3 RDW 25/8/13	25/06/13	MN112/3646	Title: T.B. AND WIRING DIAG. FOR TR212-10 RELAYS IN EPSILON E4 CASE.	First used on:
4 SEE 5	09/02/10	MN112/3249		Similar Articles:
3 RDW	11/11/05	MN112/2744	Reyrolle Protection Hebburn.	Supersedes:
2 RDW	9/7/03	MN112/2560		Drg.No.
1	06/04/99			2112W50010
ISSUE	DATE	MOD.No.	Original Scale:	Copyright © 1998 Reyrolle Ltd.
DRAWN: A.LAW.	CHECKED:	APPROVED: R.D.WATSON	DATE: 16/07/02	