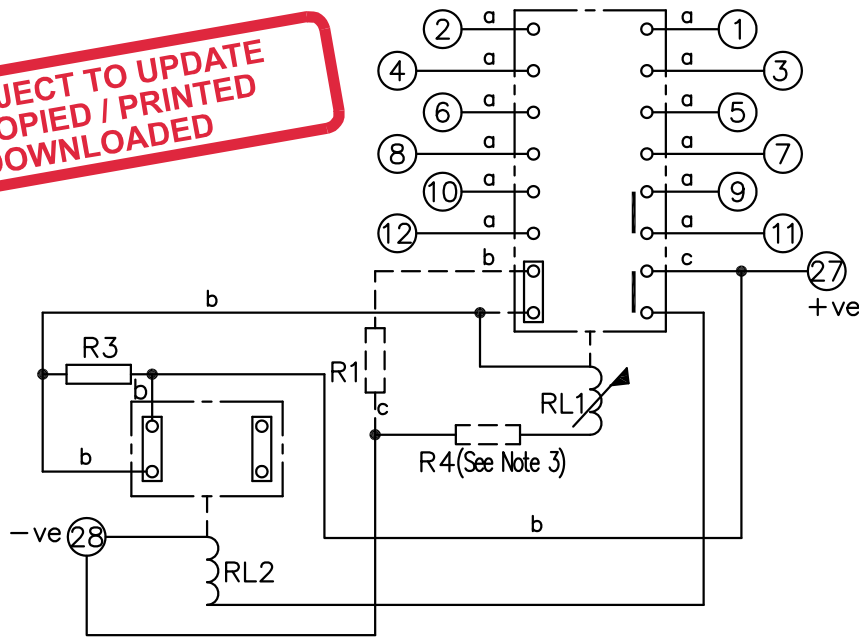


2112W50009

LOOKING ON FRONT OF RELAY

NOT SUBJECT TO UPDATE
ONCE COPIED / PRINTED
OR DOWNLOADED



ASSEMBLY WIRES USED		
a	2107B10001	12 OFF
b	2107B10004	4 OR 5 OFF
c	2107D10166	1 OR 2 OFF

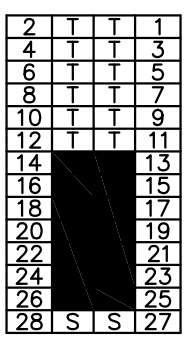
KEY	220&240	1x470R 2102C45471	1x6K8 2102C65682	NOT FITTED
	○ ○ make contact	125	2x100R in series 2102C41101	2x3K9 in parallel 2102C45392
⊞ break contact	50	1x390R 2102C35391	2x820R in parallel 2102C45821	1x22R 2102C25220
○ ○ ○ c/o contact	30	NOT FITTED	2x68R in series 2102C45680	NOT FITTED
⊞ ⊞ ⊞ 5Kv barrier	24	NOT FITTED	2x180R in parallel 2102C45181	NOT FITTED
⊞ ⊞ ⊞ test socket - shorting	VDC	R1	R3	R4

CONTACT CONFIG.	OUTPUT CONTACT PAIR / TERMINAL No.					
	1-3	2-4	5-7	6-8	9-11	10-12
6M	M	M	M	M	M	M
5M 1B	M	B	M	M	M	M
4M 2B	B	B	M	M	M	M
3M 3B	B	B	M	B	M	M
2M 4B	B	B	B	B	M	M
1M 5B	B	B	B	B	M	B

NOTE:
 1. CONTACT CONFIGURATION ABOVE IS REQUIRED FOR RELAY OPERATION. FOR DETAILS OF VARIABLE CONTACT OPTIONS SEE TABLE OPPOSITE.
 2. AREAS INDICATED THUS --- APPLY TO 50V, 125V AND 220/240V ONLY.
 3. R4 RESISTOR IS ONLY FITTED TO 50V VARIANTS.

FRAME REFERENCE: E4FE02.
 FRAME TERMINAL BLOCK ASSY: -

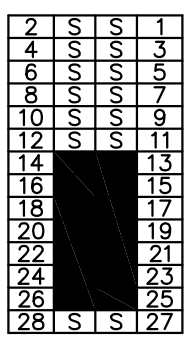
ASSEMBLY INSTRUCTIONS: -
 TYPICAL ASSEMBLY DRAWING 2995G10032.
 AT INDICATED POSITIONS FIT AS FOLLOWS:
 T - FIT TRIP ISOLATION CONTACT 2995B10053
 S - FIT STANDARD CONTACT 2995B10054
 SECURE CONTACTS USING FIXING SCREW 2109F99009.
 POSITIONS SHOWN BLANK ARE UNUSED



VIEW FROM NUMBERED SIDE OF BLOCK

OUTER TERMINAL BLOCK ASSY: -

ASSEMBLY INSTRUCTIONS: -
 TYPICAL ASSEMBLY DRAWING 2995G10029.
 AT INDICATED POSITIONS FIT AS FOLLOWS:
 S - FIT STANDARD CONTACT 2995B10051
 HC - FIT 'HEAVY CURRENT' KIT 2995G10030
 WHERE ⊞ ⊞ ⊞ IS SHOWN FIT CT SHORTING KIT 2995G10031
 POSITIONS SHOWN BLANK ARE UNUSED.
 ALL POSITIONS FIT SCREW 2106F12506.



VIEW FROM INSIDE FACE

Title: T.B. AND WIRING DIAG. FOR TR212-6 RELAYS IN EPSILON E4 CASE.			First used on:	
5 RDW 19/04/13 MN112/3621 4 RDW 09/02/10 MN112/3249 3 RDW 11/11/05 MN112/2744 2 10/07/00 MN112/257			Similar Articles:	
Reyrolle Protection Hebburn.			Supersedes:	
DRAWN: A.LAW. CHECKED: APPROVED: R.D.WATSON DATE: 16/07/02			Drg.No. 2112W50009	
Copyright © 1998			Reyrolle Ltd.	