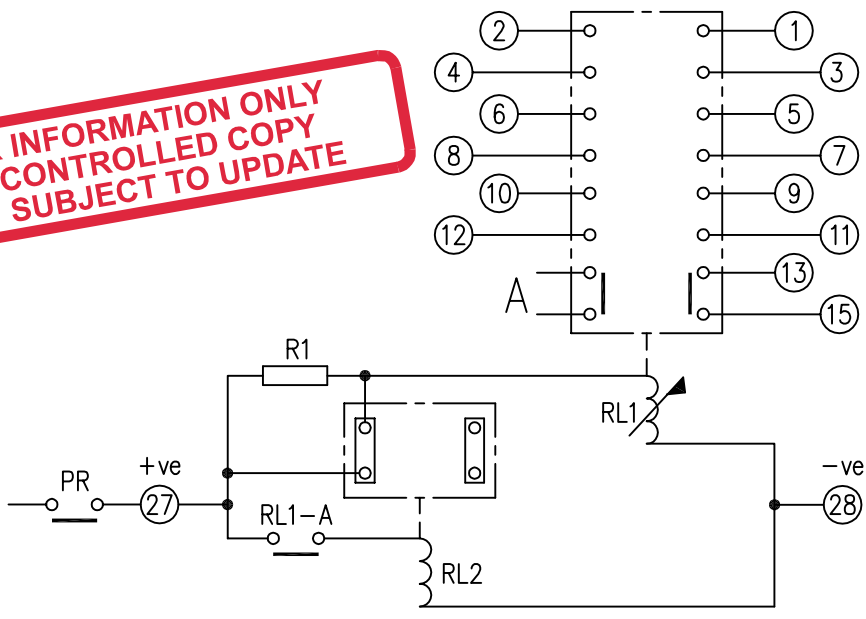


2112W50001

LOOKING ON FRONT OF RELAY

FOR INFORMATION ONLY
UNCONTROLLED COPY
NOT SUBJECT TO UPDATE



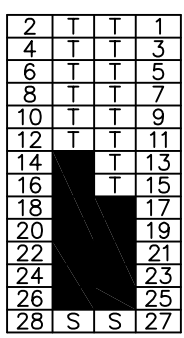
| | | | | | | |
|-----|---------------------------|--------------------------|---------------------------|--------------------------|--------------------------|--------------------------|
| R1 | 2X180R in para 2102C45181 | 2X68R in ser. 2102C45680 | 2X820R in para 2102C45821 | 2X1K0 in para 2102C45102 | 2X3K9 in para 2102C45392 | 2X3K9 in ser. 2102C45392 |
| Vdc | 24 | 30 | 48 | 60 | 125 | 240 |

| KEY | CONTACT CONFIG. | OUTPUT CONTACT PAIR/TERMINAL No. | | | | | | | |
|------------------------|-----------------|----------------------------------|-----|-----|-----|------|-------|-------|--|
| | | 1-3 | 2-4 | 5-7 | 6-8 | 9-11 | 10-12 | 13-15 | |
| make contact | 7M | M | M | M | M | M | M | M | |
| break contact | 6M 1B | M | B | M | M | M | M | M | |
| c/o contact | 5M 2B | B | B | M | M | M | M | M | |
| ext. conn | 4M 3B | B | B | M | B | M | M | M | |
| plug bridge - shorting | 3M 4B | B | B | B | B | M | M | M | |
| metering point | 2M 5B | B | B | B | B | M | B | M | |
| 5Kv barrier | 1M 6B | B | B | B | B | B | B | M | |
| test socket - shorting | | | | | | | | | |
| plug & socket | | | | | | | | | |

NOTE:
1. CONTACT CONFIGURATION ABOVE IS REQUIRED FOR RELAY OPERATION. FOR DETAILS OF VARIABLE CONTACT OPTIONS SEE TABLE OPPOSITE.

FRAME REFERENCE: E4FE02.
FRAME TERMINAL BLOCK ASSY: -

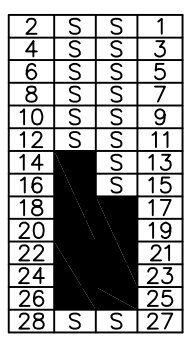
ASSEMBLY INSTRUCTIONS: -
TYPICAL ASSEMBLY DRAWING 2995G10032.
AT INDICATED POSITIONS FIT AS FOLLOWS:
T - FIT TRIP ISOLATION CONTACT 2995B10053
S - FIT STANDARD CONTACT 2995B10054
SECURE CONTACTS USING FIXING SCREW 2109F99009.
POSITIONS SHOWN BLANK ARE UNUSED



VIEW FROM NUMBERED SIDE OF BLOCK

OUTER TERMINAL BLOCK ASSY: -

ASSEMBLY INSTRUCTIONS: -
TYPICAL ASSEMBLY DRAWING 2995G10029.
AT INDICATED POSITIONS FIT AS FOLLOWS:
S - FIT STANDARD CONTACT 2995B10051
HC - FIT 'HEAVY CURRENT' KIT 2995G10030
WHERE IS SHOWN FIT CT SHORTING KIT 2995G10031
POSITIONS SHOWN BLANK ARE UNUSED.
ALL POSITIONS FIT SCREW 2106F12506.



VIEW FROM INSIDE FACE

| | | | | | |
|--|----------|----------------------|--------------------------------|--|--|
| Title: T.B. AND WIRING DIAG. FOR TR112-7 RELAYS IN EPSILON E4 CASE. | | | First used on: | | |
| | | | Similar Articles: | | |
| Reyrolle Protection Hebburn. | | | Supersedes: | | |
| | | | Drg.No. | | |
| 2 RDW | 11/11/05 | MN112/2744 | 2112W50001 | | |
| 1 | 13/04/99 | | | | |
| ISSUE | DATE | MOD.No. | Copyright © 1998 Reyrolle Ltd. | | |
| DRAWN: A.LAW. | CHECKED: | APPROVED: R.D.WATSON | | | |