

IF IN DOUBT ASK  
DO NOT SCALE

**EU EXPORT CONTROLS** ECCN: N AL: N  
This document is not Export Controlled unless sending to Critical Countries.

**FRAME TERMINAL BLOCK ASSY:-**

ASSEMBLY INSTRUCTIONS:-  
AT INDICATED POSITIONS FIT AS FOLLOWS:  
T - FIT TRIP ISOLATION CONTACT  
S - FIT STANDARD CONTACT  
SECURE CONTACTS USING FIXING SCREW  
POSITIONS SHOWN BLANK ARE UNUSED

2	T	T	1
4	T	T	3
6	T	T	5
8	T	T	7
10	T	T	9
12	T	T	11
14	T	T	13
16	T	T	15
18	T	T	17
20	T	T	19
22			21
24	S		23
26	S	S	25
28	S	S	27

VIEW FROM NUMBERED SIDE OF BLOCK  
(INSIDE THE CASE)

**OUTER TERMINAL BLOCK ASSY:-**

ASSEMBLY INSTRUCTIONS:-  
TYPICAL OUTER BLOCK ASSY DWG  
AT INDICATED POSITIONS FIT AS FOLLOWS:  
S - FIT STANDARD OUTER CONTACT  
POSITIONS SHOWN BLANK ARE UNUSED  
ALL POSITIONS FIT SCREW.

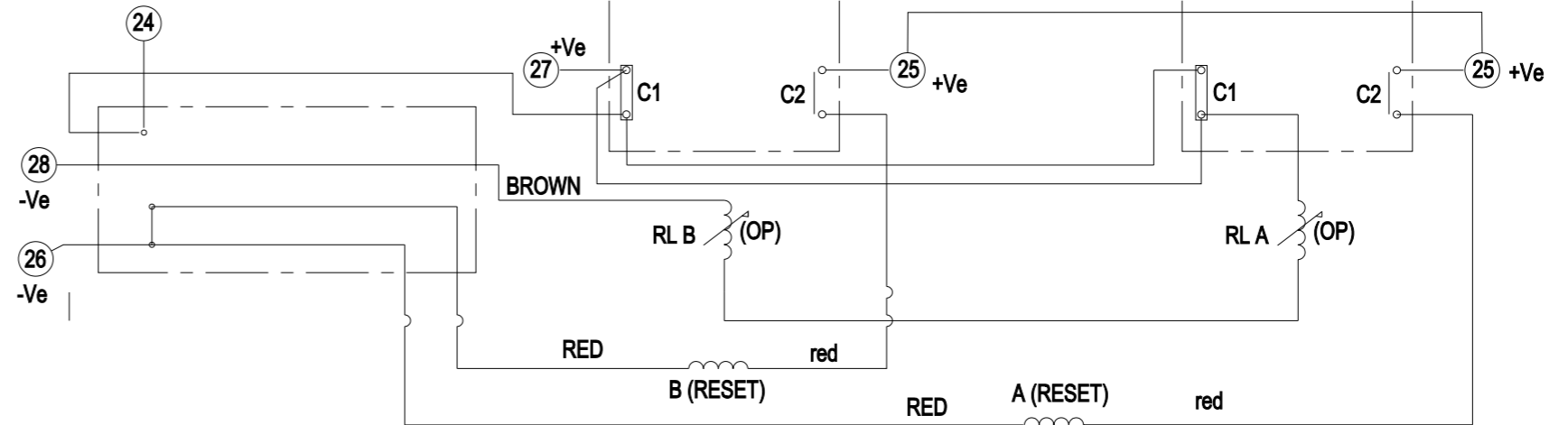
2	S	S	1
4	S	S	3
6	S	S	5
8	S	S	7
10	S	S	9
12	S	S	11
14	S	S	13
16	S	S	15
18	S	S	17
20	S	S	19
22	S	S	21
24	S	S	23
26	S	S	25
28	S	S	27

VIEW FROM NUMBERED SIDE OF BLOCK  
(REAR SIDE OF THE DEVICE)

**FOR INTERNAL USE ONLY**  
**UNCONTROLLED COPY**  
**NOT SUBJECT TO UPDATE**

COIL SUPERVISION TERMINAL : 24

DUMMY POSITIONS "A" Block : 21 To 28  
DUMMY POSITIONS "B" Block : 21,22,23

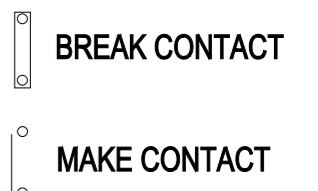


LOOKING ON FRONT OF RELAY

EARTHING CONNECTED THROUGH PANEL CHASIS

Trip Coil Supply	+Ve	27(BLOCK-B)									
	-Ve	28(BLOCK-B)									
Reset Coil Supply	+Ve	25(BLOCK-B)									
	-Ve	26(BLOCK-B)									
Coil Supervision		24 (BLOCK-B)									
CONTACT CONFIG.	"A" OUTPUT CONTACT PAIR/TERMINAL NO.										
	1-3	2-4	5-7	6-8	9-11	10-12	13-15	14-16	17-19	18-20	
18M	2B	M	B	M	M	M	M	M	M	M	M
16M	4B	B	B	M	M	M	M	M	M	M	M
CONTACT CONFIG.	"B" OUTPUT CONTACT PAIR/TERMINAL NO.										
	1-3	2-4	5-7	6-8	9-11	10-12	13-15	14-16	17-19	18-20	
18M	2B	M	B	M	M	M	M	M	M	M	M
16M	4B	B	B	M	M	M	M	M	M	M	M

RESISTOR DETAILS					Coil Details (RLA&RLB)	Reset Coil (A&B)
	R1	R2	R3	R4		
125VDC	NA	NA	NA	NA	106309850/ C53207A 383C812 1 Coil (2112G20016) 50 VDC	106045627/ C53207A 383C774 1 Solenoid 36VDC (Elec Reset Relays)



MATERIAL: MATERIAL.

Copyright © YEAR Siemens Protection Devices Ltd. Hebburn

Dimensions in millimetres : Surface texture in micrometres.  
Machine where marked ✓  
For explanation of dimensions, tolerances, notes etc. see B.S.308.  
Limit on untoleranced unmachined dimensions ± \_\_\_\_\_  
Limits on untoleranced machined dimensions to B.S.4500;  
i.e. up to 6±0.1; over 30 to 120±0.3; over 315±0.8;  
over 6 to 30±0.2; over 120 to 315±0.5;  
General unmachined angular tolerance ± \_\_\_\_\_

Finish: \_\_\_\_\_  
Treatment: \_\_\_\_\_

Title: WIRING DIAGRAM FOR 7PJ15241-20 CONTACT/125VDC  
(HAND/ELECT RESET TRIP RELAY)

**SIEMENS LTD.**

Original Scale:  
NTS

First used on: \_\_\_\_\_  
Similar Articles: \_\_\_\_\_  
Supersedes: \_\_\_\_\_  
Drg. No. **2112W60004**

1	21/10/2019	CHANGE
ISSUE	DATE	NOTED