

IF IN DOUBT ASK
DO NOT SCALE

FRAME TERMINAL BLOCK ASSY:-

ASSEMBLY INSTRUCTIONS:-
AT INDICATED POSITIONS FIT AS FOLLOWS:
T - FIT TRIP ISOLATION CONTACT
S - FIT STANDARD CONTACT
SECURE CONTACTS USING FIXING SCREW
POSITIONS SHOWN BLANK ARE UNUSED

| | | | |
|----|---|---|----|
| 2 | T | T | 1 |
| 4 | T | T | 3 |
| 6 | T | T | 5 |
| 8 | T | T | 7 |
| 10 | T | T | 9 |
| 12 | T | T | 11 |
| 14 | T | T | 13 |
| 16 | T | T | 15 |
| 18 | T | T | 17 |
| 20 | T | T | 19 |
| 22 | | | 21 |
| 24 | S | | 23 |
| 26 | T | T | 25 |
| 28 | S | S | 27 |

VIEW FROM NUMBERED SIDE OF BLOCK
(INSIDE THE CASE)

OUTER TERMINAL BLOCK ASSY:-

ASSEMBLY INSTRUCTIONS:-
TYPICAL OUTER BLOCK ASSY DWG
AT INDICATED POSITIONS FIT AS FOLLOWS:
S - FIT STANDARD OUTER CONTACT
POSITIONS SHOWN BLANK ARE UNUSED
ALL POSITIONS FIT SCREW .

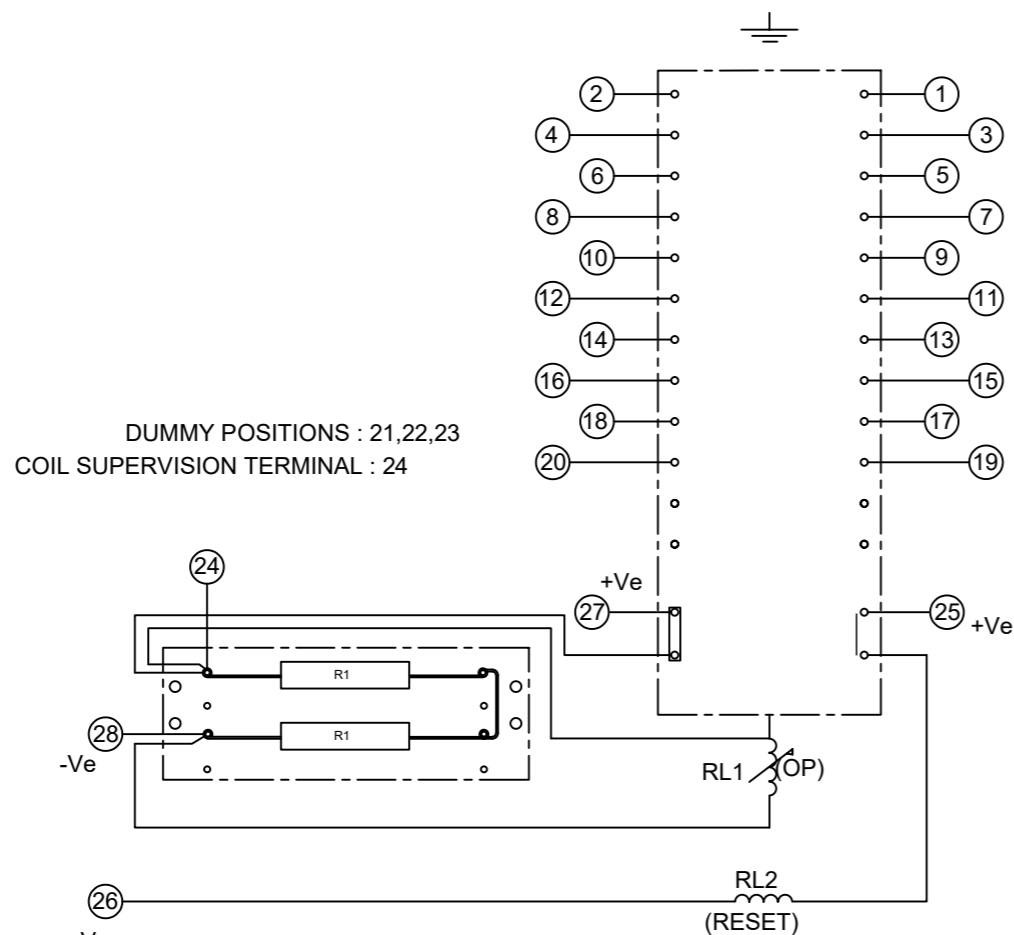
| | | | |
|----|---|---|----|
| 2 | S | S | 1 |
| 4 | S | S | 3 |
| 6 | S | S | 5 |
| 8 | S | S | 7 |
| 10 | S | S | 9 |
| 12 | S | S | 11 |
| 14 | S | S | 13 |
| 16 | S | S | 15 |
| 18 | S | S | 17 |
| 20 | S | S | 19 |
| 22 | | | 21 |
| 24 | S | | 23 |
| 26 | S | S | 25 |
| 28 | S | S | 27 |

VIEW FROM NUMBERED SIDE OF BLOCK
(REAR SIDE OF THE DEVICE)

MATERIAL: MATERIAL.

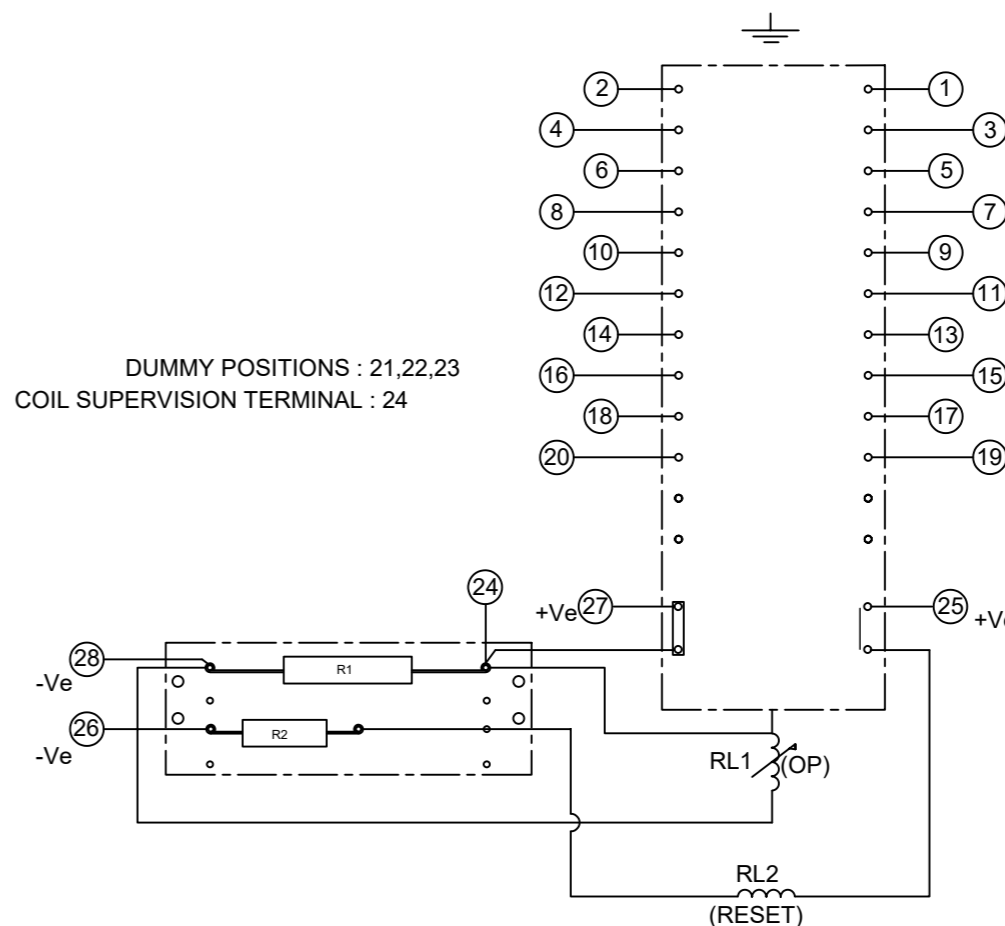
Dimensions in millimetres : Surface texture in micrometres.
Machine where marked ✓
For explanation of dimensions, tolerances, notes etc. see B.S.308.
Limit on untoleranced unmachined dimensions ± _____
Limits on untoleranced machined dimensions to B.S.4500;
i.e. up to 6±0.1; over 30 to 120±0.3; over 315±0.8;
over 6 to 30±0.2; over 120 to 315±0.5;
General unmachined angular tolerance ± _____

Earthing Connected through panel chassis



DC 125V VARIANT

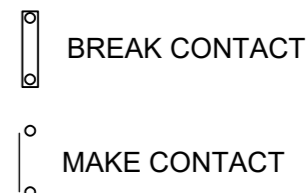
Earthing Connected through panel chassis



DC 240V VARIANT

DUMMY POSITIONS : 21,22,23
COIL SUPERVISION TERMINAL : 24

DUMMY POSITIONS : 21,22,23
COIL SUPERVISION TERMINAL : 24



| | | | | | | | | | | | |
|---|-----|-----|-----|-----|-----|------|-------|-------|-------|-------|-------|
| Trip Coil Supply | +Ve | 27 | | | | | | | | | |
| | -Ve | 28 | | | | | | | | | |
| Reset Coil Supply | +Ve | 25 | | | | | | | | | |
| | -Ve | 26 | | | | | | | | | |
| Coil Supervision | | 24 | | | | | | | | | |
| CONTACT CONFIG. OUTPUT CONTACT PAIR/TERMINAL NO. | | | | | | | | | | | |
| | | 1-3 | 2-4 | 5-7 | 6-8 | 9-11 | 10-12 | 13-15 | 14-16 | 17-19 | 21-23 |
| 8M | 2B | B | B | M | M | M | M | M | M | M | M |
| 6M | 4B | B | B | B | B | M | M | M | M | M | M |
| 4M | 2B | B | B | M | M | M | M | - | - | - | - |
| 5M | 1B | B | - | M | M | M | M | M | - | - | - |
| 6M | 0B | - | - | M | M | M | M | M | M | - | - |

| | RESISTOR DETAILS | | Coil Details (RL1) | Reset Coil(RL2) |
|--------|--------------------|------------------|---|--|
| | R1 | R2 | | |
| 125VDC | 2nos 100R ±1%, 14W | | 106285707/C53207A 383C747 1 Coil (2112G20020) 125VDC | 106045627/ C53207A 383C774 1 Solenoid 36VDC (Elec Reset Relays) |
| 240VDC | 1no 470R ±1%, 14W | 1no 470R ±5%, 3W | 106181961/C53207A 383C790 1 Coil (2112G20023) 240VDC | |

| | | |
|-------|------------|--------|
| | | |
| 1 | 16/10/2019 | CHANGE |
| ISSUE | DATE | NOTED |

Copyright © YEAR Siemens Protection Devices Ltd. Hebburn

| | | | | | | | | | | | | |
|--|---------|--------------|--|-------------------------------|-----|-----|----------------|-----|------|----|-----|----|
| Dimensions in millimetres : Surface texture in micrometres. Machine where marked ✓ For explanation of dimensions, tolerances, notes etc. see B.S.308. Limit on untoleranced unmachined dimensions ± _____ Limits on untoleranced machined dimensions to B.S.4500; i.e. up to 6±0.1; over 30 to 120±0.3; over 315±0.8; over 6 to 30±0.2; over 120 to 315±0.5; General unmachined angular tolerance ± _____ | | Finish: | Title: WIRING DIAGRAM FOR 7PJ15241 (HAND/ELECT RESET TRIP RELAY) | First used on: | | | | | | | | |
| | | Treatment: | | Similar Articles: | | | | | | | | |
| | | | | Supersedes: | | | | | | | | |
| | | | SIEMENS LTD. | Original Scale: NTS | | | | | | | | |
| | | | | Drg. No. 2112W60001 | | | | | | | | |
| DRAWN : VC | CHECKED | APPROVED: NC | DATE 16/10/2019 | IE | OPS | PCP | Purch.Spec. TQ | EAC | EAC. | CE | STD | A3 |