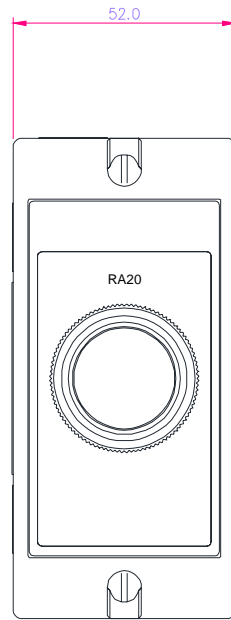
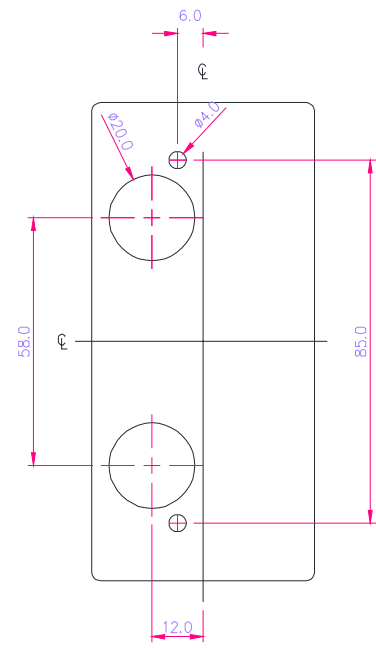


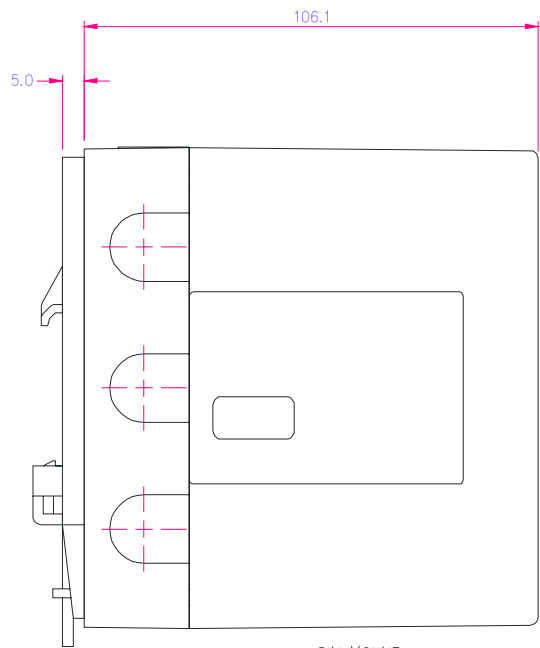
PANEL MOUNT



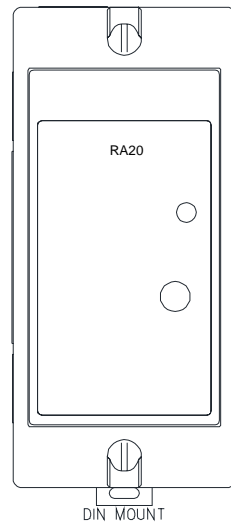
PANEL MOUNT



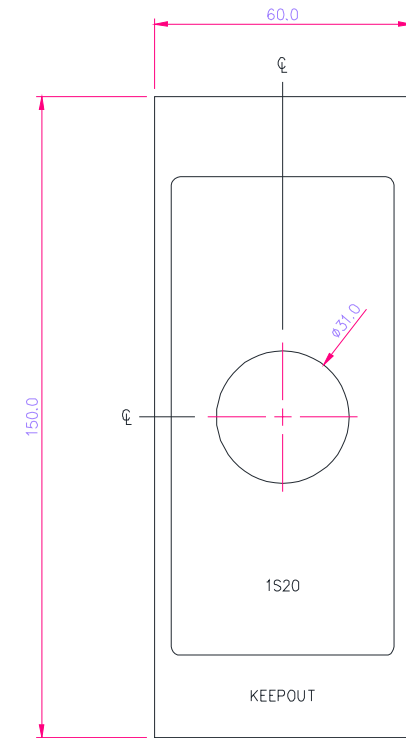
SURFACE MOUNT
FRONT VIEW



DIN MOUNT



DIN MOUNT



PANEL MOUNT