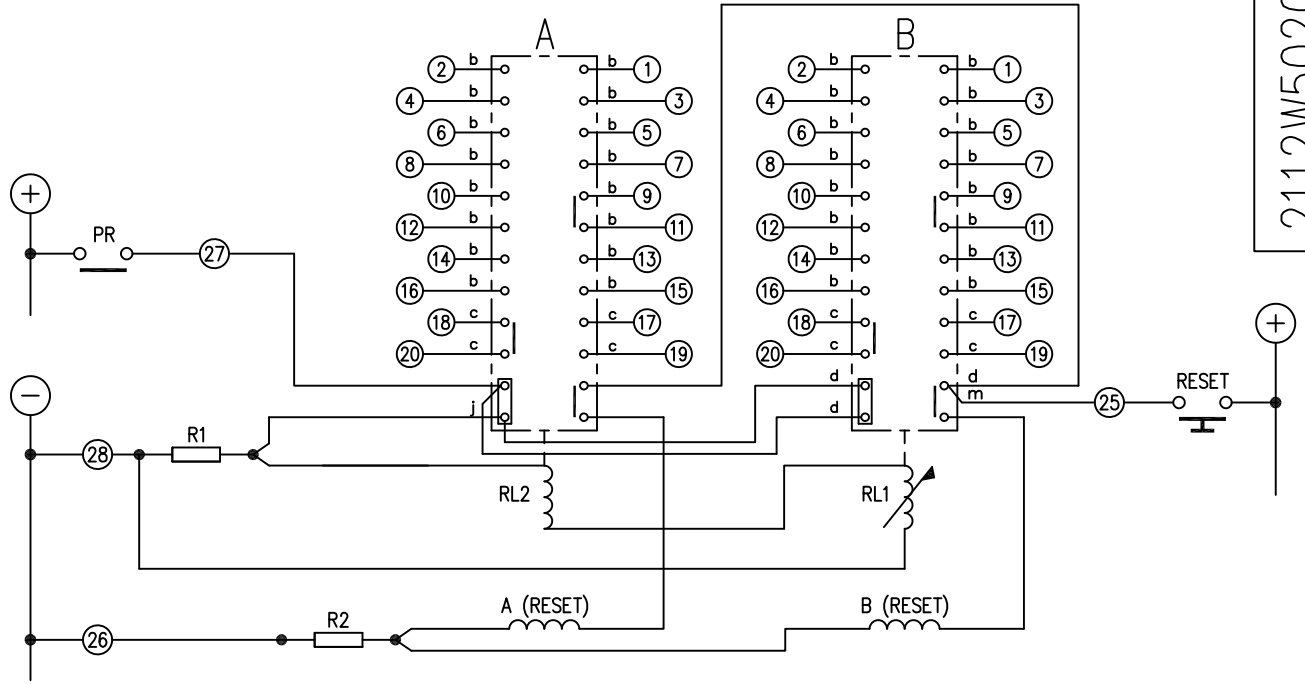


LOOKING ON FRONT OF RELAY

2112W50203



CONTACT CONFIG.	A OUTPUT CONTACT PAIR/TERMINAL No.										INTERNAL		B OUTPUT CONTACT PAIR/TERMINAL No.										INTERNAL	
	1-3	2-4	5-7	6-8	9-11	10-12	13-15	14-16	17-19	18-20	21-23	22-24	1-3	2-4	5-7	6-8	9-11	10-12	13-15	14-16	17-19	18-20	21-23	22-24
20M	M	M	M	M	M	M	M	M	M	M	SB	M	M	M	M	M	M	M	M	M	M	M	M	SB
19M 1B	M	M	M	M	M	M	M	M	M	M	SB	B	M	M	M	M	M	M	M	M	M	M	M	SB
18M 2B	B	M	M	M	M	M	M	M	M	M	SB	B	M	M	M	M	M	M	M	M	M	M	M	SB
17M 3B	B	M	M	M	M	M	M	M	M	M	SB	B	B	M	M	M	M	M	M	M	M	M	M	SB
16M 4B	B	B	M	M	M	M	M	M	M	M	SB	B	B	M	M	M	M	M	M	M	M	M	M	SB
15M 5B	B	B	M	M	M	M	M	M	M	M	SB	B	B	B	M	M	M	M	M	M	M	M	M	SB
14M 6B	B	B	B	M	M	M	M	M	M	M	SB	B	B	B	M	M	M	M	M	M	M	M	M	SB
13M 7B	B	B	B	M	M	M	M	M	M	M	SB	B	B	B	B	M	M	M	M	M	M	M	M	SB
12M 8B	B	B	B	B	M	M	M	M	M	M	SB	B	B	B	B	M	M	M	M	M	M	M	M	SB
11M 9B	B	B	B	B	M	M	M	M	M	M	SB	B	B	B	B	M	B	M	M	M	M	M	M	SB
10M 10B	B	B	B	B	M	B	M	M	M	M	SB	B	B	B	B	M	B	M	M	M	M	M	M	SB
9M 11B	B	B	B	B	M	B	M	M	M	M	SB	B	B	B	B	M	B	B	M	M	M	M	M	SB
8M 12B	B	B	B	B	M	B	B	M	M	M	SB	B	B	B	B	M	B	B	M	M	M	M	M	SB
7M 13B	B	B	B	B	M	B	B	M	M	M	SB	B	B	B	B	M	B	B	B	M	M	M	M	SB
6M 14B	B	B	B	B	M	B	B	B	M	M	SB	B	B	B	B	M	B	B	B	M	M	M	M	SB
5M 15B	B	B	B	B	M	B	B	B	M	M	SB	B	B	B	B	M	B	B	B	B	M	M	M	SB
4M 16B	B	B	B	B	M	B	B	B	B	M	SB	B	B	B	B	M	B	B	B	B	M	M	M	SB

OUTER TERMINAL BLOCK ASSY:-  
 T - FIT TRIP ISOLATION CONTACT 2995B10053  
 S - FIT STANDARD CONTACT 2995B10054

A				B			
2	T	T	1	2	T	T	1
4	T	T	3	4	T	T	3
6	T	T	5	6	T	T	5
8	T	T	7	8	T	T	7
10	T	T	9	10	T	T	9
12	T	T	11	12	T	T	11
14	T	T	13	14	T	T	13
16	T	T	15	16	T	T	15
18	T	T	17	18	T	T	17
20	T	T	19	20	T	T	19
22			21	22			21
24			23	24			23
26			25	26	S	S	25
28			27	28	S	S	27

VIEW FROM INSIDE CASE

KEY

- ○ make (M) contact
- □ break (B) contact
- ② ext. conn

NOTE

CONTACT PAIRS B-(9,11), B-(18,20), A-(09,11) & A-(18,20) ARE ALWAYS MAKE CONTACTS

Title: TERMINAL BLOCK & W.D. FOR TR231/TR241 50, 220 & 240V 20C. RELAY IN E4 CASE			First used on:		
ISSUE DATE MOD.No.			Similar Articles:		
1 04/06/13			Supersedes:		
SIEMENS PROTECTION DEVICES LTD.			Original Scale:		
DRAWN: J. BURNETT CHECKED: RD.WATSON APPROVED: RD.WATSON DATE: 16/07/2013 IE:			Drg.No. <b>2112W50203</b>		
OPS:					