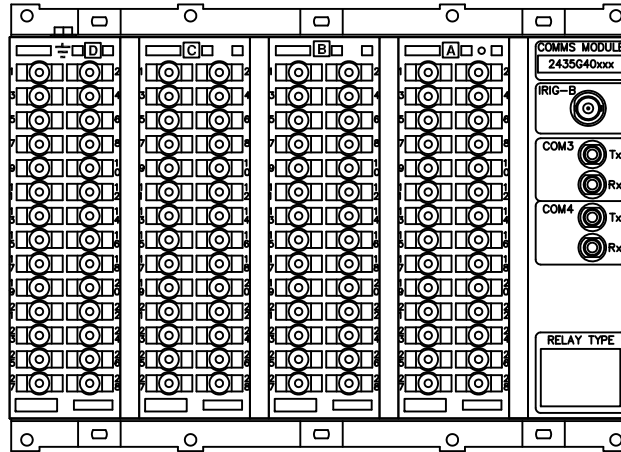


IF IN DOUBT ASK  
DO NOT SCALE

| ABBREVIATIONS |  |
|---------------|--|
| I             | CURRENT INPUTS                         |
| V             | VOLTAGE INPUTS                         |
| BI            | BINARY INPUTS                          |
| BO            | BINARY OUTPUTS                         |
| CO            | CHANGE OVER BINARY OUTPUT CONTACTS     |
| NO            | NORMALLY OPEN BINARY OUTPUT CONTACTS   |
| NC            | NORMALLY CLOSED BINARY OUTPUT CONTACTS |

| COMMUNICATIONS IDENTIFICATION |  |
|-------------------------------|--|
| COM1                          | RS485 (ON BLOCK 'B' TERMINALS 14,16,18 & 20) |
| COM2                          | USB TYPE 'B' PORT (ON RELAY FRONT LABEL)     |
| COM3                          | FIBRE OPTIC (ON REAR COMMS MODULE)           |
| COM4                          | FIBRE OPTIC (ON REAR COMMS MODULE)           |



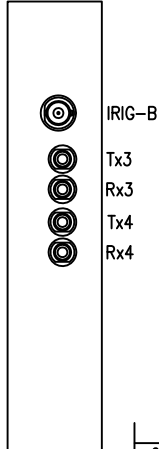
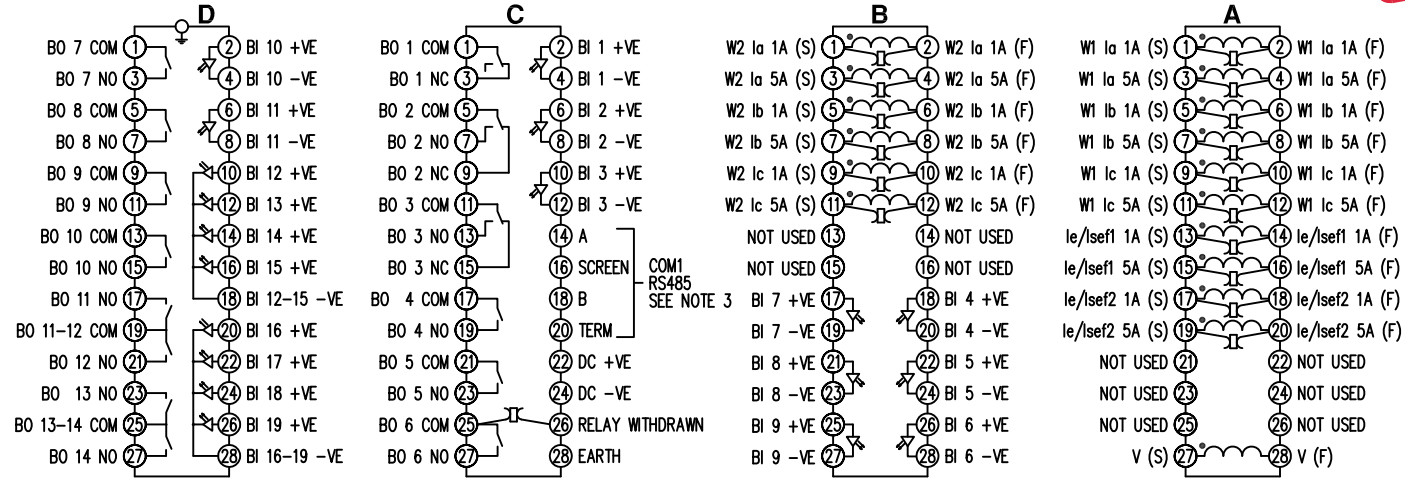
RELAY VIEWED FROM REAR

- NOTES**
- TERMINALS RECOMMENDED ARE PRE-INSULATED & MUST BE CRIMPED USING APPROVED TOOLING. AMP PIDG OR PLASTI GRIP FUNNEL ENTRY (RING TONGUE) FOR M4 FIXING STUD.  

| SUPPLIER | PART NUMBER | CABLE SIZE              |
|----------|-------------|-------------------------|
| AMP      | 342103      | 0.25-1.6mm <sup>2</sup> |
| AMP      | 342143      | 1.0-2.6mm <sup>2</sup>  |

 OR ANY OTHER MANUFACTURERS EQUIVALENT TERMINAL.
  - FOR OUTLINE & PANEL DRILLING, SEE 2995X10010 (A4).
  - CONNECTIONS TO THIS COMMUNICATIONS FACILITY IS BY SCREENED, TWISTED PAIR CABLE, ON SITE. WHEN WIRING OTHER FACILITIES ENSURE THAT THESE TERMINALS ARE NOT OBSCURED BY OTHER WIRE RUNS.
  - CONTACTS SHOWN THUS ARE INTERNAL RELAY CASE ASSEMBLY AND CLOSE WHEN THE RELAY CHASSIS IS WITHDRAWN FROM THE CASE.

FOR INFORMATION ONLY  
 UNCONTROLLED COPY  
 NOT SUBJECT TO UPDATE



**MATERIAL:**

Dimensions in millimetres : Surface texture in micrometres.  
 Machine where marked ✓  
 For explanation of dimensions, tolerances, notes etc. see B.S.308.  
 Limit on untoleranced unmachined dimensions ±  
 Limits on untoleranced machined dimensions to B.S.4500;  
 i.e. up to 6±0.1; over 30 to 120±0.3; over 315±0.8;  
 over 6 to 30±0.2; over 120 to 315±0.5;  
 General unmachined angular tolerance ±

Finish:  
Treatment:

Title:  
**TERMINAL ID & WIRING DIAGRAM FOR RM PLATFORM  
 (8I,1V,19BI,2CO,11NO,1NC,RS485,2FO+IRIG-B) E10 CASE**

**SIEMENS PROTECTION DEVICES LTD.**  
 Original Scale: NTS

First used on:  
 Similar Articles:  
 Supersedes:  
 Drg. No. **2435W40012**

|       |          |                |
|-------|----------|----------------|
| 2 RDW | 18/07/07 | MN435/2886 RDW |
| 1     | 14/02/07 | CHANGE         |
| ISSUE | DATE     | NOTED          |