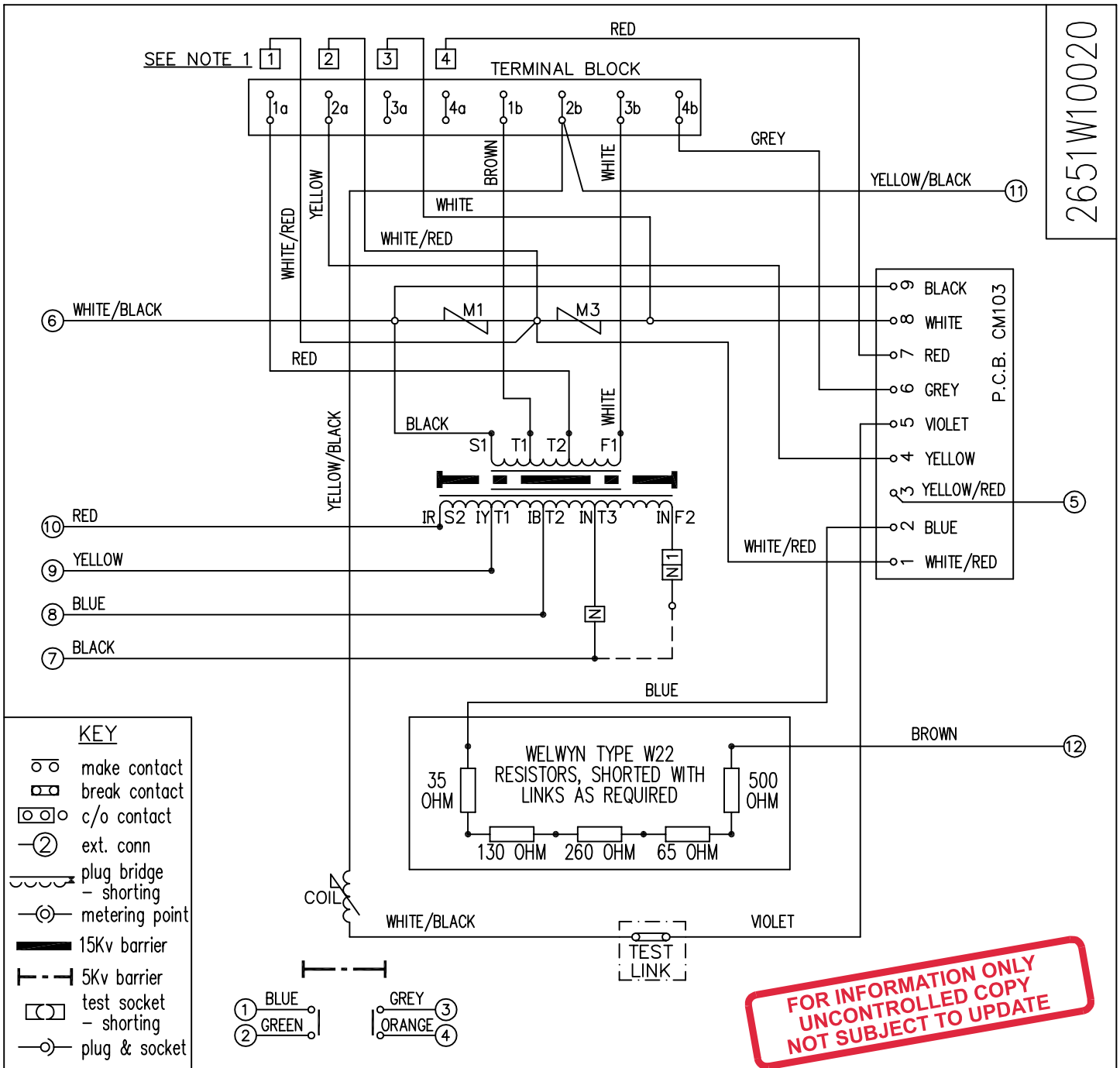


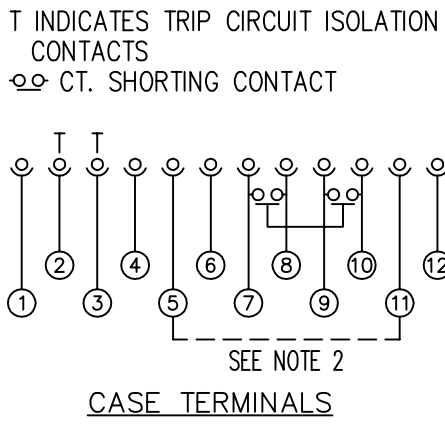
2651W10020



KEY

- make contact
- break contact
- c/o contact
- ext. conn
- plug bridge - shorting
- metering point
- 15Kv barrier
- 5Kv barrier
- test socket - shorting
- plug & socket

FOR INFORMATION ONLY
UNCONTROLLED COPY
NOT SUBJECT TO UPDATE



NOTE:

- LEADS [1] TO [4] INCLUSIVE TO BE CONNECTED TO TERMINALS 1a TO 4a FOR SOLKOR 'R' OPERATION OR 1b TO 4b FOR SOLKOR 'Rf' OPERATION.
- CASE TERMINALS 5 AND 11 TO BE LINKED ONLY WHEN RELAY IS IN SOLKOR 'R' MODE.
- FOR SCHEMATIC DIAGRAM OF SOLKOR 'R' SEE 2651W10133. FOR SCHEMATIC DIAGRAM OF SOLKOR 'Rf' SEE 2651W10010.

Copyright © 2003 VATECH REYROLLE ACP Ltd. Hebburn

Title: WIRING DIAG. FOR SOLKOR R/Rf RELAY - 2M CONTACT IN 1P VEDETTE CASE.			First used on: Similar Articles: Supersedes: Drg.No.		
3 RDW MN651/2749	22/11/05	TERML PAIRS 1/2 & 3/4 WERE 1/3, 2/4	VATECH REYROLLE AUTOMATION, CONTROL & PROTECTION		
2	7/7/03	REDRAWN ON CAD WITHOUT MODS. MN651/2557			
ISSUE	DATE	MOD.No.	2651W10020		Original Scale.
DRAWN: RDW	CHECKED: RDW	APPROVED: R.D.WATSON	DATE: 7/7/03	IE:	OPS: