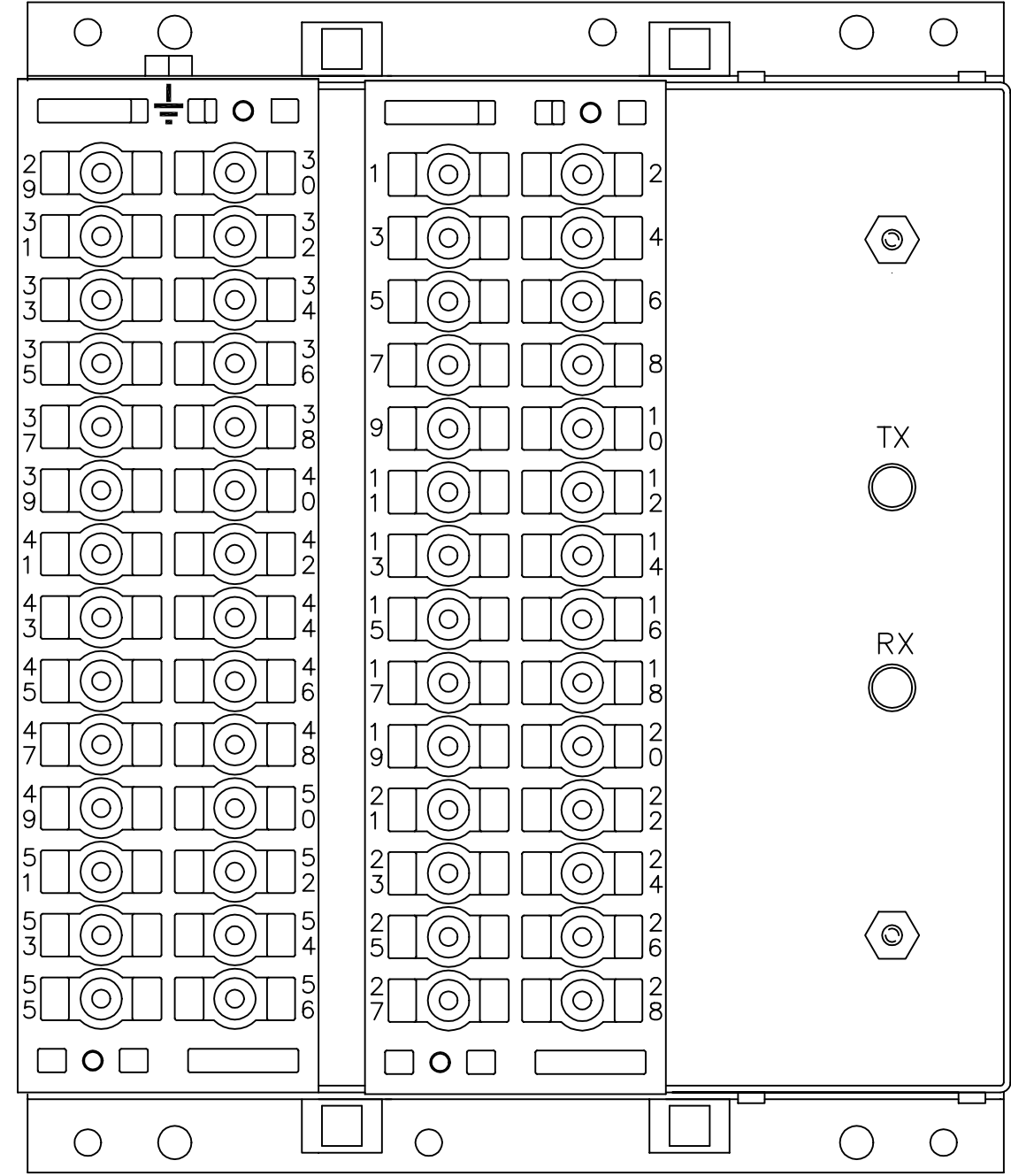
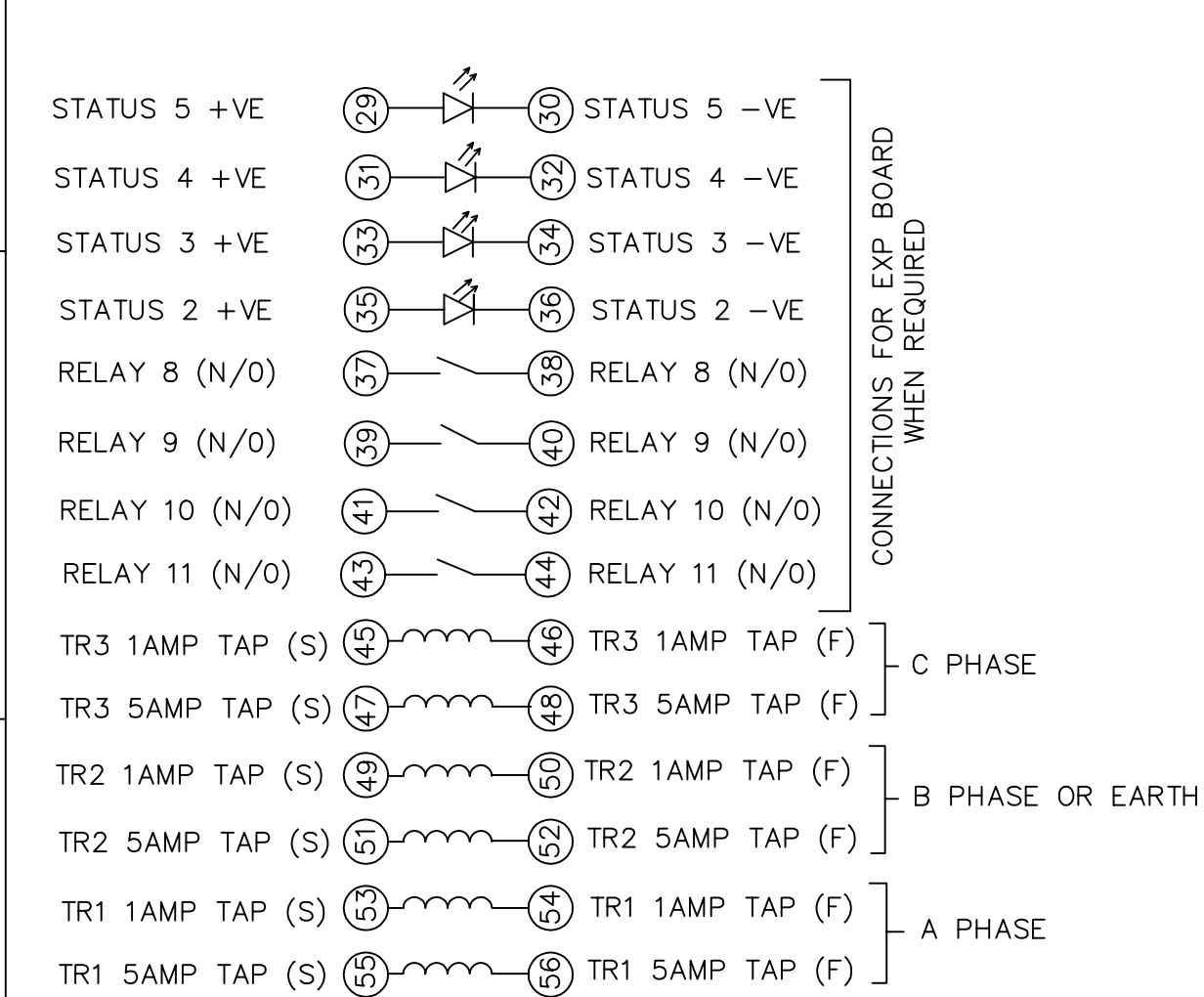
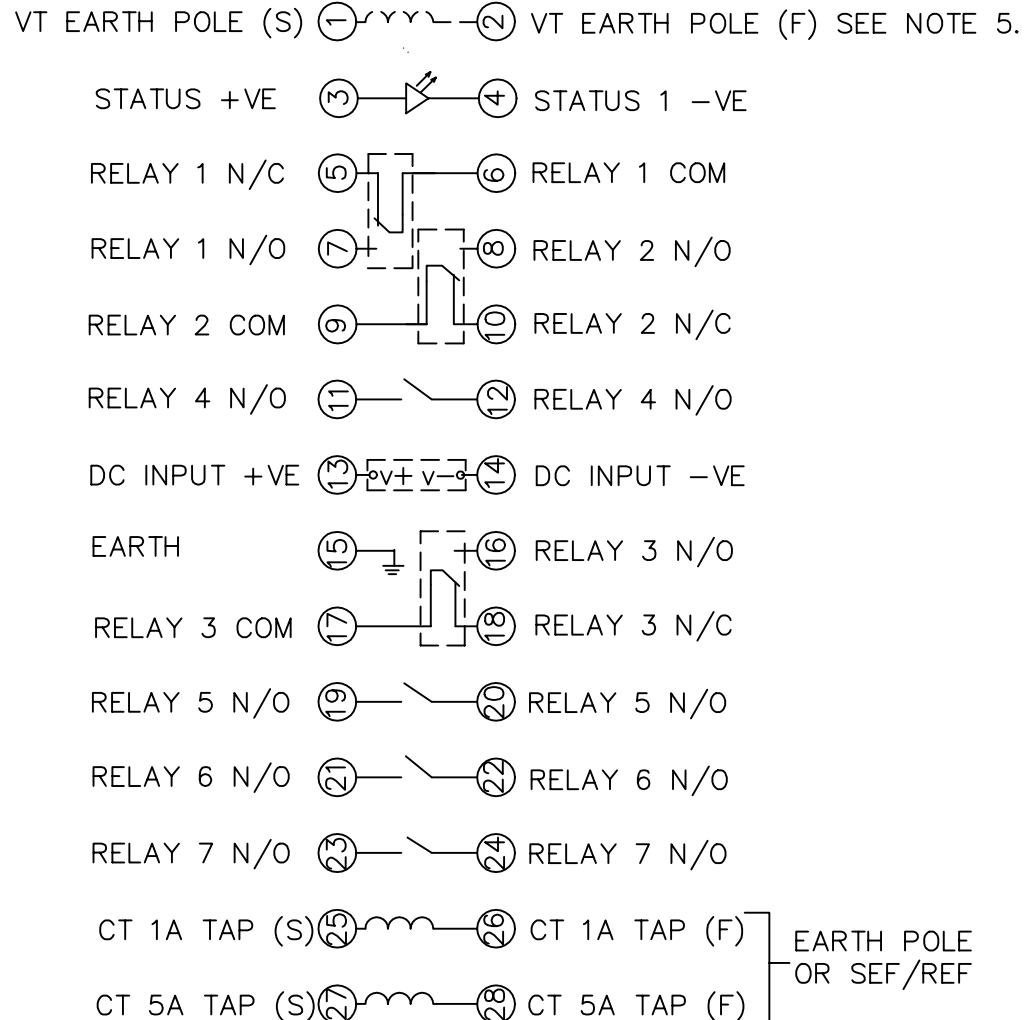


IF IN DOUBT ASK  
DO NOT SCALE



BOX VIEWED FROM REAR



OUTER TERMINAL BLOCK ASSY:-  
VIEW BLOCK FROM THE INSIDE FACE

ASSEMBLY INSTRUCTIONS:-

TYPICAL ASSEMBLY DRAWING 2995G10029  
AT INDICATED POSITIONS FIT AS FOLLOWS,  
S - FIT STANDARD CONTACT  
2995B10051  
HC - FIT 'HEAVY CURRENT' KIT  
2995G10030  
WHERE -o-o- IS SHOWN FIT  
CT SHORTING KIT 2995G10031  
POSITIONS SHOWN BLANK ARE UNUSED  
ALL POSITIONS FIT SCREW 2106F12506

2	S	S	1
4	S	S	3
6	-o-o-	5	
8	S	S	7
10	-o-o-	9	
12	S	S	11
14	S	S	13
16	S	S	15
18	-o-o-	17	
20	S	S	19
22	S	S	21
24	S	S	23
26	-o-o-	25	
28	-o-o-	27	

CHASSIS TERMINAL BLOCK ASSY:-  
VIEW FROM NUMBERED SIDE OF BLOCK

ASSEMBLY INSTRUCTIONS:-

TYPICAL ASSEMBLY DRAWING 2995G10032  
AT INDICATED POSITIONS FIT AS FOLLOWS,  
T - FIT TRIP ISOLATION CONTACT  
2995B10053  
S - FIT STANDARD CONTACT  
2995B10054  
POSITIONS SHOWN BLANK ARE UNUSED

2	S	S	1
4	T	T	3
6	S	S	5
8	T	T	7
10	T	T	9
12	T	T	11
14	S	S	13
16	T	T	15
18	S	S	17
20	T	T	19
22	T	T	21
24	T	T	23
26	S	S	25
28	S	S	27

OUTER TERMINAL BLOCK ASSY:-  
VIEW BLOCK FROM THE INSIDE FACE

ASSEMBLY INSTRUCTIONS:-

TYPICAL ASSEMBLY DRAWING 2995G10029  
AT INDICATED POSITIONS FIT AS FOLLOWS,  
S - FIT STANDARD CONTACT  
2995B10051  
HC - FIT 'HEAVY CURRENT' KIT  
2995G10030  
WHERE -o-o- IS SHOWN FIT  
CT SHORTING KIT 2995G10031  
POSITIONS SHOWN BLANK ARE UNUSED  
ALL POSITIONS FIT SCREW 2106F12506

30	S	S	29
32	S	S	31
34	S	S	33
36	S	S	35
38	S	S	37
40	S	S	39
42	S	S	41
44	S	S	43
46	-o-o-	45	
48	-o-o-	47	
50	-o-o-	49	
52	-o-o-	51	
54	-o-o-	53	
56	-o-o-	55	

CHASSIS TERMINAL BLOCK ASSY:-  
VIEW FROM NUMBERED SIDE OF BLOCK

ASSEMBLY INSTRUCTIONS:-

TYPICAL ASSEMBLY DRAWING 2995G10032  
AT INDICATED POSITIONS FIT AS FOLLOWS,  
T - FIT TRIP ISOLATION CONTACT  
2995B10053  
S - FIT STANDARD CONTACT  
2995B10054  
POSITIONS SHOWN BLANK ARE UNUSED

2	T	T	1
4	T	T	3
6	T	T	5
8	T	T	7
10	T	T	9
12	T	T	11
14	T	T	13
16	T	T	15
18	S	S	17
20	S	S	19
22	S	S	21
24	S	S	23
26	S	S	25
28	S	S	27

- NOTES:  
1) TERMINALS RECOMMENDED ARE PRE INSULATED & MUST BE CRIMPED USING APPROVED TOOLING. AMP PIDG OR PLASTI GRIP FUNNEL ENTRY (RING TONGUE) FOR M4 FIXING STUD.  
SUPPLIER      AMP      CABLE SIZE  
AMP            342103      0.25-1.6 SQ MM  
AMP            342143      1.0-2.6 SQ MM.  
OR ANY OTHER MANUFACTURERS EQUIVALENT TERMINAL.

- 2) FOR OUTLINE & DRILLING DRG SEE 2995X10006 (A4).  
3) RELAYS WITH DIRECTIONAL E/F POLE BUT NON DIRECTIONAL P/F ARE HOUSED IN E6 CASE. (SEE TERMINALS 1&2).  
4) FOR TYPICAL CHASSIS ASSEMBLY SEE 2434H50005.  
FOR TYPICAL CASE ASSEMBLY - ST COMMS. - SEE 2434H50008 (STANDARD RELAY)  
FOR TYPICAL CASE ASSEMBLY - SMA COMMS. - SEE 2434H50002 (NOW NON-STANDARD)

PROTECTION TYPE	SCHEMATIC DIAGRAM VERSION A & B	SCHEMATIC DIAGRAM VERSION C
3 PHASE +EARTH	2434W10057 (A3)	2434W10058 (A3)
3 PHASE+SEF	2434W10059 (A3)	2434W10060 (A3)
2 PHASE+EARTH	2434W10051 (A3)	2434W10052 (A3)
3 PHASE	2434W10053 (A3)	2434W10054 (A3)
2 PHASE+SEF	2434W10055 (A3)	2434W10056 (A3)
2 PHASE+EARTH+SEF	2434W10061 (A3)	2434W10062 (A3)
2 PHASE+EARTH(DIR)	2434W10069 (A3)	2434W10070 (A3)
3 PHASE+EARTH(DIR)	2434W10075 (A3)	2434W10076 (A3)

NOT SUBJECT TO UPDATE  
ONCE COPIED / PRINTED  
OR DOWNLOADED

MATERIAL:

Dimensions in millimetres ; Surface texture in micrometres.  
Machine where marked ✓  
For explanation of dimensions, tolerances, notes etc. see B.S.308.  
Limit on untoleranced unmachined dimensions ± \_\_\_\_\_  
Limits on untoleranced machined dimensions to B.S.4500;  
i.e. up to 6±0.1; over 30 to 120±0.3; over 315±0.8;  
over 6 to 30±0.2; over 120 to 315±0.5;  
General unmachined angular tolerance ± \_\_\_\_\_

Finish: \_\_\_\_\_  
Treatment: \_\_\_\_\_

Title: TERMINAL IDENTIFICATION & RELAY WIRING DIAGRAM  
4 POLE DCD RELAY (E6 CASE)  
**Reyrolle Protection Hebburn.**  
Original Scale: 1:1

First used on: \_\_\_\_\_  
Similar Articles: \_\_\_\_\_  
Supersedes: \_\_\_\_\_  
Drg. No. **2434W50001**

4	RDW	09/06/03	MN434/2535
3		18/4/01	MN434/2292
2		22/11/99	MN434/150
1		20/7/99	CHANGE
			NOTED

Copyright © 1999 Reyrolle Ltd.