

IF IN DOUBT ASK  
DO NOT SCALE

A

B

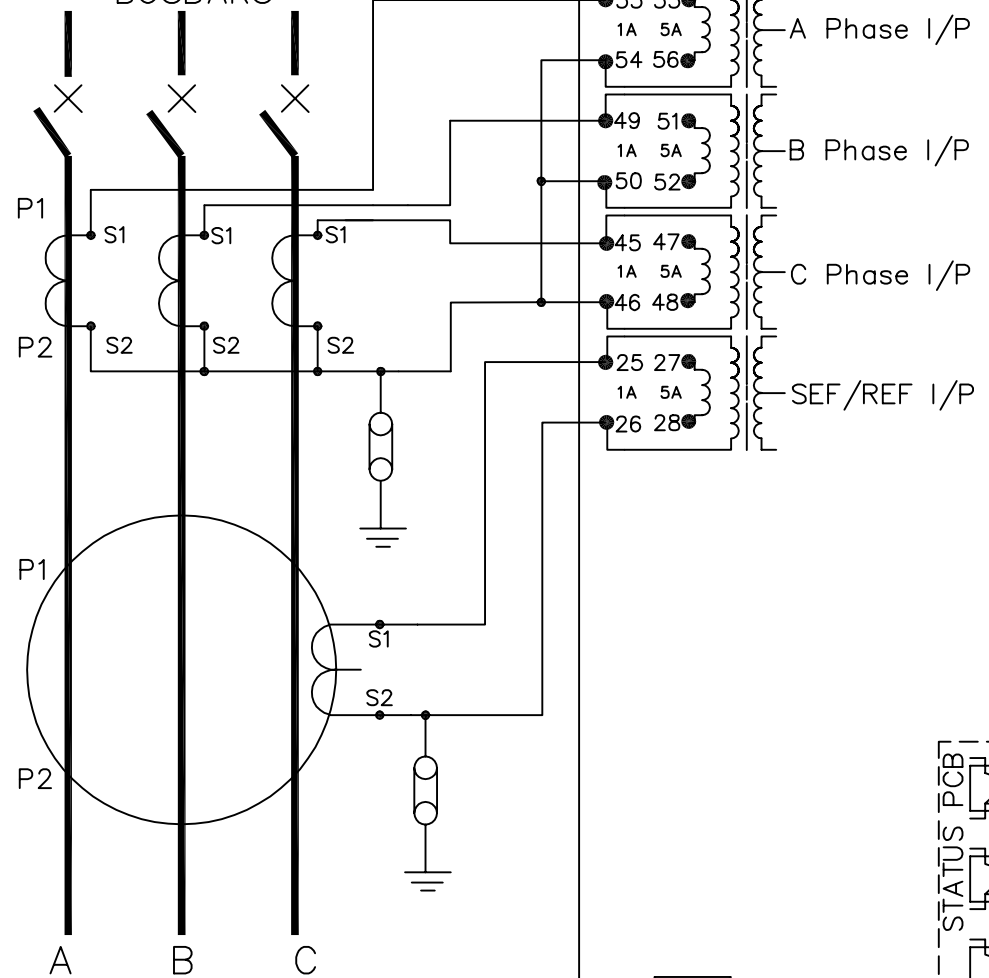
C

D

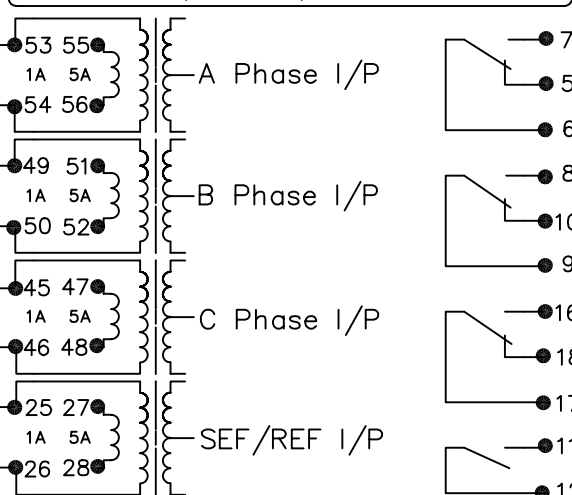
E

F

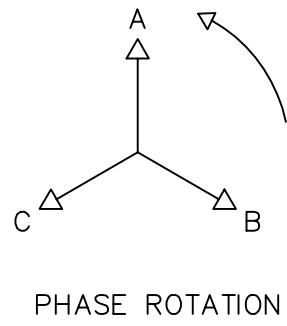
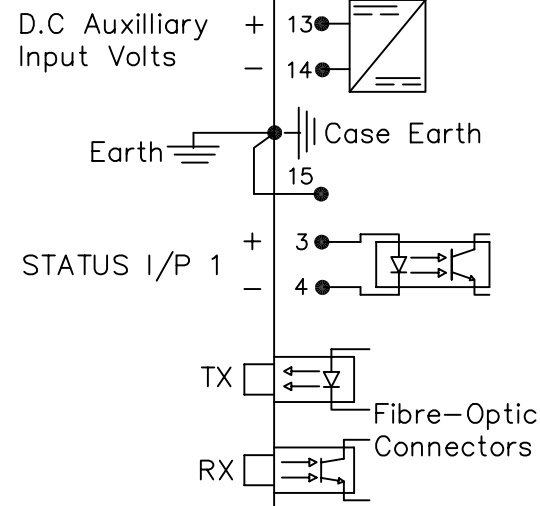
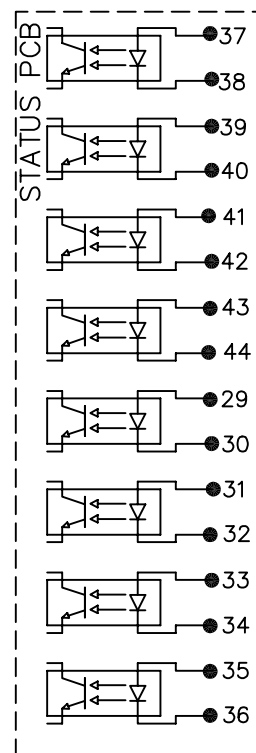
BUSBARS



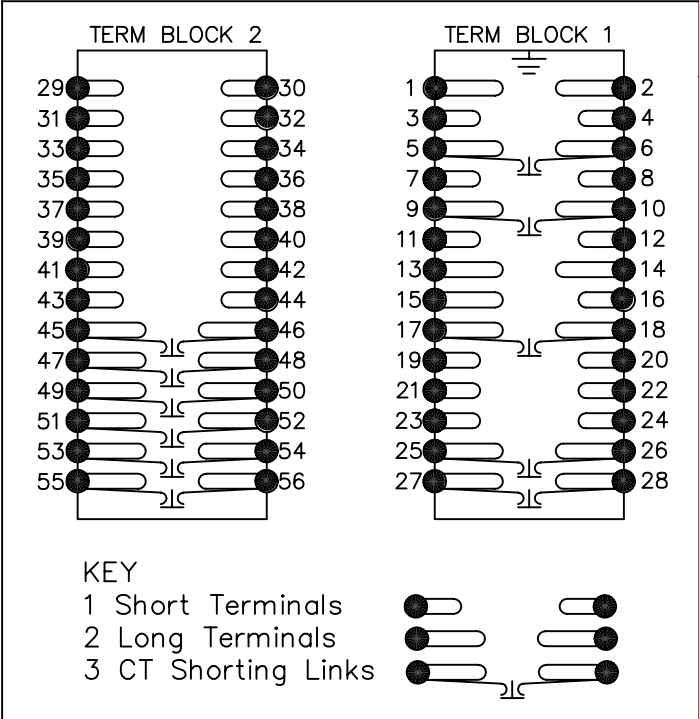
GAF42xC (ARGUS 3&4) MODULAR SIZE 6 CASE



- 7 RELAY 1
- 5
- 6
- 8 RELAY 2
- 10
- 9
- 16 RELAY 3
- 18
- 17
- 11 RELAY 4
- 12
- 19 RELAY 5
- 20
- 21 RELAY 6
- 22
- 23 RELAY 7
- 24



TERMINAL BLOCKS VIEWED FROM REAR



- NOTES
- 1 CT CIRCUITS ARE SHOWN CONNECTED TO RELAY 1 AMP TAP. USE ALTERNATIVE TAP FOR 5AMP RATED CTs.
  - 2 CT & EARTH CONNECTIONS ARE TYPICAL ONLY.
  - 3 METROSIL & SETTING RESISTORS ARE REQUIRED FOR HIGH IMPEDANCE & RESTRICTED EARTH FAULT APPLICATIONS.
  - 4 FOR TERMINAL DIAGRAM SEE 2716W50001 (A2)
  - 5 THIS DIAGRAM IS USED FOR BOTH ARGUS 3&4

NOT SUBJECT TO UPDATE  
ONCE COPIED / PRINTED  
OR DOWNLOADED

MATERIAL:

Dimensions in millimetres : Surface texture in micrometres.  
Machine where marked ✓  
For explanation of dimensions, tolerances, notes etc. see B.S.308.  
Limit on untoleranced unmachined dimensions ± \_\_\_\_\_  
Limits on untoleranced machined dimensions to B.S.4500;  
i.e. up to 6±0.1; over 30 to 120±0.3; over 315±0.8;  
over 6 to 30±0.2; over 120 to 315±0.5;  
General unmachined angular tolerance ± \_\_\_\_\_

Finish: \_\_\_\_\_  
Treatment: \_\_\_\_\_

Title:  
TYPICAL SCHEMATIC DIAGRAM 3 PHASE + SEF/REF  
NUMERIC OVERCURRENT PROTECTION (ARGUS 3&4) EPSILON

Reyrolle Protection  
Hebburn.

Original Scale:  
NTS

First used on:  
Similar Articles: 2716W10002  
Supersedes:  
Drg. No.  
2716W10008

Copyright © 1999 Reyrolle Ltd.

2	19/4/02	MN434/2292
1	22/11/99	CHANGE NOTED
ISSUE	DATE	NOTED