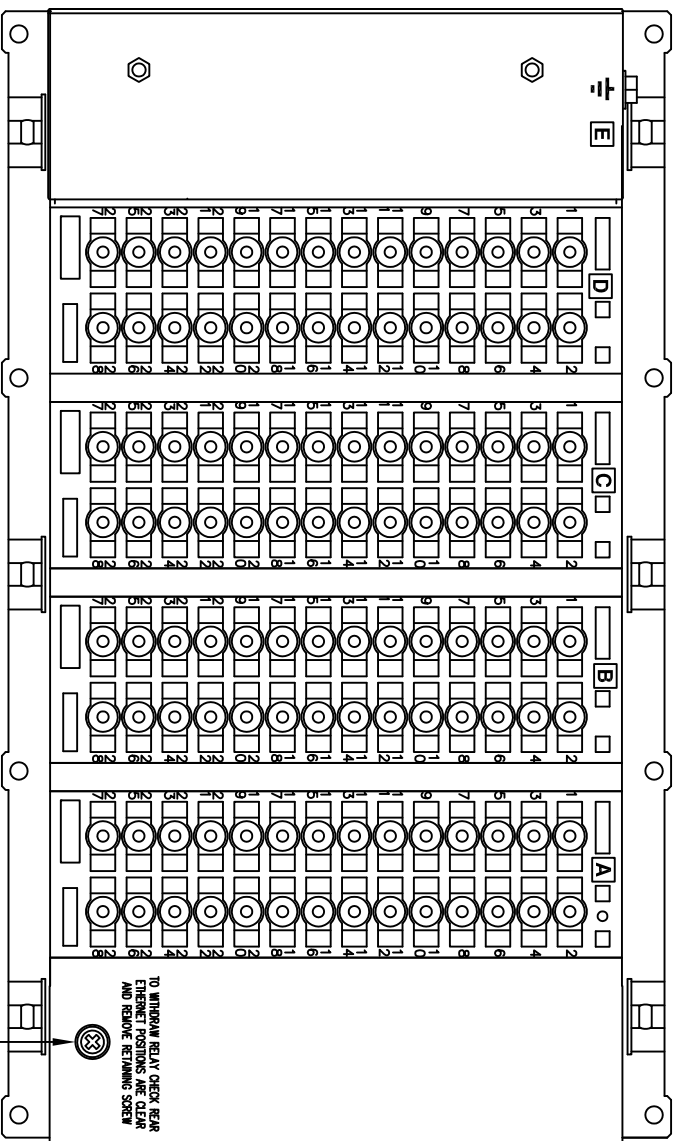
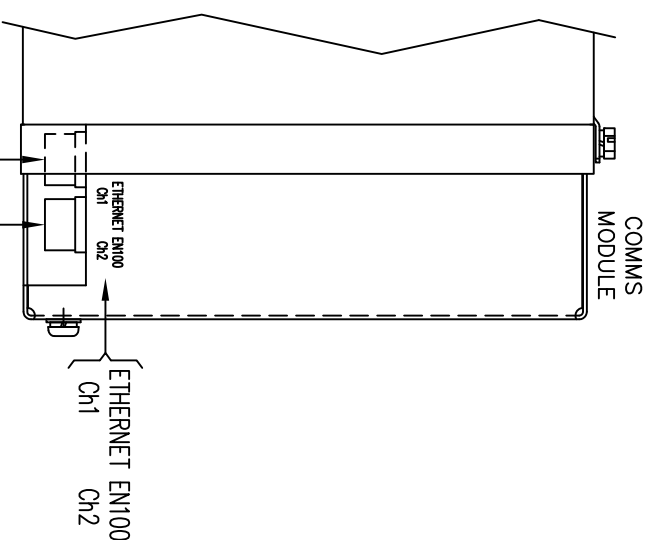


1 IF IN DOUBT ASK
2 DO NOT SCALE



RELAY VIEWED FROM REAR

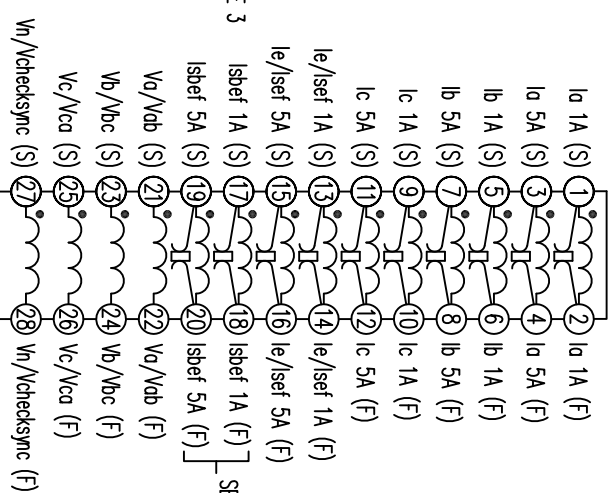
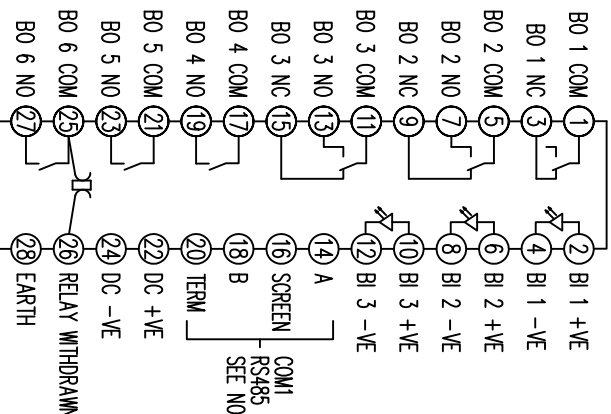
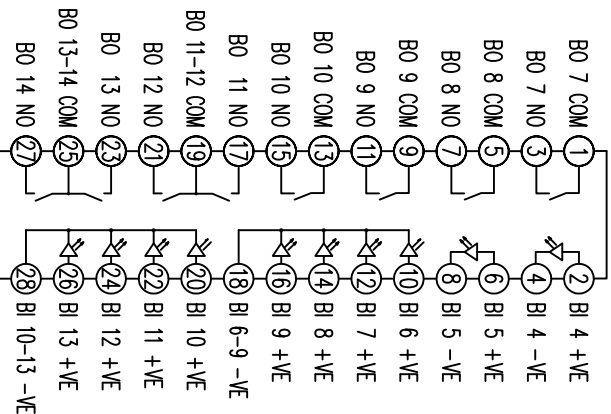
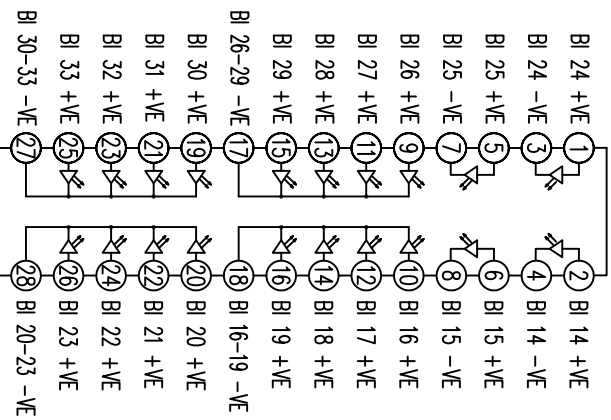
TO WITHDRAW RELAY CHECK REAR
ETHERNET POSITIONS ARE CLEAR
AND REMOVE RETAINING SCREW



PART SIDE VIEW ON ARROW 'A'
ETHERNET COMMS
INPUT CONNECTORS
(SEE NOTE 6)

**NOT SUBJECT TO UPDATE
ONCE COPIED / PRINTED
OR DOWNLOADED**

COMMS
BLANKING
PLATE



ABBREVIATIONS

I-CURRENT INPUTS
V-VOLTAGE INPUTS
BI-BINARY INPUTS
BO-BINARY OUTPUTS
CO-CHANGE OVER BINARY OUTPUT CONTACTS
NO-NORMALLY OPEN BINARY OUTPUT CONTACTS
NC-NORMALLY CLOSED BINARY OUTPUT CONTACTS

SERIAL PORT IDENTIFICATION

COM1	RS485 (ON BLOCK 'B' TERMINALS 14,16,18 & 20)
COM2	USB TYPE 'B' PORT (ON RELAY FRONT LABEL)
ETHERNET PORT IDENTIFICATION	
Ch1	ETHERNET PORT (ON REAR COMMS MODULE)
Ch2	ETHERNET PORT (ON REAR COMMS MODULE)

Copyright © 2009 Siemens Protection Devices Ltd. Hebburn

1	19/05/09	CHANGE NOTED
2	25/07/11	MN3444 KB 3.1139
3	30/7/13	RETAINING SCREW POSITION CHANGED. MN435/3650, 3H770, KB
2	RDW	61850 COMMS ADDED MN3444 KB 3.1139

MATERIAL:

Dimensions in millimetres : Surface texture in micrometres.
Machine where marked V

For explanation of dimensions, tolerances, notes etc. see B.S.308.

Limit on untoleranced unmachined dimensions ±

Limits on untoleranced machined dimensions to B.S.4500:

i.e. up to 6±0.1; over 30 to 120±0.3; over 315±0.8;
over 6 to 30±0.2; over 120 to 315±0.5;
General unmachined angular tolerance ±

Finish:
Treatment:

Title:
7SR224, E12, TERMINAL ID & WIRING DIAGRAM
5I,4V,33BI, 2C0, 11NO, 1NC, RS485 & ETHERNET(X2) COMMS

SIEMENS PROTECTION DEVICES LTD.

Original Scale.

NTS

Dwg. No.

2435W40056

DRAWN A.LAW

CHECKED RD.WATSON

APPROVED RD.WATSON

DATE 29/06/09

IE

OPS

PCP

Purch.Spec. TQ

EAC

CE

STD

A3