

IF IN DOUBT ASK
DO NOT SCALE

A

B

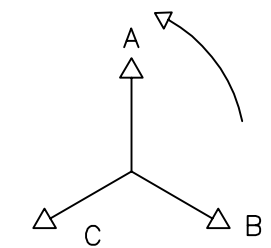
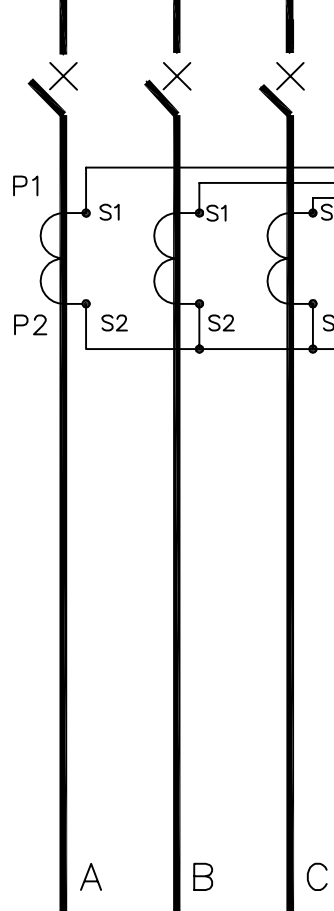
C

D

E

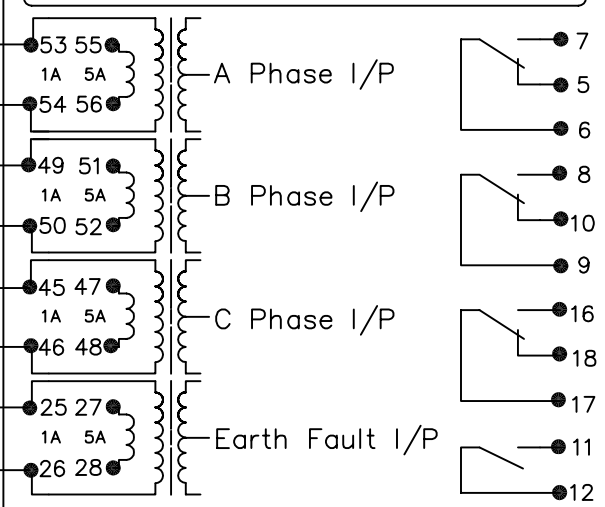
F

BUSBARS



PHASE ROTATION

GAF41xC (ARGUS 3/4) MODULAR SIZE 6 CASE



D.C Auxilliary
Input Volts

Earth Case Earth

STATUS I/P 1

A
B
TERM
SCN

STATUS PCB

RS485
Connectors

RELAY 1

RELAY 2

RELAY 3

RELAY 4

RELAY 5

RELAY 6

RELAY 7

+ STATUS I/P 9 (CLOSE & RECLAIM)

+ STATUS I/P 8 (TRIP & LOCKOUT)

+ STATUS I/P 7 (CB CLOSED)

+ STATUS I/P 6 (CB OPEN)

+ STATUS I/P 5

+ STATUS I/P 4

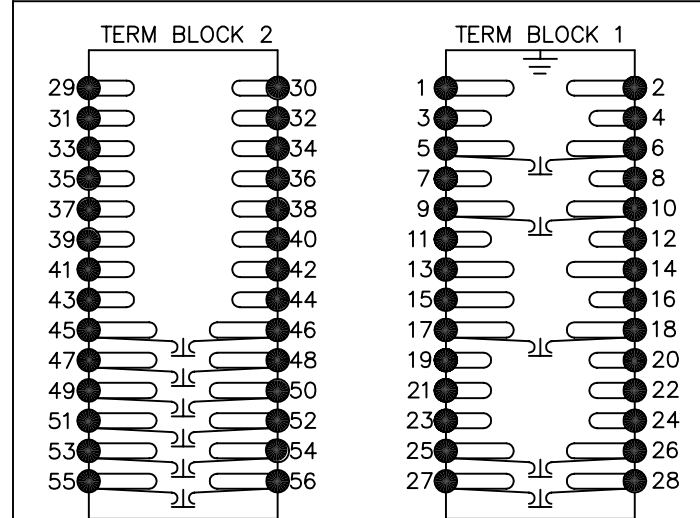
+ STATUS I/P 3

+ STATUS I/P 2

NOTES

- 1 CT CIRCUITS ARE SHOWN CONNECTED TO RELAY 1 AMP TAP. USE ALTERNATIVE TAP FOR 5AMP RATED CTs.
- 2 CT & EARTH CONNECTIONS ARE TYPICAL ONLY.
- 3 FOR TERMINAL DIAGRAM SEE 2716W50003 (A2)
- 4 THIS DIAGRAM IS USED FOR BOTH ARGUS 3 & ARGUS 4.

TERMINAL BLOCKS VIEWED FROM REAR



KEY

- 1 Short Terminals
- 2 Long Terminals
- 3 CT Shorting Links

**FOR INFORMATION ONLY
UNCONTROLLED COPY
NOT SUBJECT TO UPDATE**

MATERIAL:

Dimensions in millimetres : Surface texture in micrometres.
Machine where marked ✓
For explanation of dimensions, tolerances, notes etc. see B.S.308.
Limit on untoleranced unmachined dimensions ± _____
Limits on untoleranced machined dimensions to B.S.4500;
i.e. up to 6±0.1; over 30 to 120±0.3; over 315±0.8;
over 6 to 30±0.2; over 120 to 315±0.5;
General unmachined angular tolerance ± _____

Finish:

Treatment:

Title:
TYPICAL SCHEMATIC DIAGRAM FOR 3 PHASE & E/F RS485
NUMERIC OVERCURRENT PROTECTION (ARGUS 3&4) EPSILON

**Reyrolle Protection
Hebburn.**

Original Scale.
NTS

First used on:

Similar Articles: 2716W10007

Supersedes:

Org. No.

2716W10013

Copyright © 2005 Reyrolle Ltd.

1	04/11/05	CHANGE NOTED
ISSUE	DATE	NOTED