

IF IN DOUBT ASK
DO NOT SCALE

A

B

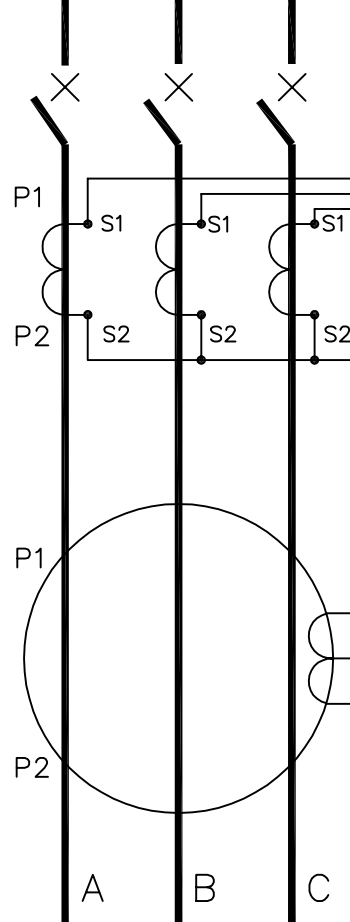
C

D

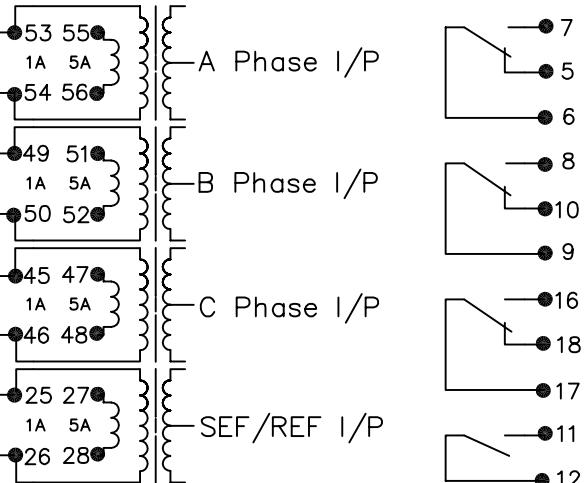
E

F

BUSBARS

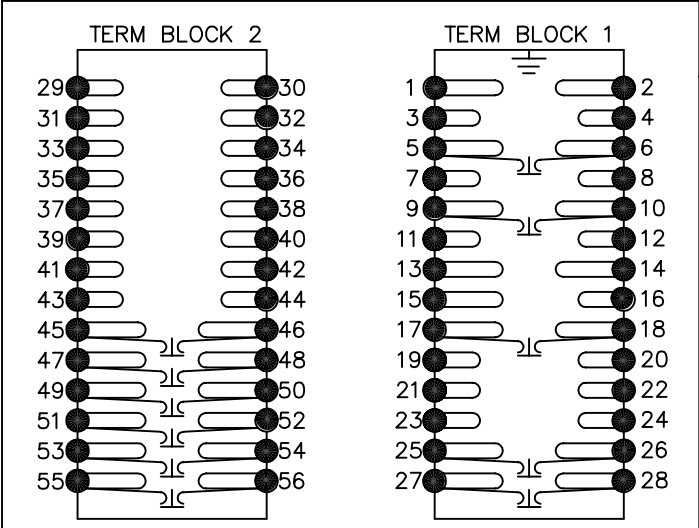


GAF42xC (ARGUS 3&4) MODULAR SIZE 6 CASE



- 7 RELAY 1
- 5
- 6
- 8 RELAY 2
- 10
- 9
- 16 RELAY 3
- 18
- 17 RELAY 4
- 11
- 12
- 19 RELAY 5
- 20
- 21 RELAY 6
- 22
- 23 RELAY 7
- 24

TERMINAL BLOCKS VIEWED FROM REAR



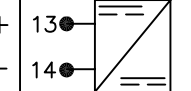
KEY

- 1 Short Terminals
- 2 Long Terminals
- 3 CT Shorting Links

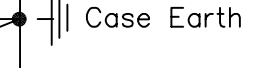
NOTES

- 1 CT CIRCUITS ARE SHOWN CONNECTED TO RELAY 1 AMP TAP. USE ALTERNATIVE TAP FOR 5AMP RATED CTs.
- 2 CT & EARTH CONNECTIONS ARE TYPICAL ONLY.
- 3 METROSIL & SETTING RESISTORS ARE REQUIRED FOR HIGH IMPEDANCE & RESTRICTED EARTH FAULT APPLICATIONS.
- 4 FOR TERMINAL DIAGRAM SEE 2716W50003 (A2)
- 5 THIS DIAGRAM IS USED FOR BOTH ARGUS 3&4

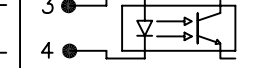
D.C Auxilliary Input Volts



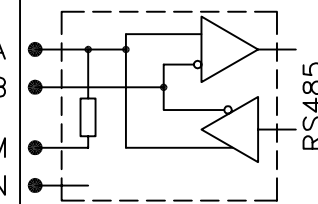
Earth



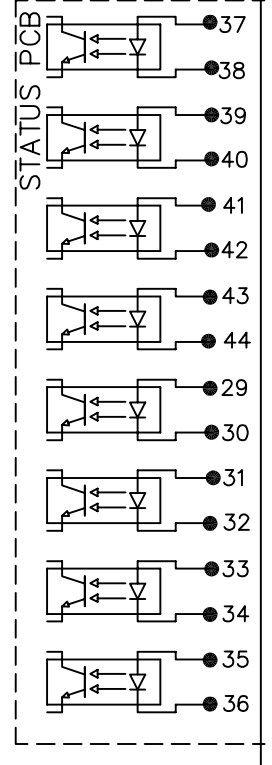
STATUS I/P 1



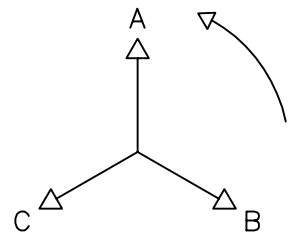
TERM SCN



STATUS PCB



- + STATUS I/P 9 (CLOSE & RECLAIM)
- STATUS I/P 9
- + STATUS I/P 8 (TRIP & LOCKOUT)
- STATUS I/P 8
- + STATUS I/P 7 (CB. CLOSED)
- STATUS I/P 7
- + STATUS I/P 6 (CB. OPEN)
- STATUS I/P 6
- + STATUS I/P 5
- STATUS I/P 5
- + STATUS I/P 4
- STATUS I/P 4
- + STATUS I/P 3
- STATUS I/P 3
- + STATUS I/P 2
- STATUS I/P 2



PHASE ROTATION

MATERIAL:

Dimensions in millimetres : Surface texture in micrometres.
Machine where marked ✓
For explanation of dimensions, tolerances, notes etc. see B.S.308.
Limit on untoleranced unmachined dimensions ± _____
Limits on untoleranced machined dimensions to B.S.4500;
i.e. up to 6±0.1; over 30 to 120±0.3; over 315±0.8;
over 6 to 30±0.2; over 120 to 315±0.5;
General unmachined angular tolerance ± _____

Finish:

Treatment:

Title:
TYPICAL SCHEMATIC DIAGRAM 3 PHASE + SEF/REF RS485
NUMERIC OVERCURRENT PROTECTION (ARGUS 3&4) EPSILON

**Reyrolle Protection
Hebburn.**

Original Scale.
NTS

First used on:

Similar Articles: 2716W10008

Supersedes:

Org. No.
2716W10014

FOR INFORMATION ONLY
UNCONTROLLED COPY
NOT SUBJECT TO UPDATE

1	04/11/05	CHANGE NOTED
ISSUE	DATE	NOTED