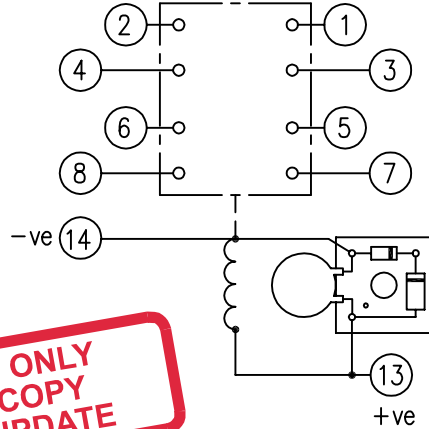


LOOKING ON FRONT OF RELAY



FOR INFORMATION ONLY
UNCONTROLLED COPY
NOT SUBJECT TO UPDATE

NOTE:

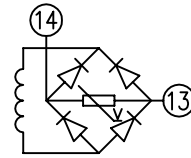
1. HEAVY DUTY CONTACTS ARE FITTED WITH BLOWOUT MAGNETS AND ARE POLARITY CONSCIOUS. SEE TABLE FOR +VE TERMINAL.

KEY

- make contact
- break contact
- c/o contact
- ext. conn
- plug bridge
- shorting
- metering point
- 5Kv barrier
- test socket
- shorting
- plug & socket

CONTACT CONFIG.	OUTPUT CONTACT PAIR / TERMINAL No.					
	1-3	2-4	5-7	6-8	9-11	10-12
4M	M	M	M	M		
3M 1B	M	B	M	M		
2M 2B	B	B	M	M		
1M 3B	B	B	M	B		
4B	B	B	B	B		
4M(HD)	M+	M+	M+	M+		
3M(HD) 1B(HD)	M+	M+	M+	+B		
2M(HD) 2B(HD)	M+	M+	+B	+B		
1M(HD) 3B(HD)	M+	+B	+B	+B		
4B(HD)	+B	+B	+B	+B		
2M(HD)2M(STD)	M+	M+	M	M		
2M(HD)2B(STD)	M+	M+	B	B		

NOTE: WHEN RECTIFIER IS SPECIFIED COIL CONNS. ARE AS SHOWN.



FRAME REFERENCE: E2FAQQ.

FRAME TERMINAL BLOCK ASSY: -

ASSEMBLY INSTRUCTIONS: -
TYPICAL ASSEMBLY DRAWING 2995G10032.
AT INDICATED POSITIONS FIT AS FOLLOWS:
T - FIT TRIP ISOLATION CONTACT 2995B10053
S - FIT STANDARD CONTACT 2995B10054
SECURE CONTACTS USING FIXING SCREW 2109F99009.
POSITIONS SHOWN BLANK ARE UNUSED

2	T	T	1
4	T	T	3
6	T	T	5
8	T	T	7
10			9
12			11
14	S	S	13
16			15
18			17
20			19
22			21
24			23
26			25
28			27

VIEW FROM NUMBERED SIDE OF BLOCK

OUTER TERMINAL BLOCK ASSY: -

ASSEMBLY INSTRUCTIONS: -
TYPICAL ASSEMBLY DRAWING 2995G10029.
AT INDICATED POSITIONS FIT AS FOLLOWS:
S - FIT STANDARD CONTACT 2995B10051
HC - FIT 'HEAVY CURRENT' KIT 2995G10030
WHERE IS SHOWN FIT CT SHORTING KIT 2995G10031
POSITIONS SHOWN BLANK ARE UNUSED.
ALL POSITIONS FIT SCREW 2106F12506.

2	S	S	1
4	S	S	3
6	S	S	5
8	S	S	7
10			9
12			11
14	S	S	13
16			15
18			17
20			19
22			21
24			23
26			25
28			27

VIEW FROM INSIDE FACE

1	01/02/05	MOD.No.	Title. T.B. AND W.D. - XR105D/XR106D 4 CONT. RELAYS IN EPSILON E2 CASE.		First used on:
			<p style="font-size: 2em; font-weight: bold;">Reyrolle Protection Hebburn.</p>		Similar Articles:
<p style="font-size: 2em; font-weight: bold;">2112W50169</p>		Supersedes:			
		<p style="font-size: 1.5em;">Original Scale.</p>		Drg.No.	
DRAWN: RDW				CHECKED: R.D.WATSON	APPROVED: R.D.WATSON