



Reyrolle
Protection
Devices

7PG1110- 7AE10 AR901

CT Shorting Relay

Energy Management

SIEMENS

7PG1110- 7AE10 AR901

CT Shorting Relay



Description

The 7PG1110-7AE10 AR901 electromechanical CT Shorting relay is a variant of our standard 7PG11/AR series of relays.

It is provided with 4 pairs of contacts and is electrically operated and reset.

The Epsilon case, size E2, is fitted with case shorting contacts which will short connected CTs in the event that the relay is withdrawn.

Technical Data

Inputs and Outputs

Rated Voltage (Vn)	
D.C.	30, 50, 125, 240V
Operating Range	
D.C.	70% to 115% of rated voltage
Burden	3 to 5W

Output Contacts

Make and carry continuously	1250VA within the limits of 660V and 5A
Make and carry for 3 seconds	50A RMS
Minimum number of operations	1000 at maximum load

Electrical Tests

Insulation

IEC 60255-5 RMS levels for 1 minute

Between contacts to earth and to the coil	2.0 kV
Between any case terminal and earth	2.0 kV
Between case terminals of independent circuits	2.0 kV
Across normally open contacts	3.0 kV

Transient Overvoltage

IEC 60255-5

Between all terminals and earth or between any two independent circuits without damage or flashover	5 kV 1.2/50 μ s 0.5 J
---	---------------------------------

Mechanical

Vibration (Sinusoidal)

IEC 255-21-1	The relays meet the requirements of Class 1 for vibration response and endurance
BS142 section 2.1 category S2	relays will withstand a 20G shock or impact on the panel without operating

Shock Bump

IEC 255-21-2	Class 1 severity
BS142, sub-section 1.5.2. (1989)	Class 1 severity

Mechanical Life

Durability	in excess of 10,000 operations with the contact rating at a rate of 600 operations per hour
------------	---

Environmental

Temperature

IEC 68-2-1/2

Operating	-10 °C to +55 °C
Storage	-25 °C to +70 °C

Humidity

IEC 68-2-3

Operational test	56 days at 40 °C and 95% RH
------------------	-----------------------------

Performance

Instantaneous Operating time	
Typically	40ms
Range	30ms to 50ms

Case Dimensions

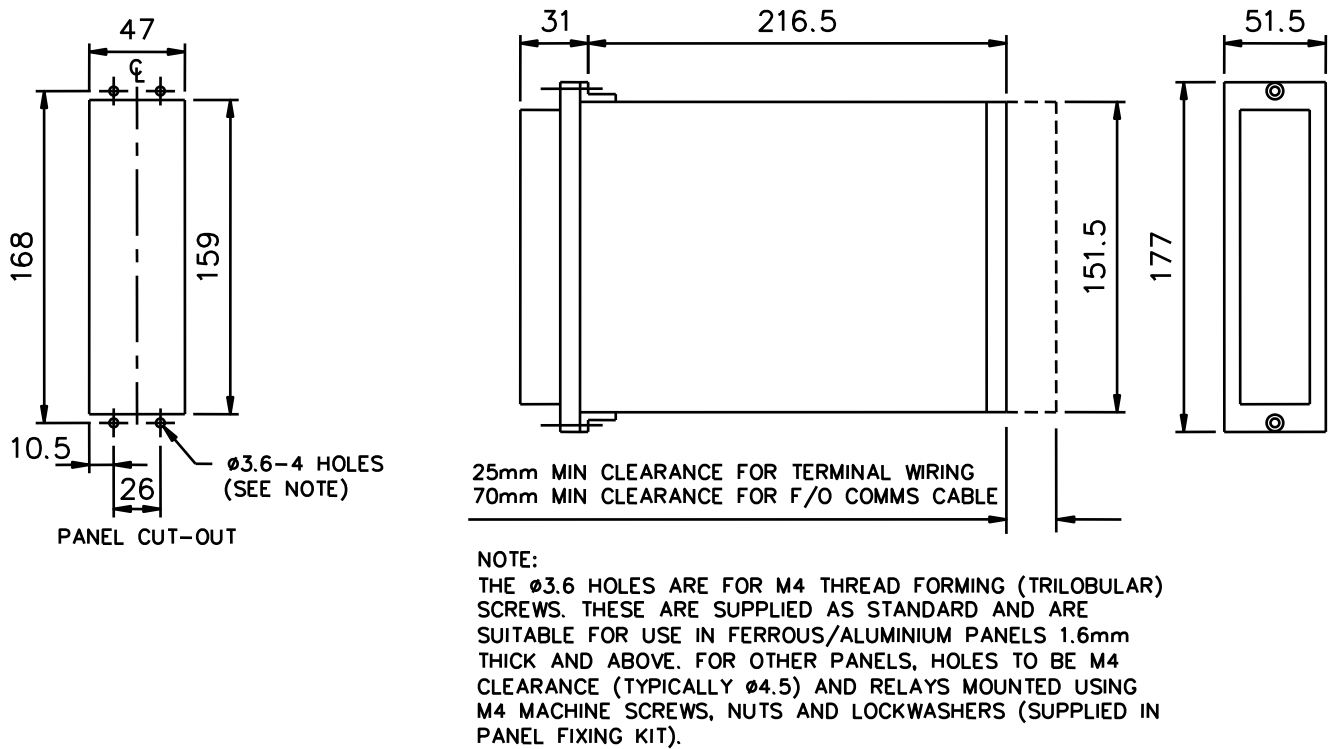
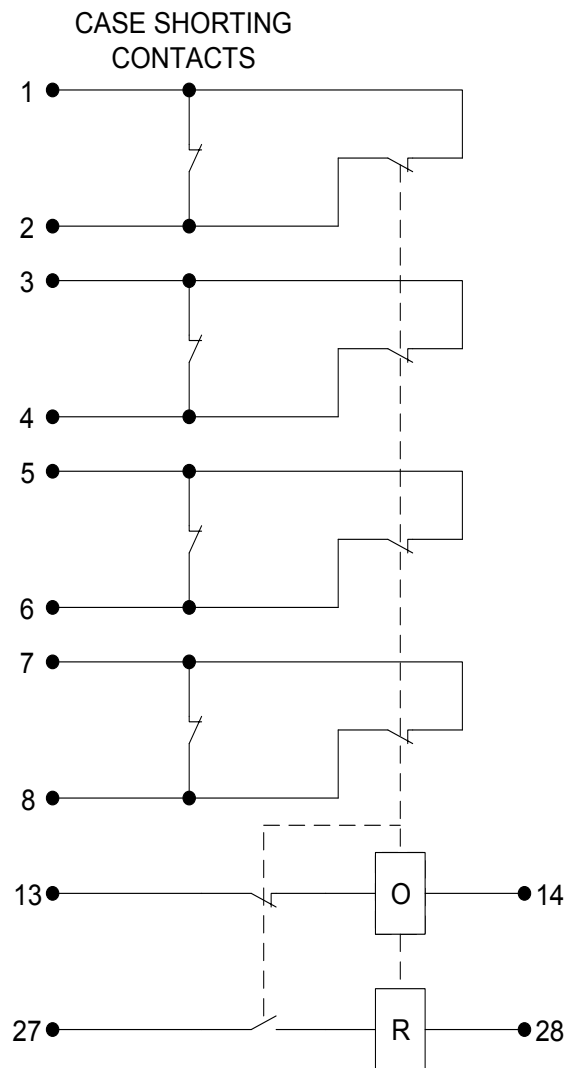


Fig 1. E2 Case Dimensions

Connection Diagram 7PG11 AR



Terminal Numbering (E2 Case) Viewed from Rear

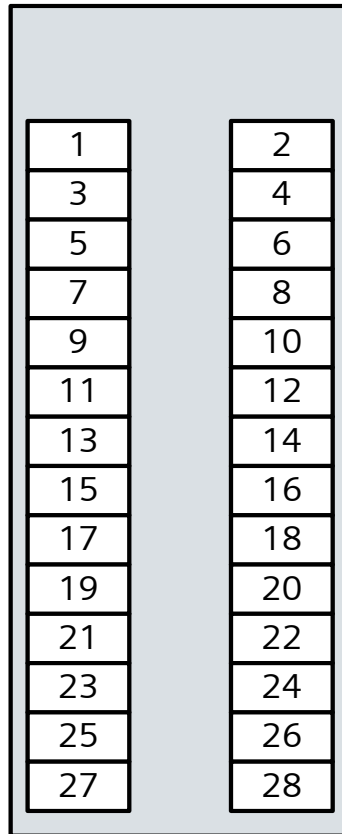


Fig 2. Connection Diagrams

Ordering Information – 7PG110-7AE10 AR 901

Product description	Variants	Order No.
Auxiliary relay (AR901) D.C. voltage operated relay.	<u>Number of elements</u> Single element <u>Type of flag</u> No flag <u>Contact operation</u> CT shorting contacts <u>Contact arrangement – NO</u> 0 NO <u>Contact arrangement NC</u> 4 NC <u>Number of contacts ²⁾</u> Four <u>Contact type ¹⁾</u> NO (Standard) / NC (Standard) <u>Time delay</u> No additional time delay <u>Housing size</u> Case size E2 (4U high) <u>Voltage rating</u> 30V DC 50V DC 125V DC 240V DC <u>Back emf suppression diode</u> Not Fitted	7 P G 1 1 1 0 - 7 A E 1 0 - 0 A □ 0 ↑ ↑ ↑ ↑ ↑ ↑ ↑ ↑ ↑ ↑ ↑ ↑ ↑ ↑ ↑ 1 0 7 A E 1 0 0 A C D F H 0

Published by and copyright © 2016:

Siemens Protection Devices Limited

P.O. Box 8

North Farm Road

Hebburn

Tyne & Wear

NE31 1TZ

United Kingdom

Phone: +44 (0)191 401 7901

Fax: +44 (0)191 401 5575

E-mail: marketing.spdl.qb@siemens.com

EMDG-C10092-00-76GB

July 2013

For enquires please contact our Customer Support Centre

Phone: +49 180/524 8437 (24hrs)

Fax: +49 180/524 24 71

E-mail: support.ic@siemens.com

www.siemens.com/reyrolle

Subject to change without notice, Printed in the UK.

www.siemens.com/Reyrolle