

- NOTES**
- 1) TERMINALS RECOMMENDED ARE PRE-INSULATED & MUST BE CRIMPED USING APPROVED TOOLING. AMP PDS OR PLASTI GRIP FUNNEL ENTRY (RING TONGUE) FOR M4 FIXING STUD.
 - 2) FOR OUTLINE & PANEL DRILLING, SEE 2995X10004 (A4).
 - 3) CONNECTIONS TO THIS COMMUNICATIONS FACILITY IS BY SCREENED, TWISTED PAIR CABLE. ON SITE WHEN WIRING OTHER FACILITIES ENSURE THAT THESE TERMINALS ARE NOT OBSCURED BY OTHER WIRE RUNS.
 - 4) CONTACTS SHOWN THUS ARE INTERNAL RELAY CASE ASSEMBLY CONTACTS AND CLOSE WHEN THE RELAY CHASSIS IS WITHDRAWN FROM THE CASE.
 - 5) FOR THE RELAY CASE ASSEMBLY SEE 2436G40049

SUPPLIER PART NUMBER CABLE SIZE
AMP 342103 0.25-1.6mm²
AMP 342143 1.0-2.6mm²

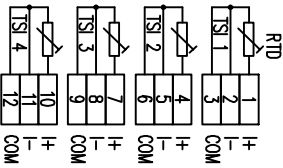
OR ANY OTHER MANUFACTURERS EQUIVALENT TERMINAL.

ABBREVIATIONS

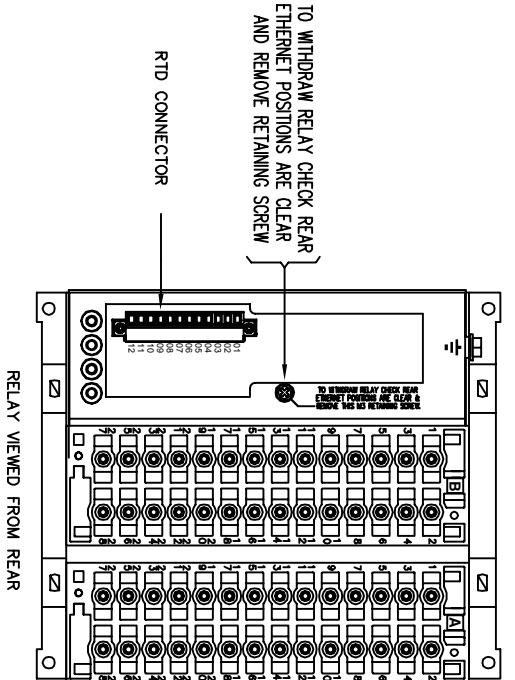
I-CURRENT INPUTS
V-VOLTAGE INPUTS
BI-BINARY INPUTS
BO-BINARY OUTPUTS
CO-CHANGE OVER BINARY OUTPUT CONTACTS
NO-NORMALLY OPEN BINARY OUTPUT CONTACTS
NC-NORMALLY CLOSED BINARY OUTPUT CONTACTS

COMMUNICATIONS IDENTIFICATION

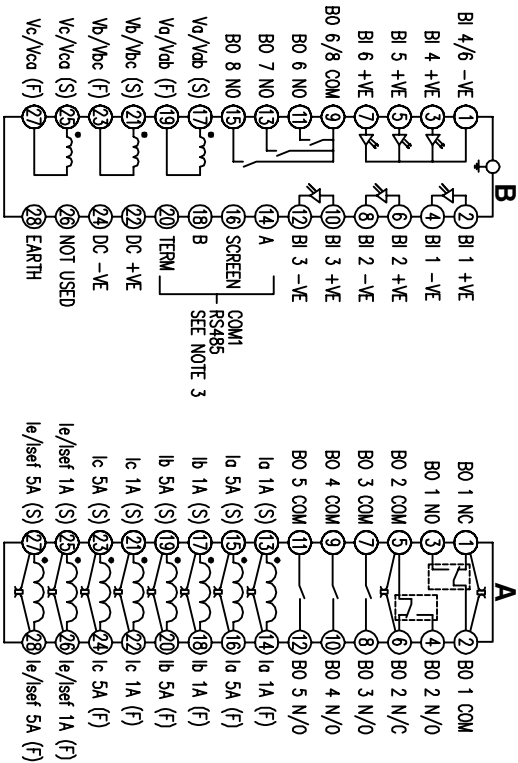
COM1	RS485 (ON BLOCK 'B' TERMINALS 14,16,18 & 20)
COM2	USB TYPE 'B' PORT (ON RELAY FRONT LABEL)



CONNECTOR 1



RELAY VIEWED FROM REAR



COMMS MODULE



FOR INTERNAL USE ONLY
UNCONTROLLED COPY
NOT SUBJECT TO UPDATE

Rev	1A	Change	Change	Date	2007	Name	AMAR
DRAWING RELEASED							
FINISH							
Name: AMAR DRN BY: AMAR CHD BY: JOHN SF APPD BY: JAVANT J EM EA PRO R&D							
Material: NTS Material Scale: NTS Material: Valmings							
Title: TERMINAL ID & WIRING DIAGRAM FOR 7SR17 4CT+3VT+6BI+8BO(2CO+6NO), 4 RTD							
Document No: 2436W40071 Part No: 1A							
Rev: 1 of 1							