

IF IN DOUBT ASK  
DO NOT SCALE

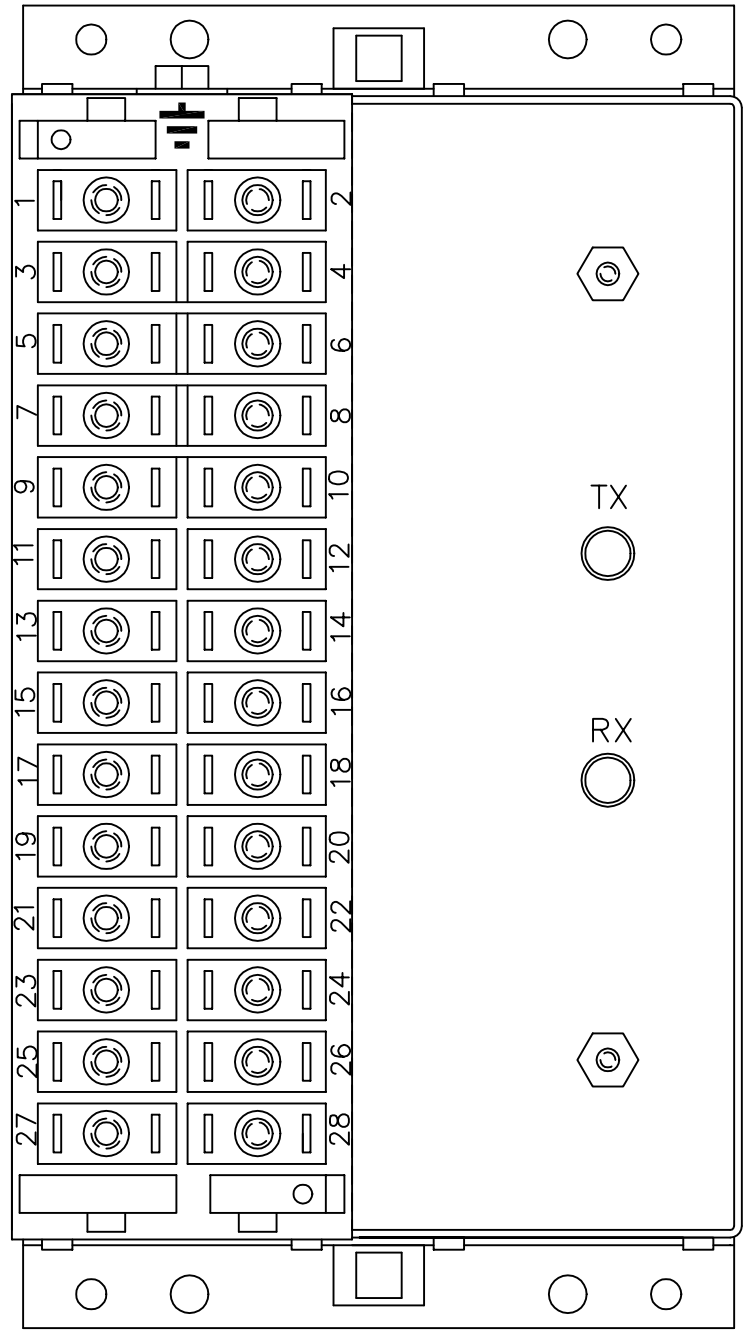
PROTECTION TYPE	SCHEMATIC DIAGRAM
SINGLE PHASE EARTH(DIR)	2434W10020 (A3)

NOTES  
 1 FOR R4 BOX ASSY SEE 2434H10004 (A1)  
 2 TERMINALS RECOMMENDED ARE PRE INSULATED & MUST BE CRIMPED USING APPROVED TOOLING. AMP PIDG OR PLASTI GRIP FUNNEL ENTRY (RING TONGUE) FOR M4 FIXING STUD.

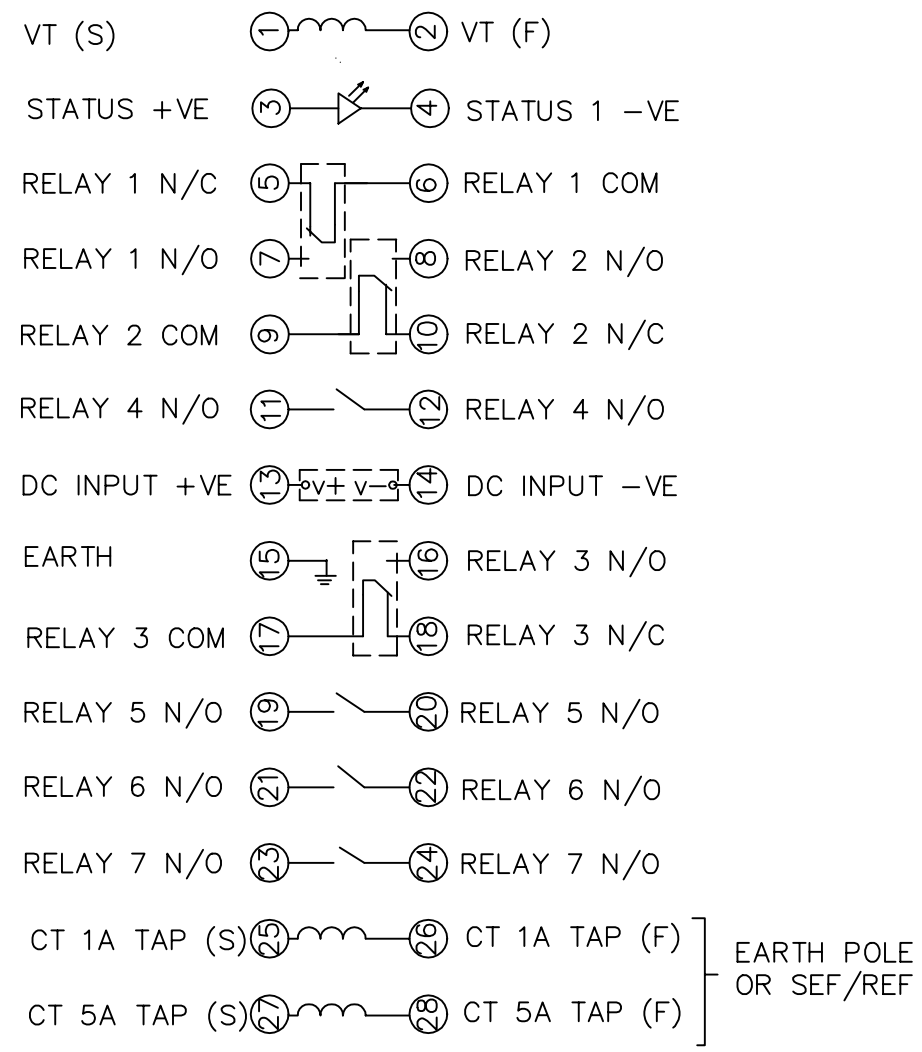
SUPPLIER	AMP	CABLE SIZE
AMP	342103	0.25-1.6 SQ MM
AMP	342143	1.0-2.6 SQ MM.

OR ANY OTHER MANUFACTURERS EQUIVALENT TERMINAL.

3 FOR OUTLINE & DRILLING DRG SEE 2434X10001 (A4).  
 4 PROTECTIVE CAPS TAKEN FROM FIBRE OPTIC CONNECTORS MAY BE RETAINED ON COMMS INTERFACE FIXING NUTS.



BOX VIEWED FROM REAR



**NOT SUBJECT TO UPDATE  
ONCE COPIED / PRINTED  
OR DOWNLOADED**

MATERIAL:

Dimensions in millimetres ; Surface texture in micrometres.  
 Machine where marked ✓  
 For explanation of dimensions, tolerances, notes etc. see B.S.308.  
 Limit on untoleranced unmachined dimensions ± \_\_\_\_\_  
 Limits on untoleranced machined dimensions to B.S.4500;  
 i.e. up to 6±0.1; over 30 to 120±0.3; over 315±0.8;  
 over 6 to 30±0.2; over 120 to 315±0.5;  
 General unmachined angular tolerance ± \_\_\_\_\_

Finish: \_\_\_\_\_  
 Treatment: \_\_\_\_\_

Title:  
 TERMINAL IDENTIFICATION & RELAY WIRING DIAGRAM  
 SINGLE POLE DIRECTIONAL DCD RELAY (R4 CASE)  
**Reyrolle Protection  
 Hebburn.**  
 Original Scale:  
 1:1

First used on:  
 Similar Articles: 2434W20002  
 Supersedes:  
 Drg. No.  
**2434W20004**

2	28/4/97	MN434/81
1	28/8/96	CHANGE NOTED