

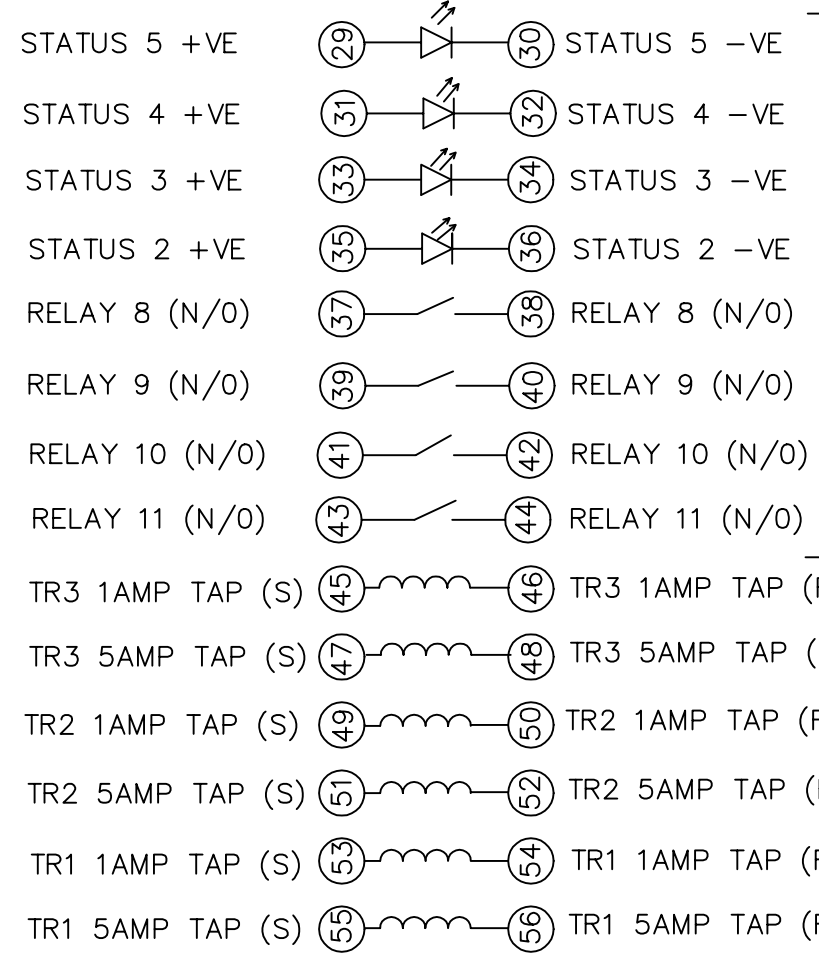
IF IN DOUBT ASK
DO NOT SCALE

PROTECTION TYPE	SCHEMATIC DIAGRAM
3 PHASE+EARTH	2434W10014 (A3)
3 PHASE+SEF	2434W10015 (A3)
2 PHASE+EARTH	2434W10016 (A3)
3 PHASE	2434W10017 (A3)
2 PHASE+SEF	2434W10018 (A3)
2 PHASE+EARTH+SEF	2434W10019 (A3)
2 PHASE+EARTH(DIR)	2434W10024 (A3)

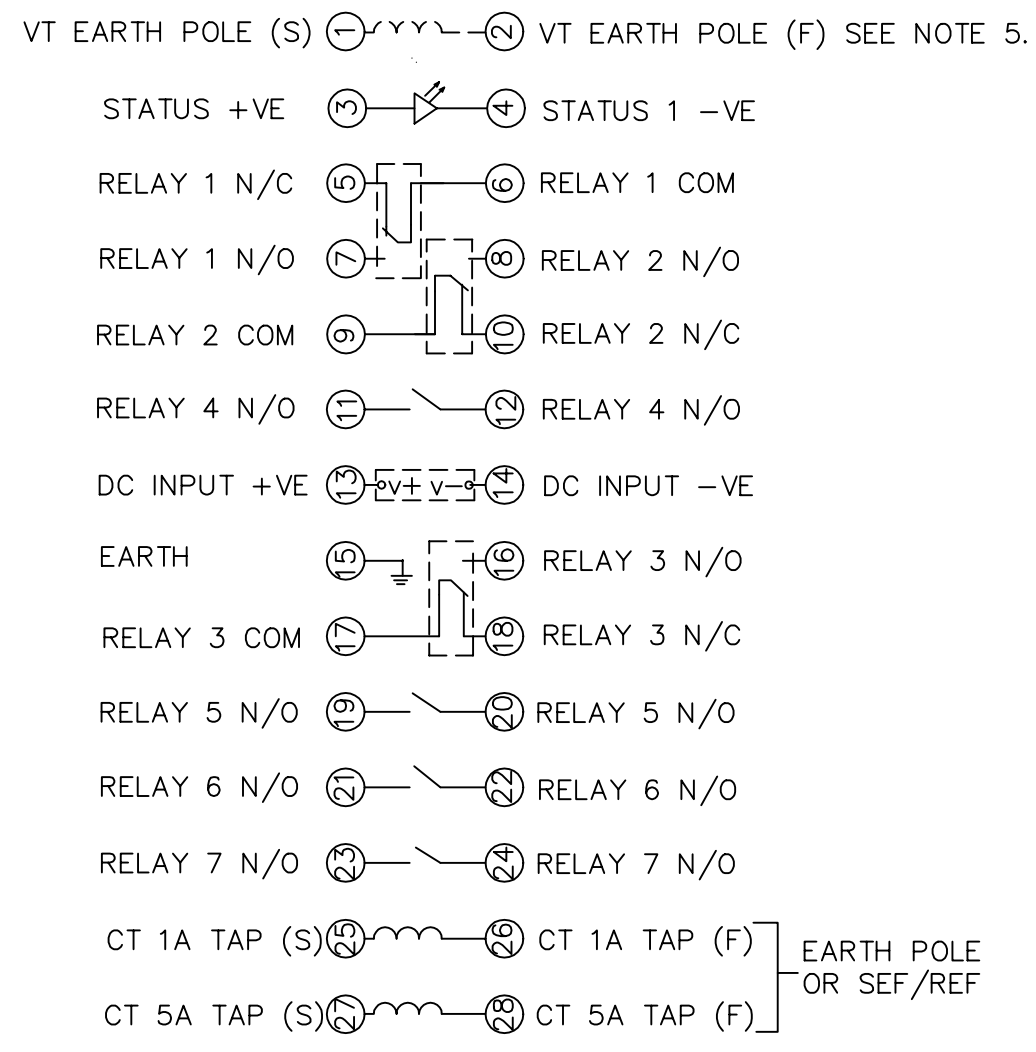
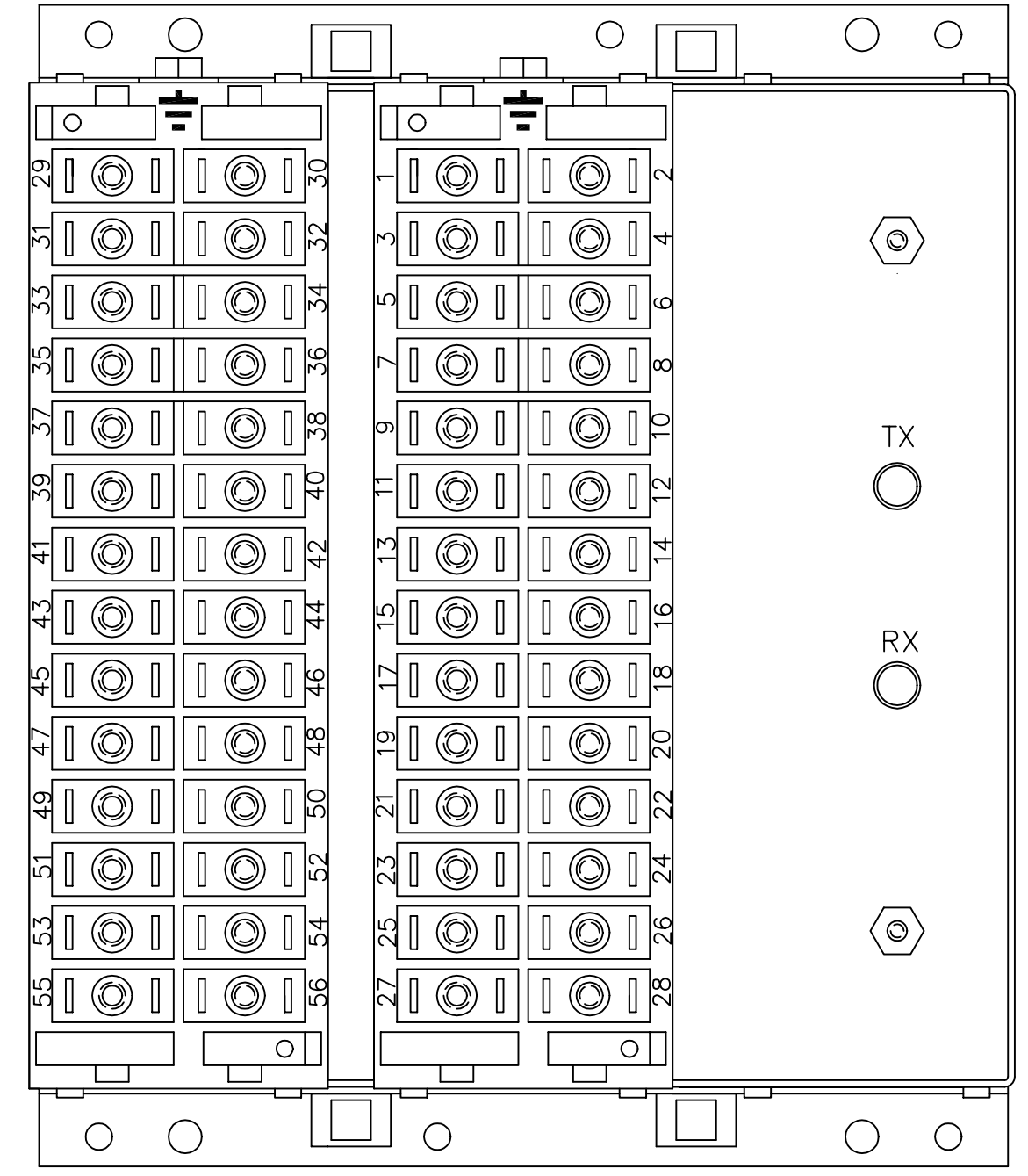
NOTES
 1 FOR R6 BOX ASSY SEE 2434H10002 (A1)
 2 TERMINALS RECOMMENDED ARE PRE INSULATED & MUST BE CRIMPED USING APPROVED TOOLING. AMP PIDG OR PLASTI GRIP FUNNEL ENTRY (RING TONGUE) FOR M4 FIXING STUD.

SUPPLIER	AMP	CABLE SIZE
	342103	0.25-1.6 SQ MM
	342143	1.0-2.6 SQ MM.

 OR ANY OTHER MANUFACTURERS EQUIVALENT TERMINAL.
 3 FOR OUTLINE & DRILLING DRG SEE 2434X10001 (A4).
 4 PROTECTIVE CAPS TAKEN FROM FIBRE OPTIC CONNECTORS MAY BE RETAINED ON COMMS INTERFACE FIXING NUTS.
 5 RELAYS WITH DIRECTIONAL E/F POLE BUT NON DIRECTIONAL P/F ARE HOUSED IN R6 CASE. (SEE TERMINALS 1&2).



CONNECTIONS FOR EXP BOARD WHEN REQUIRED



**NOT SUBJECT TO UPDATE
ONCE COPIED / PRINTED
OR DOWNLOADED**

MATERIAL: Dimensions in millimetres ; Surface texture in micrometres. Machine where marked ✓ For explanation of dimensions, tolerances, notes etc. see B.S.308. Limit on untoleranced unmachined dimensions ± _____ Limits on untoleranced machined dimensions to B.S.4500; i.e. up to 6±0.1; over 30 to 120±0.3; over 315±0.8; over 6 to 30±0.2; over 120 to 315±0.5; General unmachined angular tolerance ± _____		Finish: _____ Treatment: _____	Title: TERMINAL IDENTIFICATION & RELAY WIRING DIAGRAM 4 POLE DCD RELAY (R6 CASE)	Original Scale: 1:1	Drg. No. 2434W20001
DRAWN M LEASK CHECKED _____ APPROVED R.D.WATSON	DATE 23/07/02	IE _____ OPS _____ PCP _____ Purch.Spec. TQ _____	EAC _____ CE _____ STD _____	A2 _____	Copyright © Reyrolle Ltd.

3	28/1/97	MN434/81
2	23/9/96	MN434/32
1	28/8/96	CHANGE NOTED