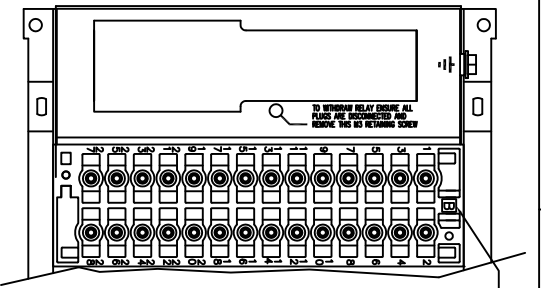
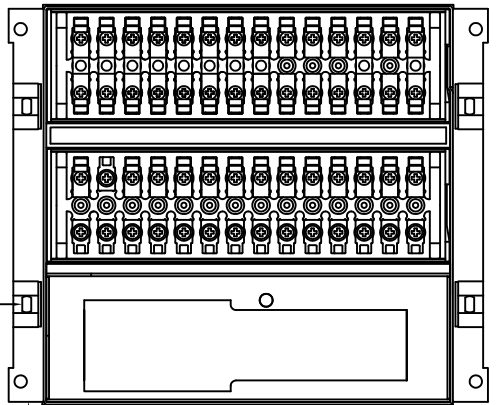


IF IN DOUBT ASK
DO NOT SCALE



PART REAR VIEW ON ARROW 'B'

TERMINAL I.D. LABEL FITTED TO EACH TERMINAL BLOCK IN THE POSITION SHOWN.

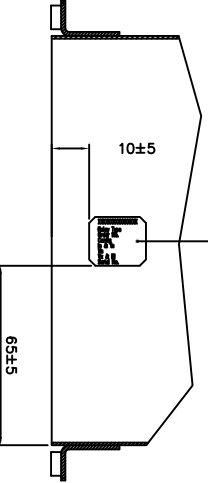


COVER ASSEMBLY - 2995G10023 (NO RESET PUSHBUTTONS)

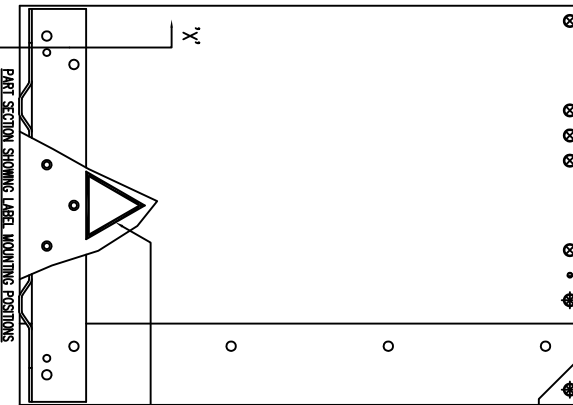
- NOTES
- RATING LABEL 2436090014 (BLANK 2109899226) TO BE PRINTED AND FIXED TO THE INSIDE FACE OF THE ENCLOSURE, IN THE DIRECTION OF ARROW 'X'- 'X'
 - 410A24029 HAZARD WARNING LABEL, TO BE FITTED TO INSIDE LOWER FACE OF BOX IN A CENTRAL POSITION.
 - COVER ASSEMBLY (NOT SHOWN)
 - FOR TERMINAL IDENTIFICATION, RELAY EXTERNAL WIRING & TERMINAL BLOCK LETTER I.D. POSITION, SEE DIAGRAM 2436M40015

FOR INTERNAL USE ONLY
UNCONTROLLED COPY
NOT SUBJECT TO UPDATE

- 2436G10007 TERMINAL BLOCK ASSEMBLY - 1 OFF
- 2109F99009 SCREW - 4 OFF
- 2995B10067 REAR BLANK - 1 OFF
- 2109F99009 SCREW - 2 OFF
- 2436G10003 TERMINAL BLOCK ASSEMBLY - 1 OFF
- 2109F99009 SCREW - 4 OFF
- 2995G10078 EARTH FINING KIT - 1 OFF
- 2436B10025 61850 COMMS HOUSING - 1 OFF
- 2906F42206 SCREW - 4 OFF
- 2995G10037 ASSY E6 WRAPROUND - 1 OFF



RATING INFORMATION
SLIT-IN LABEL -
2436090014
(2109899226)



MATERIAL:

Dimension is millimetres : Surface texture is microtexture.
Material where required is:
Dimensions are in millimetres.
For expansion of dimensions, tolerances, notes etc. see B.S.2000
Units are unrounded and rounded to B.S.5000.
Limits on unrounded and rounded dimensions to B.S.5000
are as follows: over 20 to 120mm, over 300mm
over 6 to 20mm, over 120 to 300mm.
DRAWN: K.BURTON CHECKED: J.S. APPROVED: I.O. DATE: 08/02/15 E

Frank:	2436G10015	Issue:	1
Title:	7SR1 RELAY PLATFORM E6 CASE ASSEMBLY	Date:	08/02/15
Product:	4C1+3B1+5B0, RS485, FF.A(20m) COMMS.	Rev:	01
Part No:	SIEMENS PROTECTION DEVICES LTD.	Scale:	1:1
Proj No:	2436G40015	Author:	J.S.
Issue:	1	Check:	J.S.
Date:	08/02/15	Approved:	I.O.
Rev:	01	Part Spec:	10
Scale:	1:1	Proj No:	2436G40015
Author:	J.S.	Issue:	1
Check:	J.S.	Date:	08/02/15
Approved:	I.O.	Rev:	01
Part Spec:	10	Scale:	1:1
Proj No:	2436G40015	Author:	J.S.
Issue:	1	Check:	J.S.
Date:	08/02/15	Approved:	I.O.
Rev:	01	Part Spec:	10
Scale:	1:1	Proj No:	2436G40015
Author:	J.S.	Issue:	1
Check:	J.S.	Date:	08/02/15
Approved:	I.O.	Rev:	01
Part Spec:	10	Scale:	1:1
Proj No:	2436G40015	Author:	J.S.
Issue:	1	Check:	J.S.
Date:	08/02/15	Approved:	I.O.
Rev:	01	Part Spec:	10

Copyright © 2015 Siemens Protection Devices Ltd. Walsham