

**IF IN DOUBT ASK
DO NOT SCALE**

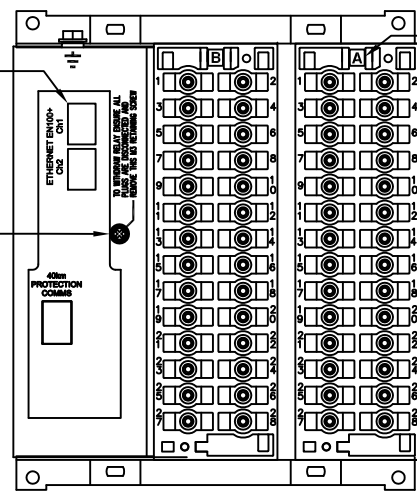
NOTES

- TERMINALS RECOMMENDED ARE PRE-INSULATED & MUST BE CRIMPED USING APPROVED TOOLING. AMP PIDG OR PLASTI GRIP FUNNEL ENTRY (RING TONGUE) FOR M4 FIXING STUD.
- | SUPPLIER | PART NUMBER | CABLE SIZE |
|----------|-------------|-------------------------|
| AMP | 342103 | 0.25-1.6mm ² |
| AMP | 342143 | 1.0-2.6mm ² |
- OR ANY OTHER MANUFACTURERS EQUIVALENT TERMINAL.
- FOR OUTLINE & PANEL DRILLING, SEE 2995X10004 (A4).
 - CONNECTIONS TO THIS COMMUNICATIONS FACILITY IS BY SCREENED, TWISTED PAIR CABLE, ON SITE. WHEN WIRING OTHER FACILITIES ENSURE THAT THESE TERMINALS ARE NOT OBSCURED BY OTHER WIRE RUNS.
 - CONTACTS SHOWN THUS ARE INTERNAL RELAY CASE ASSEMBLY CONTACTS AND CLOSE WHEN THE RELAY CHASSIS IS WITHDRAWN FROM THE CASE.
 - FOR THE RELAY CASE ASSEMBLY SEE 2436G40034

ETHERNET COMMS INPUT CONNECTORS

TO WITHDRAW RELAY ENSURE ALL PLUGS ARE DISCONNECTED AND REMOVE THIS M3 RETAINING SCREW

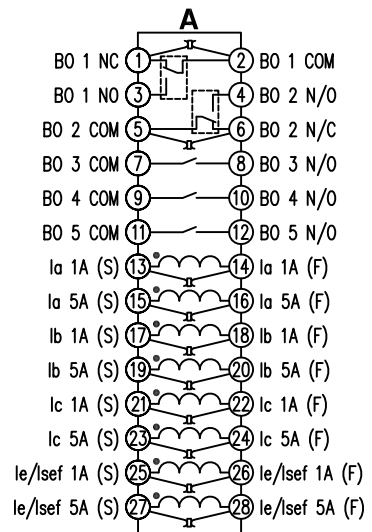
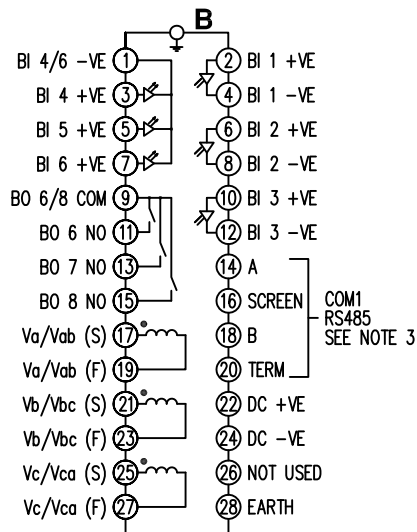
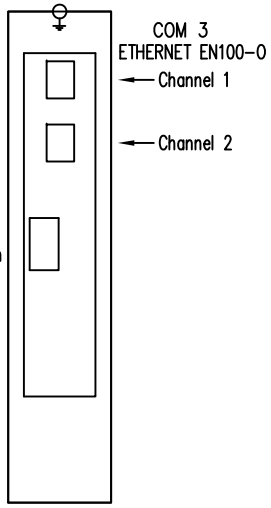
FIT A TERMINAL IDENTITY LABEL TO EACH TERMINAL BLOCK IN THE POSITION SHOWN



RELAY VIEWED FROM REAR

NOT SUBJECT TO UPDATE
ONCE COPIED / PRINTED
OR DOWNLOADED

COMMS MODULE



ABBREVIATIONS	
I-	CURRENT INPUTS
BI-	BINARY INPUTS
BO-	BINARY OUTPUTS
CO-	CHANGE OVER BINARY OUTPUT CONTACTS
NO-	NORMALLY OPEN BINARY OUTPUT CONTACTS
NC-	NORMALLY CLOSED BINARY OUTPUT CONTACTS

COMMUNICATIONS IDENTIFICATION	
COM1	RS485 (ON BLOCK 'B' TERMINALS 14,16,18 & 20)
COM2	USB TYPE 'B' PORT (ON RELAY FRONT LABEL)
COM3	ETHERNET(x2) PORTS (ON REAR COMMS MODULE)
COM4	FIBRE OPTIC LC CONNECTOR (ON REAR COMMS MODULE)

MATERIAL:

Dimensions in millimetres : Surface texture in micrometres.
Machine where marked ✓
For explanation of dimensions, tolerances, notes etc. see B.S.308.
Limit on untoleranced unmachined dimensions ± _____
Limits on untoleranced machined dimensions to B.S.4500;
i.e. up to 6±0.1; over 30 to 120±0.3; over 315±0.8;
over 6 to 30±0.2; over 120 to 315±0.5;
General unmachined angular tolerance ± _____

Finish: _____
Treatment: _____

Title: **TERMINAL ID & WIRING DIAGRAM FOR 7SR1 PLATFORM
4CT+3VT+6BI+8BO(2CO+6NO), F.O. 40Km EN100-0**

SIEMENS PROTECTION DEVICES LTD.

Original Scale: **NTS**

First used on: _____
Similar Articles: _____
Supersedes: _____
Drg. No. **2436W40034**

1	10/12/15	CHANGE NOTED
ISSUE	DATE	