

IF IN DOUBT ASK
DO NOT SCALE

NOTES

1) TERMINALS RECOMMENDED ARE PRE-INSULATED & MUST BE CRIMPED USING APPROVED TOOLING. AMP PIDG OR PLASTI GRIP FUNNEL ENTRY (RING TONGUE) FOR M4 FIXING STUD.

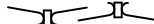
| SUPPLIER | PART NUMBER | CABLE SIZE |
|----------|-------------|-------------------------|
| AMP | 342103 | 0.25-1.6mm ² |
| AMP | 342143 | 1.0-2.6mm ² |

OR ANY OTHER MANUFACTURERS EQUIVALENT TERMINAL.

2) FOR OUTLINE & PANEL DRILLING, SEE 2995X10004 (A4).

3) CONNECTIONS TO THIS COMMUNICATIONS FACILITY IS BY SCREENED, TWISTED PAIR CABLE, ON SITE. WHEN WIRING OTHER FACILITIES ENSURE THAT THESE TERMINALS ARE NOT OBSCURED BY OTHER WIRE RUNS.

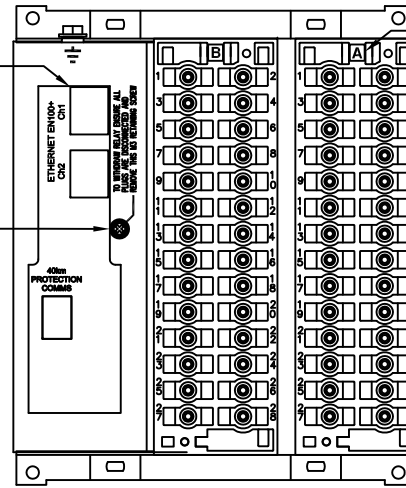
4) CONTACTS SHOWN THUS



ARE INTERNAL RELAY CASE ASSEMBLY CONTACTS AND CLOSE WHEN THE RELAY CHASSIS IS WITHDRAWN FROM THE CASE.

5) FOR THE RELAY CASE ASSEMBLY SEE 2436G40027

ETHERNET COMMS
INPUT CONNECTORS



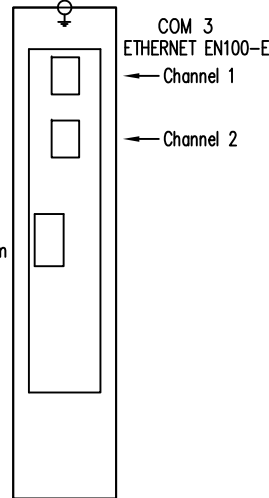
FIT A TERMINAL IDENTITY LABEL TO EACH TERMINAL BLOCK IN THE POSITION SHOWN

TO WITHDRAW RELAY ENSURE ALL PLUGS ARE DISCONNECTED AND REMOVE THIS M3 RETAINING SCREW

RELAY VIEWED FROM REAR

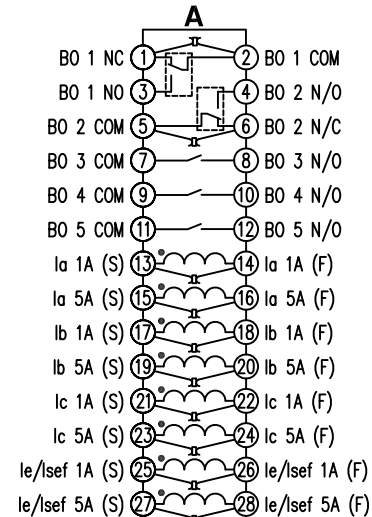
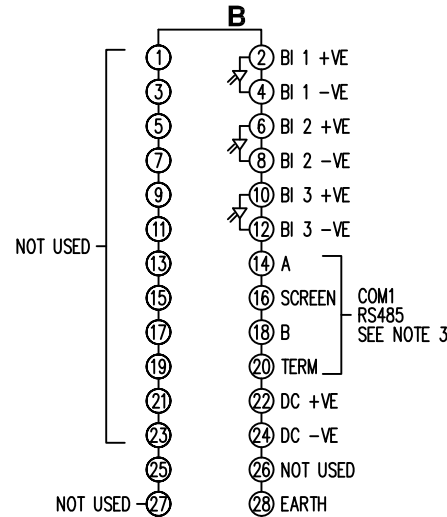
NOT SUBJECT TO UPDATE
ONCE COPIED / PRINTED
OR DOWNLOADED

**COMMS
MODULE**



| ABBREVIATIONS | |
|---------------|--|
| I- | CURRENT INPUTS |
| BI- | BINARY INPUTS |
| BO- | BINARY OUTPUTS |
| CO- | CHANGE OVER BINARY OUTPUT CONTACTS |
| NO- | NORMALLY OPEN BINARY OUTPUT CONTACTS |
| NC- | NORMALLY CLOSED BINARY OUTPUT CONTACTS |

| COMMUNICATIONS IDENTIFICATION | |
|-------------------------------|---|
| COM1 | RS485 (ON BLOCK 'B' TERMINALS 14,16,18 & 20) |
| COM2 | USB TYPE 'B' PORT (ON RELAY FRONT LABEL) |
| COM3 | ETHERNET(x2) PORTS (ON REAR COMMS MODULE) |
| COM4 | FIBRE OPTIC LC CONNECTOR (ON REAR COMMS MODULE) |



MATERIAL:

Dimensions in millimetres ; Surface texture in micrometres.
Machine where marked ✓
For explanation of dimensions, tolerances, notes etc. see B.S.308.
Limit on untoleranced unmachined dimensions ± _____
Limits on untoleranced machined dimensions to B.S.4500;
i.e. up to 6±0.1; over 30 to 120±0.3; over 315±0.8;
over 6 to 30±0.2; over 120 to 315±0.5;
General unmachined angular tolerance ± _____

Finish: _____
Treatment: _____

Title:
TERMINAL ID & WIRING DIAGRAM FOR 7SR1 PLATFORM
4CT+3BI+5BO(2CO+3NO), F.O. 40Km EN100-E

SIEMENS PROTECTION DEVICES LTD.

Original Scale:
NTS

First used on: _____
Similar Articles: _____
Supersedes: _____
Drg. No.
2436W40027

Copyright © 2015 Siemens Protection Devices Ltd. Hebburn

| | | |
|-------|----------|--------------|
| 1 | 09/12/15 | CHANGE NOTED |
| ISSUE | DATE | |