

IF IN DOUBT ASK
DO NOT SCALE

NOTES

- 1) TERMINALS RECOMMENDED ARE PRE-INSULATED & MUST BE CRIMPED USING APPROVED TOOLING. AMP PIDG OR PLASTI GRIP FUNNEL ENTRY (RING TONGUE) FOR M4 FIXING STUD.

SUPPLIER	PART NUMBER	CABLE SIZE
AMP	342103	0.25-1.6mm ²
AMP	342143	1.0-2.6mm ²

OR ANY OTHER MANUFACTURERS EQUIVALENT TERMINAL.

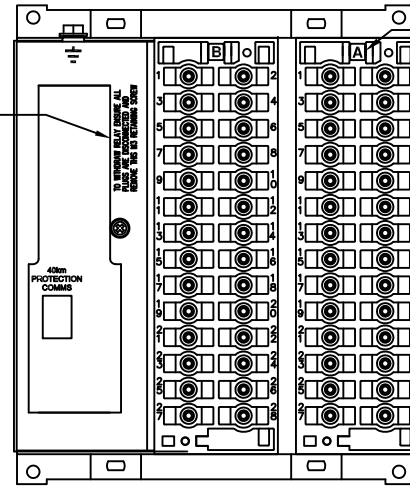
- 2) FOR OUTLINE & PANEL DRILLING, SEE 2995X10004 (A4).

- 3) CONNECTIONS TO THIS COMMUNICATIONS FACILITY IS BY SCREENED, TWISTED PAIR CABLE, ON SITE. WHEN WIRING OTHER FACILITIES ENSURE THAT THESE TERMINALS ARE NOT OBSCURED BY OTHER WIRE RUNS.

- 4) CONTACTS SHOWN THUS  ARE INTERNAL RELAY CASE ASSEMBLY CONTACTS AND CLOSE WHEN THE RELAY CHASSIS IS WITHDRAWN FROM THE CASE.

- 5) FOR THE RELAY CASE ASSEMBLY SEE 2436G40022

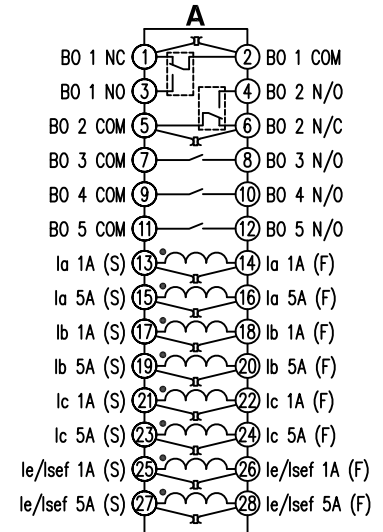
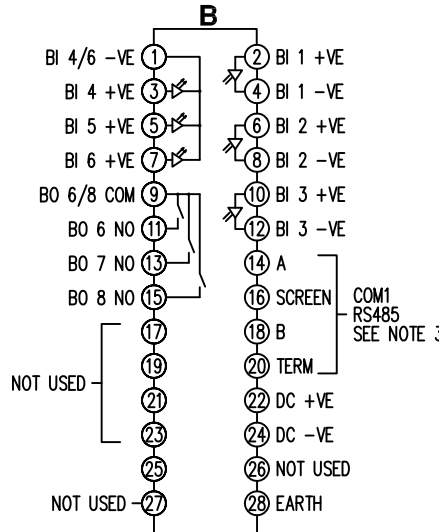
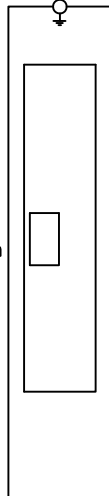
TO WITHDRAW RELAY ENSURE ALL PLUGS ARE DISCONNECTED AND REMOVE THIS M3 RETAINING SCREW



RELAY VIEWED FROM REAR

NOT SUBJECT TO UPDATE
ONCE COPIED / PRINTED
OR DOWNLOADED

COMMS MODULE



ABBREVIATIONS	
I-	CURRENT INPUTS
BI-	BINARY INPUTS
BO-	BINARY OUTPUTS
CO-	CHANGE OVER BINARY OUTPUT CONTACTS
NO-	NORMALLY OPEN BINARY OUTPUT CONTACTS
NC-	NORMALLY CLOSED BINARY OUTPUT CONTACTS

COMMUNICATIONS IDENTIFICATION	
COM1	RS485 (ON BLOCK 'B' TERMINALS 14,16,18 & 20)
COM2	USB TYPE 'B' PORT (ON RELAY FRONT LABEL)
COM3	FIBRE OPTIC LC CONNECTOR (ON REAR COMMS MODULE)

COM 3
FIBRE OPTIC 40km

1	03/12/15	CHANGE NOTED
ISSUE	DATE	

MATERIAL:

Dimensions in millimetres : Surface texture in micrometres.
Machine where marked ✓
For explanation of dimensions, tolerances, notes etc. see B.S.308.
Limit on untoleranced unmachined dimensions ± _____
Limits on untoleranced machined dimensions to B.S.4500;
i.e. up to 6±0.1; over 30 to 120±0.3; over 315±0.8;
over 6 to 30±0.2; over 120 to 315±0.5;
General unmachined angular tolerance ± _____

Finish: _____
Treatment: _____

Title:
TERMINAL ID & WIRING DIAGRAM FOR 7SR1 PLATFORM
4CT+6BI+8BO(2CO+6NO), F.O. 40km

Original Scale:
NTS

SIEMENS PROTECTION DEVICES LTD.

First used on: _____
Similar Articles: _____
Supersedes: _____
Drg. No.
2436W40022