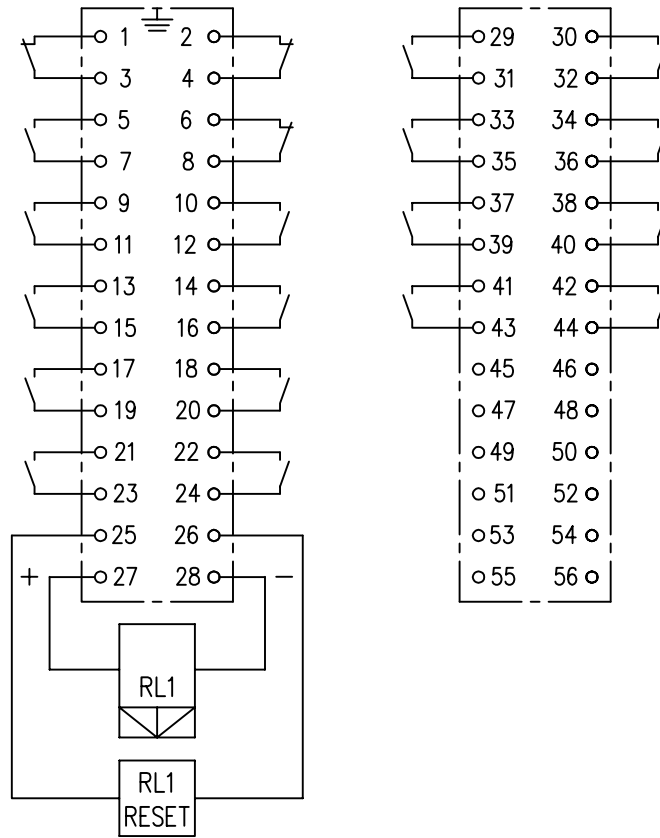


LOOKING ON REAR OF RELAY

2112W50162



- KEY**
- make contact
  - break contact
  - c/o contact
  - ext. conn
  - plug bridge - shorting
  - metering point
  - 5Kv barrier
  - test socket - shorting
  - plug & socket

**NOT SUBJECT TO UPDATE  
ONCE COPIED / PRINTED  
OR DOWNLOADED**

**FRAME TERMINAL BLOCK ASSY:-**

ASSEMBLY INSTRUCTIONS:-  
TYPICAL ASSEMBLY DRAWING 2995G10032.  
AT INDICATED POSITIONS FIT AS FOLLOWS:  
T - FIT TRIP ISOLATION CONTACT 2995B10053  
S - FIT STANDARD CONTACT 2995B10054  
SECURE CONTACTS USING FIXING SCREW 2109F99009.  
POSITIONS SHOWN BLANK ARE UNUSED

|    |   |   |    |    |   |   |    |
|----|---|---|----|----|---|---|----|
| 30 | T | T | 29 | 2  | T | T | 1  |
| 32 | T | T | 31 | 4  | T | T | 3  |
| 34 | T | T | 33 | 6  | T | T | 5  |
| 36 | T | T | 35 | 8  | T | T | 7  |
| 38 | T | T | 37 | 10 | T | T | 9  |
| 40 | T | T | 39 | 12 | T | T | 11 |
| 42 | T | T | 41 | 14 | T | T | 13 |
| 44 | T | T | 43 | 16 | T | T | 15 |
| 46 |   |   | 45 | 18 | T | T | 17 |
| 48 |   |   | 47 | 20 | T | T | 19 |
| 50 |   |   | 49 | 22 | T | T | 21 |
| 52 |   |   | 51 | 24 | T | T | 23 |
| 54 |   |   | 53 | 26 | S | S | 25 |
| 56 |   |   | 55 | 28 | S | S | 27 |

VIEW FROM NUMBERED SIDE OF BLOCK

**OUTER TERMINAL BLOCK ASSY:-**

ASSEMBLY INSTRUCTIONS:-  
TYPICAL ASSEMBLY DRAWING 2995G10029.  
AT INDICATED POSITIONS FIT AS FOLLOWS:  
S - FIT STANDARD CONTACT 2995B10051  
HC - FIT 'HEAVY CURRENT' KIT 2995G10030  
WHERE IS SHOWN FIT CT SHORTING KIT 2995G10031  
POSITIONS SHOWN BLANK ARE UNUSED.  
ALL POSITIONS FIT SCREW 2106F12506.

|    |   |   |    |    |   |   |    |
|----|---|---|----|----|---|---|----|
| 30 | S | S | 29 | 2  | S | S | 1  |
| 32 | S | S | 31 | 4  | S | S | 3  |
| 34 | S | S | 33 | 6  | S | S | 5  |
| 36 | S | S | 35 | 8  | S | S | 7  |
| 38 | S | S | 37 | 10 | S | S | 9  |
| 40 | S | S | 39 | 12 | S | S | 11 |
| 42 | S | S | 41 | 14 | S | S | 13 |
| 44 | S | S | 43 | 16 | S | S | 15 |
| 46 |   |   | 45 | 18 | S | S | 17 |
| 48 |   |   | 47 | 20 | S | S | 19 |
| 50 |   |   | 49 | 22 | S | S | 21 |
| 52 |   |   | 51 | 24 | S | S | 23 |
| 54 |   |   | 53 | 26 | S | S | 25 |
| 56 |   |   | 55 | 28 | S | S | 27 |

VIEW FROM INSIDE FACE

Copyright © 2004 VATECH REYROLLE ACP Ltd. Hebburn

|            |                  |                     |   |  |
|------------|------------------|---------------------|---|--|
|            |                  |                     | Title:<br><b>TERM. BLOCK &amp; WIRING DIAG. FOR 17M3B EL/HAND RESET TRIP RELAY IN E4 CASE</b> | First used on:   |
|            |                  |                     |   | Similar Articles:  |
|            |                  |                     |   | Supersedes:  |
|            |                  |                     | <b>VATECH REYROLLE</b><br><b>AUTOMATION, CONTROL &amp; PROTECTION</b>                         | Drg.No.<br><span style="font-size: 2em;">2112W50162</span> |
| 1<br>ISSUE | 22/06/04<br>DATE | MOD.No.             | Original Scale.<br>.  |  |
| DRAWN: RDW | CHECKED: RDW     | APPROVED: RD.WATSON | DATE: 22/06/04  | IE:  |
|            |                  |                     |   | OPS:   |