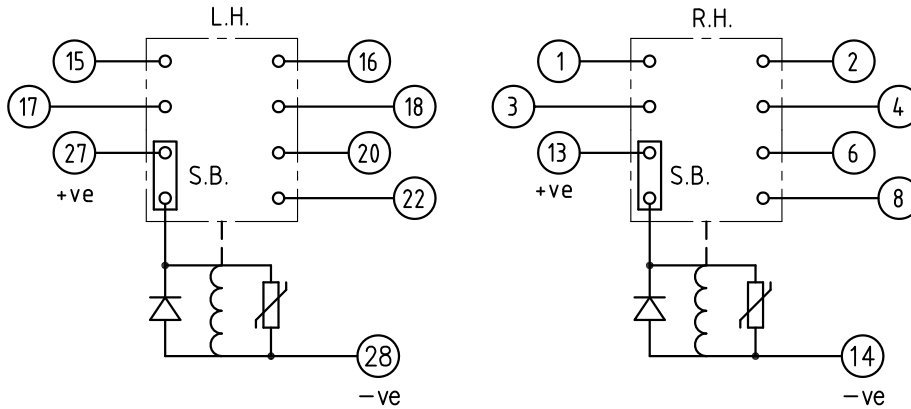


LOOKING ON FRONT OF RELAY



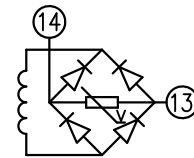
NOT SUBJECT TO UPDATE  
ONCE COPIED / PRINTED  
OR DOWNLOADED

KEY

- make contact
- break contact
- c/o contact
- ext. conn
- plug bridge - shorting
- metering point
- 5Kv barrier
- test socket - shorting
- plug & socket

CONTACT CONFIG.	OUTPUT CONTACT PAIR / TERMINAL No.					
R.H. →	1-3	2-4	5-7	6-8	9-11	10-12
L.H. →	15-17	16-18	19-21	20-22	23-25	24-26
3M 1SB	M	M		M		
2M 1B 1SB	M	B		M		
1M 2B 1SB	B	B		M		
3B 1SB	B	B		B		

NOTE: WHEN RECTIFIER IS SPECIFIED COIL CONNS. ARE AS SHOWN.



FRAME REFERENCE: E4FS09.

FRAME TERMINAL BLOCK ASSY: -

ASSEMBLY INSTRUCTIONS: -  
TYPICAL ASSEMBLY DRAWING 2995G10032.  
AT INDICATED POSITIONS FIT AS FOLLOWS:  
T - FIT TRIP ISOLATION CONTACT 2995B10053  
S - FIT STANDARD CONTACT 2995B10054  
SECURE CONTACTS USING FIXING SCREW 2109F99009.  
POSITIONS SHOWN BLANK ARE UNUSED

2	T	T	1
4	T	T	3
6	T		5
8	T		7
10			9
12			11
14	S	S	13
16	T	T	15
18	T	T	17
20	T		19
22	T		21
24			23
26			25
28	S	S	27

VIEW FROM NUMBERED SIDE OF BLOCK

OUTER TERMINAL BLOCK ASSY: -

ASSEMBLY INSTRUCTIONS: -  
TYPICAL ASSEMBLY DRAWING 2995G10029.  
AT INDICATED POSITIONS FIT AS FOLLOWS:  
S - FIT STANDARD CONTACT 2995B10051  
HC - FIT 'HEAVY CURRENT' KIT 2995G10030  
WHERE IS SHOWN FIT CT SHORTING KIT 2995G10031  
POSITIONS SHOWN BLANK ARE UNUSED.  
ALL POSITIONS FIT SCREW 2106F12506.

2	S	S	1
4	S	S	3
6	S		5
8	S		7
10			9
12			11
14	S	S	13
16	S	S	15
18	S	S	17
20	S		19
22	S		21
24			23
26			25
28	S	S	27

VIEW FROM INSIDE FACE

1	10/11/16	MOD.No.	Title: T.B. & W.D. FOR AR212SBD 4 CONTACT RELAYS IN E4 CASE		First used on:
			SIEMENS PROTECTION DEVICES LTD.		Similar Articles:
ISSUE	DATE	MOD.No.	Original Scale:	Drg.No. <b>2112W50252</b>	
DRAWN: J. SPOWART	CHECKED:	APPROVED: N.C	DATE: 14/11/2016	IE:	OPS:

