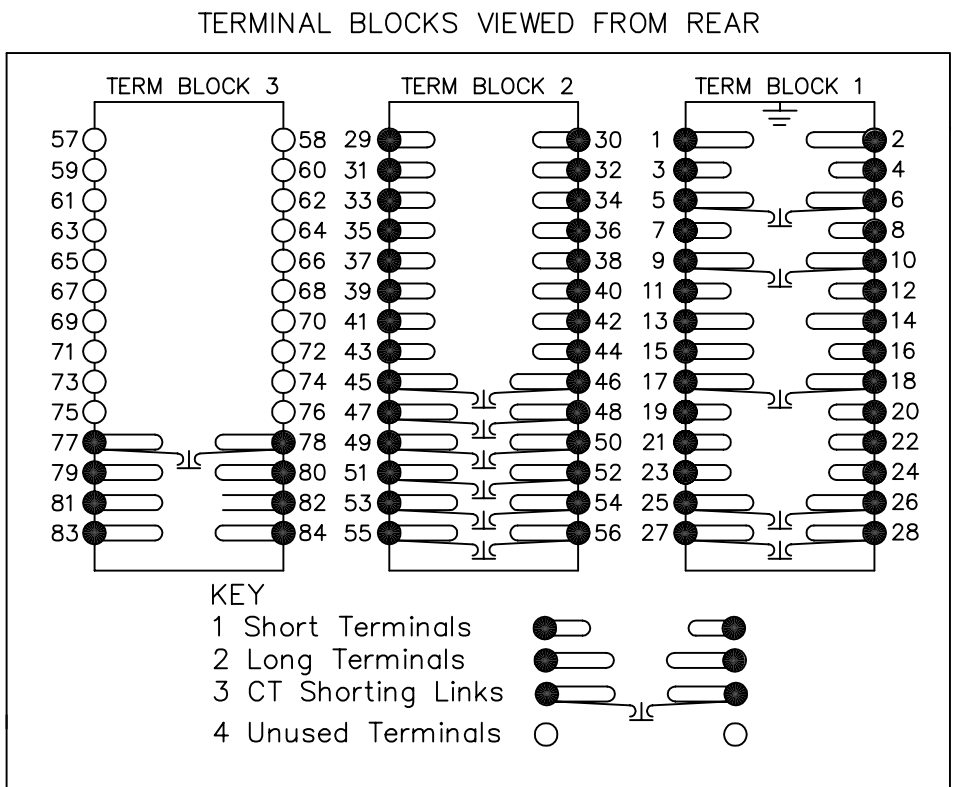
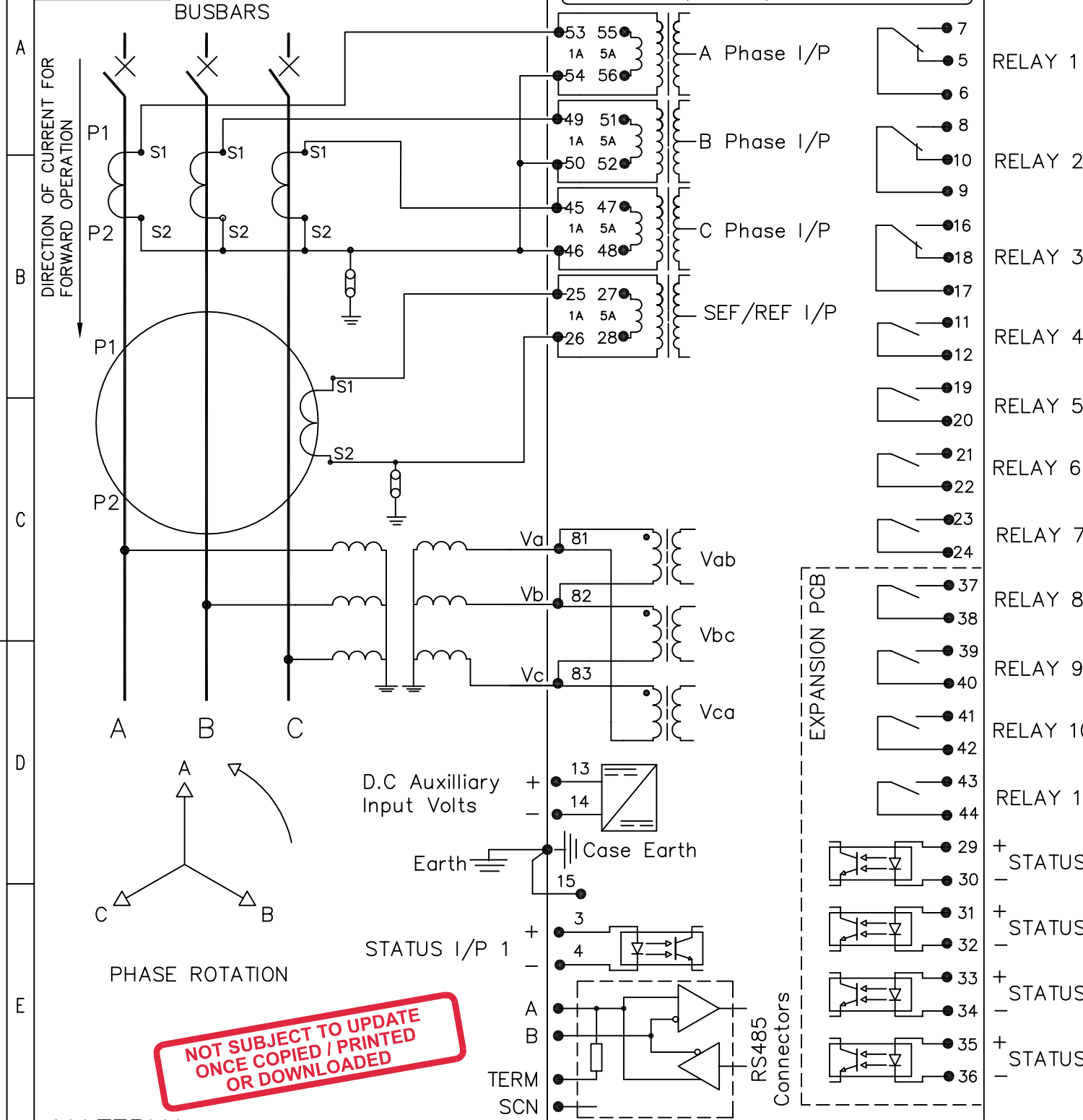


IF IN DOUBT ASK
DO NOT SCALE



- NOTES**
1. CT CIRCUITS ARE SHOWN CONNECTED TO RELAY 1 AMP TAP. USE ALTERNATIVE TAP FOR 5AMP RATED CTs.
 2. CT & EARTH CONNECTIONS ARE TYPICAL ONLY.
 3. METROSIL & SETTING RESISTORS ARE REQUIRED FOR HIGH IMPEDANCE & RESTRICTED EARTH FAULT APPLICATIONS.
 4. FOR TERMINAL DIAGRAM SEE 2434W50010 (A2).
 5. DRG SHOWS OPTION B (11 OUTPUTS, 5 INPUTS).

**NOT SUBJECT TO UPDATE
ONCE COPIED / PRINTED
OR DOWNLOADED**

MATERIAL:

Dimensions in millimetres : Surface texture in micrometres. Machine where marked ✓ For explanation of dimensions, tolerances, notes etc. see B.S.308. Limit on untoleranced unmachined dimensions ± _____ Limits on untoleranced machined dimensions to B.S.4500; i.e. up to 6±0.1; over 30 to 120±0.3; over 315±0.8; over 6 to 30±0.2; over 120 to 315±0.5; General unmachined angular tolerance ± _____	Finish: _____	Title: TYPICAL SCHEMATIC DIAGRAM 3PH(DIR)+SEF/REF E8 110/P+5I/P RS485 ARGUS 2 NUMERIC OVERCURRENT PROTECTION	First used on: _____ Similar Articles: 2434W10073 Supersedes: _____
	Treatment: _____	SIEMENS PROTECTION DEVICES LTD.	Original Scale: NTS