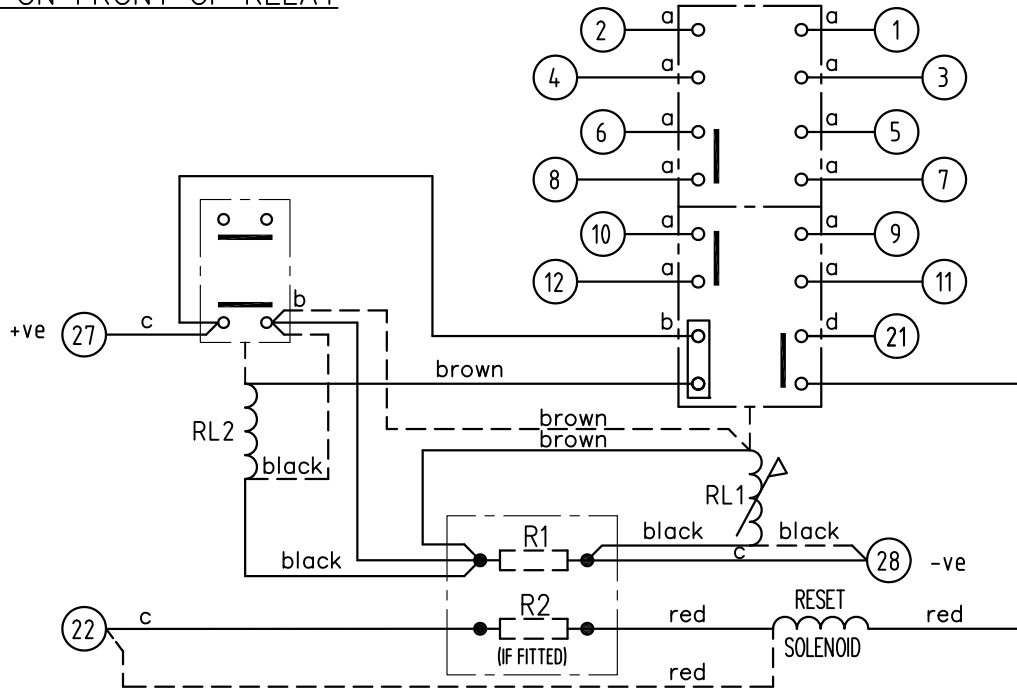


LOOKING ON FRONT OF RELAY

2112W50041



**NOT SUBJECT TO UPDATE  
ONCE COPIED / PRINTED  
OR DOWNLOADED**

ASSEMBLY WIRES USED	
a	2107B10001 12 OFF
b	2107D10169 2 OFF
c	2107D10165 3 OFF
d	2107B10003 1 OFF

RESET KIT	REFER	SOLKIT: 36V	REFER
FL2 COIL	TO	2112G20031	TO
RL1 COIL	ENGINEERING	2112G20020	ENGINEERING
R2	6R8 2102C15687		
R1	390R 2102C35391	2X100R IN SERIES 2102C41101	
Vdc	24 30 48 60	125	240

- KEY**
- make contact
  - break contact
  - c/o contact
  - ext. conn
  - plug bridge - shorting
  - metering point
  - 5Kv barrier
  - test socket - shorting
  - plug & socket

CONTACT CONFIG.	OUTPUT CONTACT PAIR / TERMINAL No.					
	1-3	2-4	5-7	6-8	9-11	10-12
6M	M	M	M	M	M	M
5M 1B	M	B	M	M	M	M
4M 2B	B	B	M	M	M	M
3M 3B	B	B	B	M	M	M
2M 4B	B	B	B	M	B	M

**NOTE:**

- CONTACT CONFIGURATION ABOVE IS REQUIRED FOR RELAY OPERATION. FOR DETAILS OF VARIABLE CONTACT OPTIONS SEE TABLE OPPOSITE.
- RESISTOR R1 IS FITTED ONLY WHEN REQUIRED. SEE TABLE ABOVE.
- DASHED LINE --- SHOWS CONNECTIONS WHEN RESISTORS ARE NOT FITTED.

FRAME REFERENCE: E4FS05.  
 FRAME TERMINAL BLOCK ASSY: -  
 ASSEMBLY INSTRUCTIONS: -  
 TYPICAL ASSEMBLY DRAWING 2995G10032.  
 AT INDICATED POSITIONS FIT AS FOLLOWS:  
 T - FIT TRIP ISOLATION CONTACT 2995B10053  
 S - FIT STANDARD CONTACT 2995B10054  
 SECURE CONTACTS USING FIXING SCREW 2109F99009.  
 POSITIONS SHOWN BLANK ARE UNUSED

2	T	T	1
4	T	T	3
6	T	T	5
8	T	T	7
10	T	T	9
12	T	T	11
14			13
16			15
18			17
20			19
22	S	S	21
24			23
26			25
28	S	S	27

VIEW FROM NUMBERED SIDE OF BLOCK

OUTER TERMINAL BLOCK ASSY: -  
 ASSEMBLY INSTRUCTIONS: -  
 TYPICAL ASSEMBLY DRAWING 2995G10029.  
 AT INDICATED POSITIONS FIT AS FOLLOWS:  
 S - FIT STANDARD CONTACT 2995B10051  
 HC - FIT 'HEAVY CURRENT' KIT 2995G10030  
 WHERE IS SHOWN FIT CT SHORTING KIT 2995G10031  
 POSITIONS SHOWN BLANK ARE UNUSED.  
 ALL POSITIONS FIT SCREW 2106F12506.

2	S	S	1
4	S	S	3
6	S	S	5
8	S	S	7
10	S	S	9
12	S	S	11
14			13
16			15
18			17
20			19
22	S	S	21
24			23
26			25
28	S	S	27

VIEW FROM INSIDE FACE

7 N.C. 03/06/16 322000105 I.D.			Title: T.B. AND WIRING DIAGRAM FOR 7PG15243 (TR243) 6 CONTACT RELAYS IN E4 CASE		First used on:	
6 RDW 12/04/12 MN112/3514 JB			SIEMENS PROTECTION DEVICES LTD.		Similar Articles:	
5 07/12/09 MN112/3223					Supersedes:	
ISSUE DATE MOD.No.			Original Scale:		Drg.No. <b>2112W50041</b>	
DRAWN: A.LAW.		CHECKED: RD.WATSON		APPROVED: RD.WATSON		DATE: 08/12/2009
				IE:		OPS: