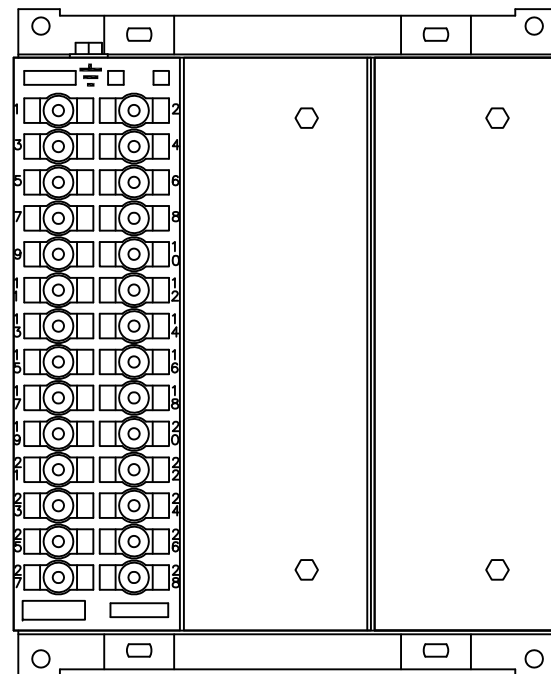


IF IN DOUBT ASK
DO NOT SCALE



RELAY VIEWED FROM REAR

NOTES

1) TERMINALS RECOMMENDED ARE PRE-INSULATED & MUST BE CRIMPED USING APPROVED TOOLING. AMP PIDG OR PLASTI GRIP FUNNEL ENTRY (RING TONGUE) FOR M4 FIXING STUD.

SUPPLIER	PART NUMBER	CABLE SIZE
AMP	342103	0.25-1.6mm ²
AMP	342143	1.0-2.6mm ²

OR ANY OTHER MANUFACTURERS EQUIVALENT TERMINAL.

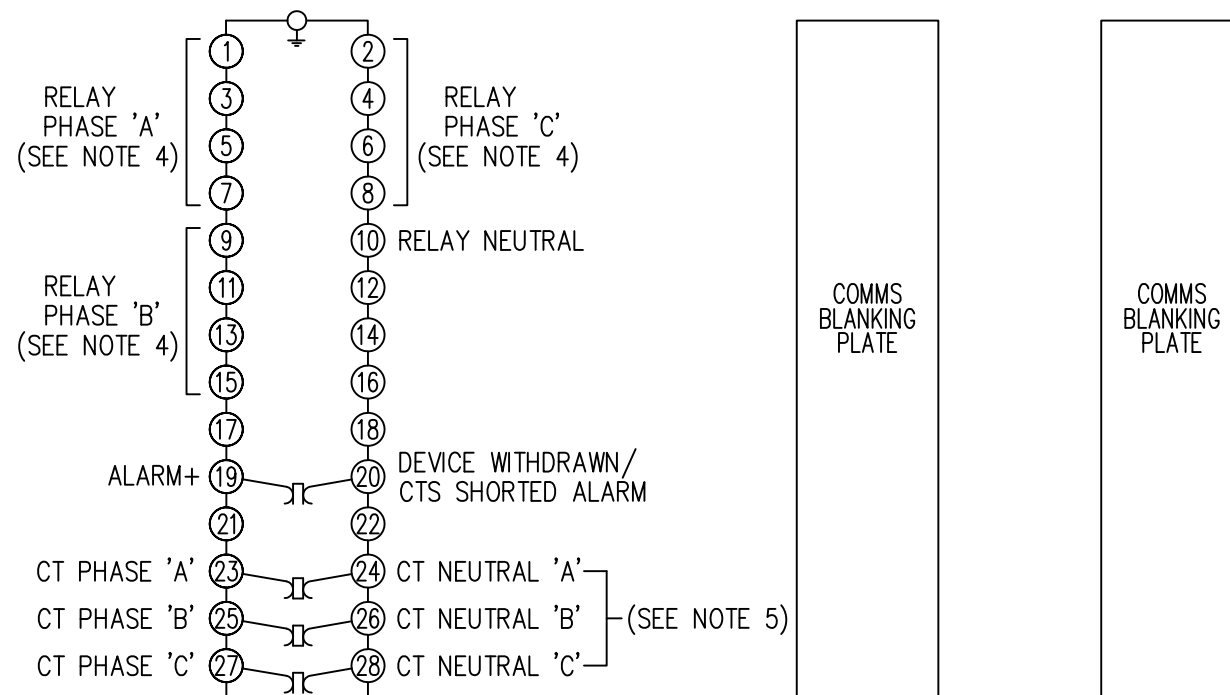
2) FOR OUTLINE & PANEL DRILLING, SEE 2995X10006 (A4).

3) CONTACTS SHOWN THUS  ARE INTERNAL RELAY CASE ASSEMBLY CONTACTS AND CLOSE WHEN THE RELAY CHASSIS IS WITHDRAWN FROM THE CASE.

4) FOR SPECIFIC RELAY CONNECTIONS, SEE 7XG1520-3AA00-OAAO CATALOGUE SHEET.

5) WHEN MODULE IS INSERTED THESE TERMINALS ARE COMMONED TOGETHER.

NOT SUBJECT TO UPDATE
ONCE COPIED / PRINTED
OR DOWNLOADED



MATERIAL:

Dimensions in millimetres : Surface texture in micrometres.
Machine where marked ✓
For explanation of dimensions, tolerances, notes etc. see B.S.308.
Limit on untoleranced unmachined dimensions ± _____
Limits on untoleranced machined dimensions to B.S.4500;
i.e. up to 6±0.1; over 30 to 120±0.3; over 315±0.8;
over 6 to 30±0.2; over 120 to 315±0.5;
General unmachined angular tolerance ± _____

Finish:

Treatment:

Title:

TERMINAL ID & WIRING DIAGRAM FOR HIGH IMPEDANCE
COMPONENT BOX, E6 CASE.

SIEMENS PROTECTION DEVICES LTD.

Original Scale.

NTS

First used on:

Similar Articles:

Supersedes:

Drq. No.

2414W40011

1	30/07/12	CHANGE	△
ISSUE	DATE	NOTED	

Copyright © 2012 Siemens Protection Devices Ltd. Hebburn